

# SDM630MCT 40mA Smart Power Sensor Quick Guide

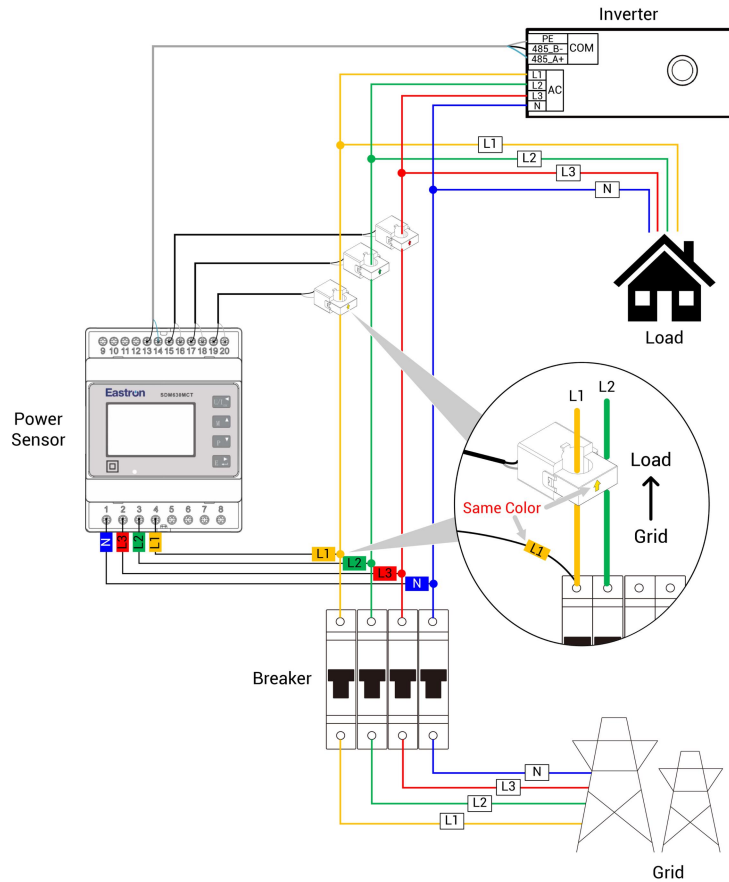


Please scan the QR code to obtain the electronic version of the quick guide and user manual



Add: No.52, Dongjin Road, Nanhu, Jiaxing, Zhejiang, 314001, China.  
Tel: 0086-573-83698881/83698882  
Fax: 0086-573-83698883  
Web: [www.eastron.com.cn](http://www.eastron.com.cn)

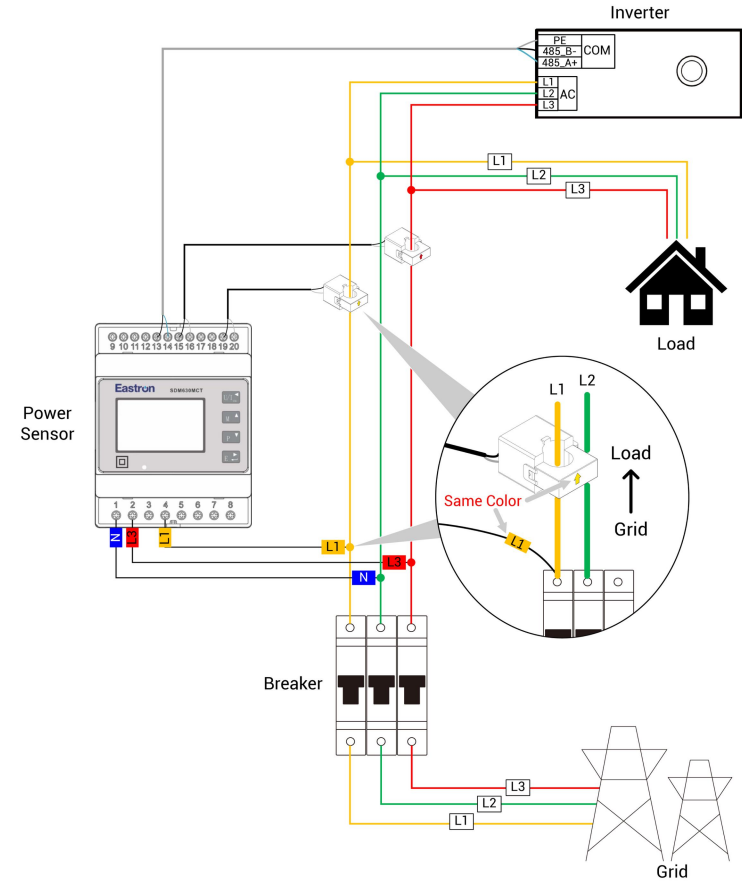
## Three-Phase Four-Wire (3P4W)



### Notes:

1. Power sensor has been pre-connected with CTs and voltage sampling wires, please check whether the wiring is tight before and after installation.
2. Please ensure that CT (Label) and voltage sampling wires ( Sleeve) on the same phase have the same color. Phase line and N line cannot be mixed.
3. Make sure the direction of the arrow on CT point from grid to load.
4. Power sensor requires circuit breaker for protection, otherwise the voltage sampling wires need to be connected with a fuse in each phase . Recommended fuse specification: 400Vac/1A

## Three-Phase Three-Wire (3P3W)



### Notes:

1. Power sensor has been pre-connected with CTs and wires, please check whether the wiring is tight before and after installation.
2. For the 3P3W grid, follow the steps below for installation:
  - Remove the CT (Port 17, 18) and voltage sampling wires (Port 3) of the L2 (Green) phase before wiring.
  - Install the CT and voltage sampling wires of L1 (Yellow) and L3 (Red) to two of the phase lines.
  - Connect N-phase (Blue) voltage sampling wires to the third phase line.
  - Make sure that the CT (Label) and voltage sampling wires ( Sleeve) on the same phase have the same color. Phase line and N line cannot be mixed.
3. Make sure the direction of the arrow on CT point from the grid to the load.
4. Power sensor requires circuit breaker for protection, otherwise the voltage sampling wires need to be connected with a fuse in each phase . Recommended fuse specification: 400Vac/1A