

**SUN5000-(17K, 25K)-MB0 Series**

# **User Manual**

**Issue**                    03  
**Date**                     2024-07-27



**Copyright © Huawei Digital Power Technologies Co., Ltd. 2024. All rights reserved.**

No part of this document may be reproduced or transmitted in any form or by any means without prior written consent of Huawei Digital Power Technologies Co., Ltd.

## **Trademarks and Permissions**



HUAWEI and other Huawei trademarks are the property of Huawei Technologies Co., Ltd.

All other trademarks and trade names mentioned in this document are the property of their respective holders.

## **Notice**

The purchased products, services and features are stipulated by the contract made between Huawei Digital Power Technologies Co., Ltd. and the customer. All or part of the products, services and features described in this document may not be within the purchase scope or the usage scope. Unless otherwise specified in the contract, all statements, information, and recommendations in this document are provided "AS IS" without warranties, guarantees or representations of any kind, either express or implied. The information in this document is subject to change without notice. Every effort has been made in the preparation of this document to ensure accuracy of the contents, but all statements, information, and recommendations in this document do not constitute a warranty of any kind, express or implied.

## **Huawei Digital Power Technologies Co., Ltd.**

Address: Huawei Digital Power Antuoshan Headquarters

Futian, Shenzhen 518043

People's Republic of China

Website: <https://e.huawei.com>

# About This Document

## Purpose

This document describes the following inverter models (also referred to as SUN5000) in terms of the safety precautions, product introduction, installation, electrical connections, power-on and commissioning, maintenance, and technical specifications. Read this document carefully before installing and operating the inverter.

- SUN5000-17K-MB0
- SUN5000-25K-MB0





## Intended Audience


This document is intended for:

- Installers
- Users

## Symbol Conventions

The symbols that may be found in this document are defined as follows.

| Symbol   | Description   |
|--|---|
|  <b>DANGER</b>  | Indicates a hazard with a high level of risk which, if not avoided, will result in death or serious injury.   |
|  <b>WARNING</b> | Indicates a hazard with a medium level of risk which, if not avoided, could result in death or serious injury.  |
|  <b>CAUTION</b> | Indicates a hazard with a low level of risk which, if not avoided, could result in minor or moderate injury.  |
|  <b>NOTICE</b>  | Indicates a potentially hazardous situation which, if not avoided, could result in equipment damage, data loss, performance deterioration, or unanticipated results.<br>NOTICE is used to address practices not related to personal injury. |

| Symbol   | Description   |
|--|---|
|  NOTE | Supplements the important information in the main text.<br>NOTE is used to address information not related to personal injury, equipment damage, and environment deterioration. |

## Change History

Changes between document issues are cumulative. The latest document issue contains all the changes made in earlier issues.

### Issue 03 (2024-07-27)

- Updated [2.3-Appearance](#).
- Updated [5.2-Preparing Cables](#).
- Updated [8.5-Replacing a Fan](#).

### Issue 02 (2024-06-21)

- Updated [2.3 Appearance](#).
- Updated [4.6 Installing an Inverter \(Wall Mounting\)](#).
- Updated [4.7 Installing an Inverter \(Support Mounting\)](#).
- Updated [5.2 Preparing Cables](#).
- Updated [7.1 Powering On the Inverter](#).
- Updated [8.2 System Power-Off](#).
- Updated [A Grid Codes](#).

### Issue 01 (2024-04-30)

This issue is the first official release.

---

# Contents

---

|  |           |
|--|-----------|
| <b>About This Document.....</b>                    | <b>ii</b> |
| <b>1 Safety Information.....</b>                   | <b>1</b>  |
| 1.1 Personal Safety.....                           | 2         |
| 1.2 Electrical Safety.....                         | 4         |
| 1.3 Environment Requirements.....                  | 7         |
| 1.4 Mechanical Safety.....                         | 8         |
| <b>2 Overview.....</b>                             | <b>13</b> |
| 2.1 Model Number Description.....                  | 13        |
| 2.2 Networking Application.....                    | 14        |
| 2.3 Appearance.....                                | 20        |
| 2.4 Working Modes.....                             | 22        |
| 2.5 Label Description.....                         | 24        |
| <b>3 Storage Requirements.....</b>                 | <b>26</b> |
| <b>4 Installation.....</b>                         | <b>27</b> |
| 4.1 Installation Modes.....                        | 27        |
| 4.2 Installation Requirements.....                 | 27        |
| 4.2.1 Site Selection Requirements.....             | 27        |
| 4.2.2 Clearance Requirements.....                  | 28        |
| 4.2.3 Angle Requirements.....                      | 29        |
| 4.3 Tools.....                                     | 30        |
| 4.4 Checking Before Installation.....              | 32        |
| 4.5 Moving an Inverter.....                        | 32        |
| 4.6 Installing an Inverter (Wall Mounting).....    | 33        |
| 4.7 Installing an Inverter (Support Mounting)..... | 35        |
| <b>5 Electrical Connections.....</b>               | <b>37</b> |
| 5.1 Precautions.....                               | 37        |
| 5.2 Preparing Cables.....                          | 38        |
| 5.3 Connecting a PE Cable.....                     | 42        |
| 5.4 Connecting an AC Output Power Cable.....       | 44        |
| 5.5 Connecting DC Input Power Cables.....          | 48        |
| 5.6 (Optional) Connecting Battery Cables.....      | 52        |

|  |            |
|--|------------|
| 5.7 Connecting Signal Cables.....  | 54         |
| 5.7.1 Connecting the RS485 Communications Cable (Inverter Cascading).....    | 57         |
| 5.7.2 Connecting RS485 Communications Cables (Power Meter).....              | 58         |
| 5.7.3 Connecting RS485 Communications Cables (Power Meter and Battery).....  | 64         |
| 5.7.4 Connecting RS485 Communications Cables (EMMA).....                     | 65         |
| 5.7.5 Connecting RS485 Communications Cables (EMMA and Battery).....         | 66         |
| 5.7.6 Connecting RS485 Communications Cables (SmartGuard).....               | 67         |
| 5.7.7 Connecting the Rapid shutdown signal cable.....                        | 68         |
| 5.7.8 Connecting the Grid Scheduling Signal Cable.....                       | 69         |
| 5.7.9 Connecting NS Protection Signal Cables.....                            | 71         |
| 5.8 (Optional) Installing the Smart Dongle and Anti-theft Components.....    | 72         |
| <b>6 Check Before Power-On.....</b>  | <b>75</b>  |
| <b>7 Power-On and Commissioning.....</b>                                     | <b>76</b>  |
| 7.1 Powering On the Inverter.....  | 76         |
| 7.2 Creating a Plant.....  | 81         |
| 7.2.1 Downloading the FusionSolar App.....                                   | 81         |
| 7.2.2 (Optional) Registering an Installer Account.....                       | 82         |
| 7.2.3 Deploying a New Plant.....   | 84         |
| 7.3 Commissioning Functions and Features.....                                | 86         |
| 7.3.1 Setting Common Parameters.....   | 86         |
| 7.3.2 (Optional) Setting the Physical Layout of the Smart PV Optimizers..... | 87         |
| 7.3.3 AFCI.....  | 88         |
| 7.4 Viewing the Plant Creation Status.....                                   | 90         |
| <b>8 System Maintenance.....</b>   | <b>91</b>  |
| 8.1 Routine Maintenance.....   | 91         |
| 8.2 System Power-Off.....  | 93         |
| 8.3 Troubleshooting.....   | 93         |
| 8.4 Replacing an Inverter.....   | 93         |
| 8.5 Replacing a Fan.....   | 94         |
| 8.6 Locating Insulation Resistance Faults.....                               | 95         |
| <b>9 Technical Specifications.....</b>                                       | <b>99</b>  |
| <b>A Grid Codes.....</b>   | <b>106</b> |
| <b>B Connecting the Inverter on the App.....</b>                             | <b>109</b> |
| <b>C Connecting the EMMA on the App.....</b>                                 | <b>113</b> |
| <b>D Resetting a Password.....</b>   | <b>117</b> |
| <b>E Rapid Shutdown.....</b>   | <b>118</b> |
| <b>F Baud Rate Negotiation.....</b>  | <b>120</b> |
| <b>G Contact Information.....</b>  | <b>123</b> |

---

|  |            |
|--|------------|
| <b>H Digital Power Customer Service.....</b>                 | <b>125</b> |
| <b>I Certificate Management and Maintenance.....</b>         | <b>126</b> |
| I.1 Preconfigured Certificate Risk Disclaimer.....           | 126        |
| I.2 Application Scenarios of Preconfigured Certificates..... | 127        |
| <b>J Acronyms and Abbreviations.....</b>                     | <b>128</b> |

# 1 Safety Information

---

## Statement

**Before transporting, storing, installing, operating, using, and/or maintaining the equipment, read this document, strictly follow the instructions provided herein, and follow all the safety instructions on the equipment and in this document.** In this document, "equipment" refers to the products, software, components, spare parts, and/or services related to this document; "the Company" refers to the manufacturer (producer), seller, and/or service provider of the equipment; "you" refers to the entity that transports, stores, installs, operates, uses, and/or maintains the equipment.

The **Danger, Warning, Caution, and Notice** statements described in this document do not cover all the safety precautions. You also need to comply with relevant international, national, or regional standards and industry practices. **The Company shall not be liable for any consequences that may arise due to violations of safety requirements or safety standards concerning the design, production, and usage of the equipment.**

The equipment shall be used in an environment that meets the design specifications. Otherwise, the equipment may be faulty, malfunctioning, or damaged, which is not covered under the warranty. The Company shall not be liable for any property loss, personal injury, or even death caused thereby.

Comply with applicable laws, regulations, standards, and specifications during transportation, storage, installation, operation, use, and maintenance.

Do not perform reverse engineering, decompilation, disassembly, adaptation, implantation, or other derivative operations on the equipment software. Do not study the internal implementation logic of the equipment, obtain the source code of the equipment software, violate intellectual property rights, or disclose any of the performance test results of the equipment software.

**The Company shall not be liable for any of the following circumstances or their consequences:**

- The equipment is damaged due to force majeure such as earthquakes, floods, volcanic eruptions, debris flows, lightning strikes, fires, wars, armed conflicts, typhoons, hurricanes, tornadoes, and other extreme weather conditions.
- The equipment is operated beyond the conditions specified in this document.



- The equipment is installed or used in environments that do not comply with international, national, or regional standards.
- The equipment is installed or used by unqualified personnel.
- You fail to follow the operation instructions and safety precautions on the product and in the document.
- You remove or modify the product or modify the software code without authorization.
- You or a third party authorized by you cause the equipment damage during transportation.
- The equipment is damaged due to storage conditions that do not meet the requirements specified in the product document.
- You fail to prepare materials and tools that comply with local laws, regulations, and related standards.
- The equipment is damaged due to your or a third party's negligence, intentional breach, gross negligence, or improper operations, or other reasons not related to the Company.

## 1.1 Personal Safety

---

 **DANGER**

Ensure that power is off during installation. Do not install or remove a cable with power on. Transient contact between the core of the cable and the conductor will generate electric arcs or sparks, which may cause a fire or personal injury.

---

---

 **DANGER**

Non-standard and improper operations on the energized equipment may cause fire, electric shocks, or explosion, resulting in property damage, personal injury, or even death.

---

---

 **DANGER**

Before operations, remove conductive objects such as watches, bracelets, bangles, rings, and necklaces to prevent electric shocks.

---

---

 **DANGER**

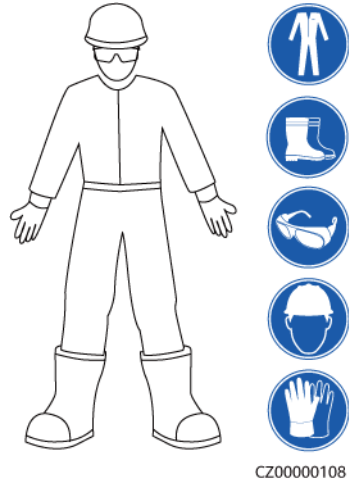
During operations, use dedicated insulated tools to prevent electric shocks or short circuits. The dielectric withstanding voltage level must comply with local laws, regulations, standards, and specifications.

---

 **WARNING**

During operations, wear personal protective equipment such as protective clothing, insulated shoes, goggles, safety helmets, and insulated gloves.

**Figure 1-1** Personal protective equipment



## General Requirements

- Do not stop protective devices. Pay attention to the warnings, cautions, and related precautionary measures in this document and on the equipment.
- If there is a likelihood of personal injury or equipment damage during operations, immediately stop, report the case to the supervisor, and take feasible protective measures.
- Do not power on the equipment before it is installed or confirmed by professionals.
- Do not touch the power supply equipment directly or with conductors such as damp objects. Before touching any conductor surface or terminal, measure the voltage at the contact point to ensure that there is no risk of electric shock.
- Do not touch operating equipment because the enclosure is hot.
- Do not touch a running fan with your hands, components, screws, tools, or boards. Otherwise, personal injury or equipment damage may occur.
- In the case of a fire, immediately leave the building or the equipment area and activate the fire alarm or call emergency services. Do not enter the affected building or equipment area under any circumstances.

## Personnel Requirements

- Only professionals and trained personnel are allowed to operate the equipment.
  - Professionals: personnel who are familiar with the working principles and structure of the equipment, trained or experienced in equipment operations and are clear of the sources and degree of various potential hazards in equipment installation, operation, maintenance

- Trained personnel: personnel who are trained in technology and safety, have required experience, are aware of possible hazards on themselves in certain operations, and are able to take protective measures to minimize the hazards on themselves and other people
- Personnel who plan to install or maintain the equipment must receive adequate training, be able to correctly perform all operations, and understand all necessary safety precautions and local relevant standards.
- Only qualified professionals or trained personnel are allowed to install, operate, and maintain the equipment.
- Only qualified professionals are allowed to remove safety facilities and inspect the equipment.
- Personnel who will perform special tasks such as electrical operations, working at heights, and operations of special equipment must possess the required local qualifications.
- Only authorized professionals are allowed to replace the equipment or components (including software).
- Only personnel who need to work on the equipment are allowed to access the equipment.

## 1.2 Electrical Safety

---

 **DANGER**

Before connecting cables, ensure that the equipment is intact. Otherwise, electric shocks or fire may occur.

---

---

 **DANGER**

Non-standard and improper operations may result in fire or electric shocks.

---

---

 **DANGER**

Prevent foreign matter from entering the equipment during operations. Otherwise, equipment short-circuits or damage, load power derating, power failure, or personal injury may occur.

---

---

 **WARNING**

For the equipment that needs to be grounded, install the ground cable first when installing the equipment and remove the ground cable last when removing the equipment.

---

---

 **WARNING**

During the installation of PV strings and the inverter, the positive or negative terminals of PV strings may be short-circuited to ground if the power cables are not properly installed or routed. In this case, an AC or DC short circuit may occur and damage the inverter. The resulting device damage is not covered under any warranty.

---

---

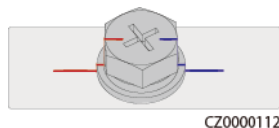
 **CAUTION**

Do not route cables near the air intake or exhaust vents of the equipment.

---

## General Requirements

- Follow the procedures described in the document for installation, operation, and maintenance. Do not reconstruct or alter the equipment, add components, or change the installation sequence without permission.
- Obtain approval from the national or local electric utility company before connecting the equipment to the grid.
- Observe the power plant safety regulations, such as the operation and work ticket mechanisms.
- Install temporary fences or warning ropes and hang "No Entry" signs around the operation area to keep unauthorized personnel away from the area.
- Before installing or removing power cables, turn off the switches of the equipment and its upstream and downstream switches.
- Before performing operations on the equipment, check that all tools meet the requirements and record the tools. After the operations are complete, collect all of the tools to prevent them from being left inside the equipment.
- Before installing power cables, check that cable labels are correct and cable terminals are insulated.
- When installing the equipment, use a torque tool of a proper measurement range to tighten the screws. When using a wrench to tighten the screws, ensure that the wrench does not tilt and the torque error does not exceed 10% of the specified value.
- Ensure that bolts are tightened with a torque tool and marked in red and blue after double-check. Installation personnel mark tightened bolts in blue. Quality inspection personnel confirm that the bolts are tightened and then mark them in red. (The marks must cross the edges of the bolts.)



- If the equipment has multiple inputs, disconnect all the inputs before operating the equipment.
- Before maintaining a downstream electrical or power distribution device, turn off the output switch on the power supply equipment.

- During equipment maintenance, attach "Do not switch on" labels near the upstream and downstream switches or circuit breakers as well as warning signs to prevent accidental connection. The equipment can be powered on only after troubleshooting is complete.
- Do not open equipment panels.
- Check equipment connections periodically, ensuring that all screws are securely tightened.
- Only qualified professionals can replace a damaged cable.
- Do not scrawl, damage, or block any labels or nameplates on the equipment. Promptly replace labels that have worn out.
- Do not use solvents such as water, alcohol, or oil to clean electrical components inside or outside of the equipment.

## Grounding

- Ensure that the grounding impedance of the equipment complies with local electrical standards.
- Ensure that the equipment is connected permanently to the protective ground. Before operating the equipment, check its electrical connection to ensure that it is reliably grounded.
- Do not work on the equipment in the absence of a properly installed ground conductor.
- Do not damage the ground conductor.

## Cabling Requirements

- When selecting, installing, and routing cables, follow local safety regulations and rules.
- When routing power cables, ensure that there is no coiling or twisting. Do not join or weld power cables. If necessary, use a longer cable.
- Ensure that all cables are properly connected and insulated, and meet specifications.
- Ensure that the slots and holes for routing cables are free from sharp edges, and that the positions where cables are routed through pipes or cable holes are equipped with cushion materials to prevent the cables from being damaged by sharp edges or burrs.
- Ensure that cables of the same type are bound together neatly and straight and that the cable sheath is intact. When routing cables of different types, ensure that they are away from each other without entanglement and overlapping.
- Secure buried cables using cable supports and cable clips. Ensure that the cables in the backfill area are in close contact with the ground to prevent cable deformation or damage during backfilling.
- If the external conditions (such as the cable layout or ambient temperature) change, verify the cable usage in accordance with the IEC-60364-5-52 or local laws and regulations. For example, check that the current-carrying capacity meets requirements.
- When routing cables, reserve at least 30 mm clearance between the cables and heat-generating components or areas. This prevents deterioration or damage to the cable insulation layer.

## 1.3 Environment Requirements

---

 **DANGER**

Do not expose the equipment to flammable or explosive gas or smoke. Do not perform any operation on the equipment in such environments.

---

---

 **DANGER**

Do not store any flammable or explosive materials in the equipment area.

---

---

 **DANGER**

Do not place the equipment near heat sources or fire sources, such as smoke, candles, heaters, or other heating devices. Overheat may damage the equipment or cause a fire.

---

---

 **WARNING**

Install the equipment in an area far away from liquids. Do not install it under areas prone to condensation, such as under water pipes and air exhaust vents, or areas prone to water leakage, such as air conditioner vents, ventilation vents, or feeder windows of the equipment room. Ensure that no liquid enters the equipment to prevent faults or short circuits.

---

---

 **WARNING**

To prevent damage or fire due to high temperature, ensure that the ventilation vents or heat dissipation systems are not obstructed or covered by other objects while the equipment is running.

---

### General Requirements

- Store the equipment according to the storage requirements. Equipment damage caused by unqualified storage conditions is not covered under the warranty.
- Keep the installation and operating environments of the equipment within the allowed ranges. Otherwise, its performance and safety will be compromised.
- The operating temperature range provided in the equipment's technical specifications refers to the ambient temperatures in equipment's installation environment.

- Do not install, use, or operate outdoor equipment and cables (including but not limited to moving equipment, operating equipment and cables, inserting connectors to or removing connectors from signal ports connected to outdoor facilities, working at heights, performing outdoor installation, and opening doors) in harsh weather conditions such as lightning, rain, snow, and level 6 or stronger wind.
- Do not install the equipment in an environment with dust, smoke, volatile or corrosive gases, infrared and other radiations, organic solvents, or salty air.
- Do not install the equipment in an environment with conductive metal or magnetic dust.
- Do not install the equipment in an area conducive to the growth of microorganisms such as fungus or mildew.
- Do not install the equipment in an area with strong vibration, noise, or electromagnetic interference.
- Ensure that the site complies with local laws, regulations, and related standards.
- Ensure that the ground in the installation environment is solid, free from spongy or soft soil, and not prone to subsidence. The site must not be located in a low-lying land prone to water or snow accumulation, and the horizontal level of the site must be above the highest water level of that area in history.
- Do not install the equipment in a position that may be submerged in water.
- If the equipment is installed in a place with abundant vegetation, in addition to routine weeding, harden the ground underneath the equipment using cement or gravel (the area shall be greater than or equal to 3 m x 2.5 m).
- Do not install the equipment outdoors in salt-affected areas because it may be corroded. A salt-affected area refers to the region within 500 m of the coast or prone to sea breeze. Regions prone to sea breeze vary with weather conditions (such as typhoons and monsoons) or terrains (such as dams and hills).
- Before installation, operation, and maintenance, clean up any water, ice, snow, or other foreign objects on the top of the equipment.
- When installing the equipment, ensure that the installation surface is solid enough to bear the weight of the equipment.
- After installing the equipment, remove the packing materials such as cartons, foam, plastics, and cable ties from the equipment area.

## 1.4 Mechanical Safety

---

 **WARNING**

Ensure that all necessary tools are ready and inspected by a professional organization. Do not use tools that have signs of scratches or fail to pass the inspection or whose inspection validity period has expired. Ensure that the tools are secure and not overloaded.

---

 **WARNING**

Do not drill holes into the equipment. Doing so may affect the sealing performance and electromagnetic containment of the equipment and damage components or cables inside. Metal shavings from drilling may short-circuit boards inside the equipment.

## General Requirements

- Repaint any paint scratches caused during equipment transportation or installation in a timely manner. Equipment with scratches must not be exposed for an extended period of time.
- Do not perform operations such as arc welding and cutting on the equipment without evaluation by the Company.
- Do not install other devices on the top of the equipment without evaluation by the Company.
- When performing operations over the top of the equipment, take measures to protect the equipment against damage.
- Use correct tools and operate them in the correct way.

## Moving Heavy Objects

- Be cautious to prevent injury when moving heavy objects.



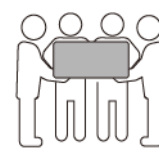
< 18 kg  
(< 40 lbs)



18–32 kg  
(40–70 lbs)



32–55 kg  
(70–121 lbs)



55–68 kg  
(121–150 lbs)



> 68 kg  
(> 150 lbs)

CZ0000110

- If multiple persons need to move a heavy object together, determine the manpower and work division with consideration of height and other conditions to ensure that the weight is equally distributed.
- If two persons or more move a heavy object together, ensure that the object is lifted and landed simultaneously and moved at a uniform pace under the supervision of one person.
- Wear personal protective gears such as protective gloves and shoes when manually moving the equipment.
- To move an object by hand, approach to the object, squat down, and then lift the object gently and stably by the force of the legs instead of your back. Do not lift it suddenly or turn your body around.
- Do not quickly lift a heavy object above your waist. Place the object on a workbench that is half-waist high or any other appropriate place, adjust the positions of your palms, and then lift it.
- Move a heavy object stably with balanced force at an even and low speed. Put down the object stably and slowly to prevent any collision or drop from scratching the surface of the equipment or damaging the components and cables.



- When moving a heavy object, be aware of the workbench, slope, staircase, and slippery places. When moving a heavy object through a door, ensure that the door is wide enough to move the object and avoid bumping or injury.
- When transferring a heavy object, move your feet instead of turning your waist around. When lifting and transferring a heavy object, ensure that your feet point to the target direction of movement.
- When transporting the equipment using a pallet truck or forklift, ensure that the tynes are properly positioned so that the equipment does not topple. Before moving the equipment, secure it to the pallet truck or forklift using ropes. When moving the equipment, assign dedicated personnel to take care of it.
- Choose sea, roads in good conditions, or airplanes for transportation. Do not transport the equipment by railway. Avoid tilt or jolt during transportation.

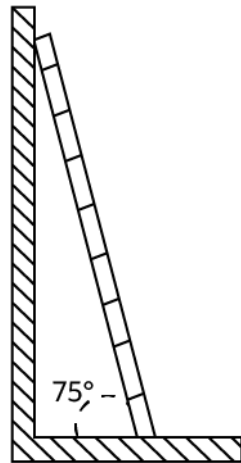
## Using Ladders

- Use wooden or insulated ladders when you need to perform live-line working at heights.
- Platform ladders with protective rails are preferred. Single ladders are not recommended.
- Before using a ladder, check that it is intact and confirm its load bearing capacity. Do not overload it.
- Ensure that the ladder is securely positioned and held firm.



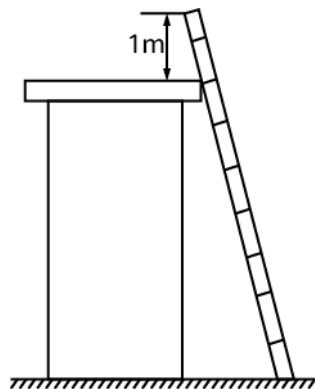
CZ00000107

- When climbing up the ladder, keep your body stable and your center of gravity between the side rails, and do not overreach to the sides.
- When a step ladder is used, ensure that the pull ropes are secured.
- If a single ladder is used, the recommended angle for the ladder against the floor is 75 degrees, as shown in the following figure. A square can be used to measure the angle.



PI02SC0008

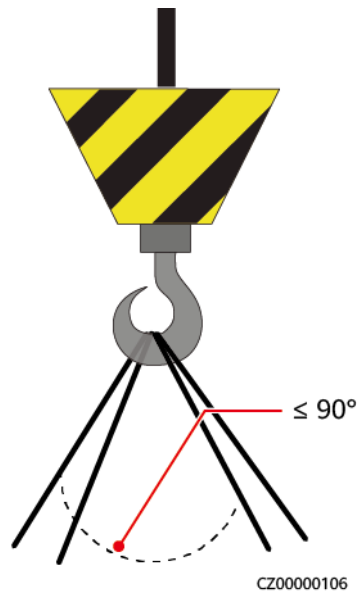
- If a single ladder is used, ensure that the wider end of the ladder is at the bottom, and take protective measures to prevent the ladder from sliding.
- If a single ladder is used, do not climb higher than the fourth rung of the ladder from the top.
- If you use a single ladder to climb up to a platform, ensure that the ladder is at least 1 m higher than the platform.



PI02SC0009

## Hoisting

- Only trained and qualified personnel are allowed to perform hoisting operations.
- Install temporary warning signs or fences to isolate the hoisting area.
- Ensure that the foundation where hoisting is performed on meets the load-bearing requirements.
- Before hoisting objects, ensure that hoisting tools are firmly secured onto a fixed object or wall that meets the load-bearing requirements.
- During hoisting, do not stand or walk under the crane or the hoisted objects.
- Do not drag steel ropes and hoisting tools or bump the hoisted objects against hard objects during hoisting.
- Ensure that the angle between two hoisting ropes is no more than 90 degrees, as shown in the following figure.



## Drilling Holes

- Obtain consent from the customer and contractor before drilling holes.
- Wear protective equipment such as safety goggles and protective gloves when drilling holes.
- To avoid short circuits or other risks, do not drill holes into buried pipes or cables.
- When drilling holes, protect the equipment from shavings. After drilling, clean up any shavings.

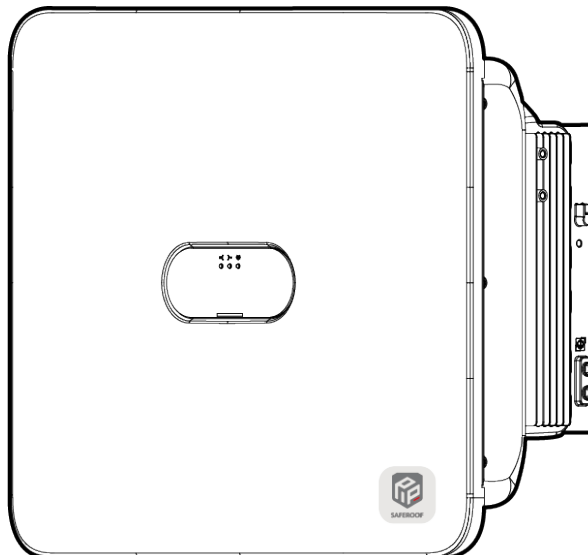
# 2 Overview

The SUN5000 is a three-phase grid-tied PV string inverter that converts the DC power generated by PV strings into AC power and feeds the power into the power grid.

## NOTICE

Optimizers must be configured for all PV modules connected to the SUN5000 inverter. Otherwise, the inverter cannot be started.

Figure 2-1 SUN5000



## 2.1 Model Number Description

This document involves the following product models:

- SUN5000-17K-MB0
- SUN5000-25K-MB0

Figure 2-2 Model number (using SUN5000-17K-MB0 as an example)

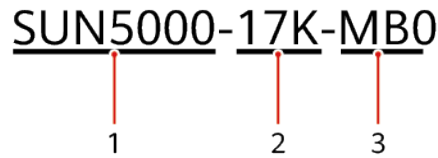


Table 2-1 Model number description

| No. | Item        | Description   |
|-----|-------------|---|
| 1   | Series name | SUN5000: three-phase grid-tied PV string inverter   |
| 2   | Power       | <ul style="list-style-type: none"><li>• 17K: The rated power is 17 kW.</li><li>• 25K: The rated power is 25 kW.</li></ul> |
| 3   | Design code | MB0: three-phase product series with the DC input voltage level of 1000 V or 1100 V                                       |

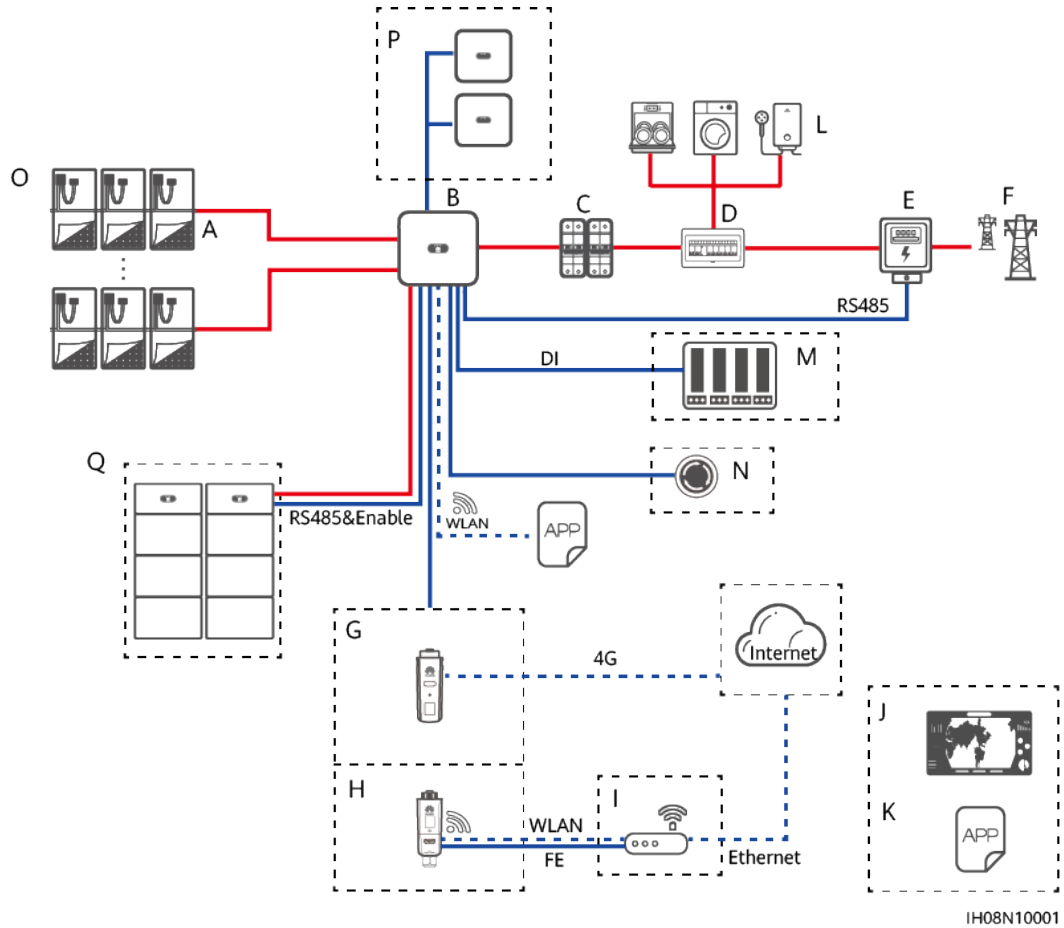
## 2.2 Networking Application

### Typical Networking

The SUN5000 applies to grid-tied PV systems for residential rooftop projects and small-sized ground-mounted plants. The system consists of PV strings, grid-tied inverters, AC switches, and power distribution units (PDUs).

## Smart Dongle Networking

**Figure 2-3** Smart Dongle networking (the components in the dashed boxes are optional)



IH08N10001

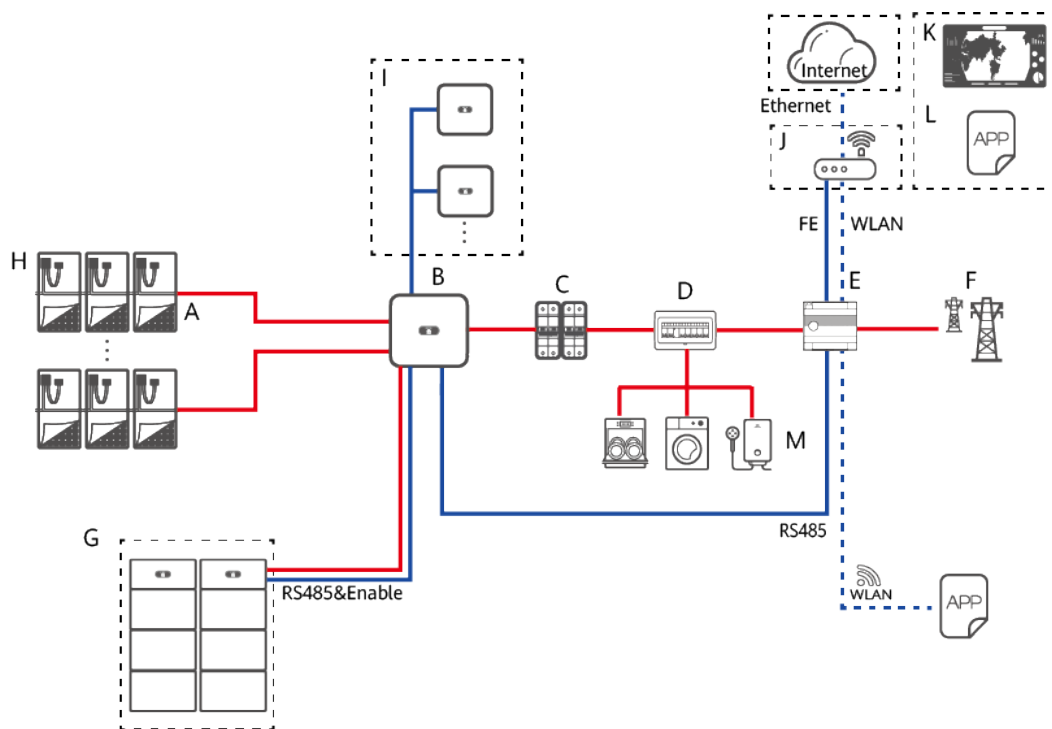
- |  |                           |                |
|--|---------------------------|----------------|
| (A) PV string  | (B) SUN5000               | (C) AC switch  |
| (D) AC PDU   | (E) Power meter           | (F) Power grid |
| (G) 4G Smart Dongle                                    | (H) WLAN-FE Smart Dongle  | (I) Router     |
| (J) FusionSolar Smart PV Management System (SmartPVMS) | (K) FusionSolar app       | (L) Load       |
| (M) Ripple control device                              | (N) Rapid shutdown switch | (O) Optimizer  |
| (P) Slave devices                                      | (Q) Battery               |                |

**NOTICE**

- When the SUN5000-(17K, 25K)-MB0 functions as the master inverter and needs to connect to both a power meter and batteries, if more than two batteries are connected, select one of the following meter models: DTSU666-HW, YDS60-80, YDS60-C24, DTSU71, and DHSU1079-CT. The DTSU666-H is not supported. Ensure that the baud rate for RS485-2 is negotiated to 115200 bit/s. For details about baud rate negotiation, see [F Baud Rate Negotiation](#).
- For details about the Smart Dongle networking, see the [Residential Smart PV Solution Quick Guide \(Three-Phase PV+ESS Scenario + Smart Dongle Networking\)](#) or [Residential Smart PV Solution Commissioning Manual \(Smart Dongle\)](#).

## EMMA Networking

Figure 2-4 EMMA networking (the components in dashed boxes are optional)



IH09N10001

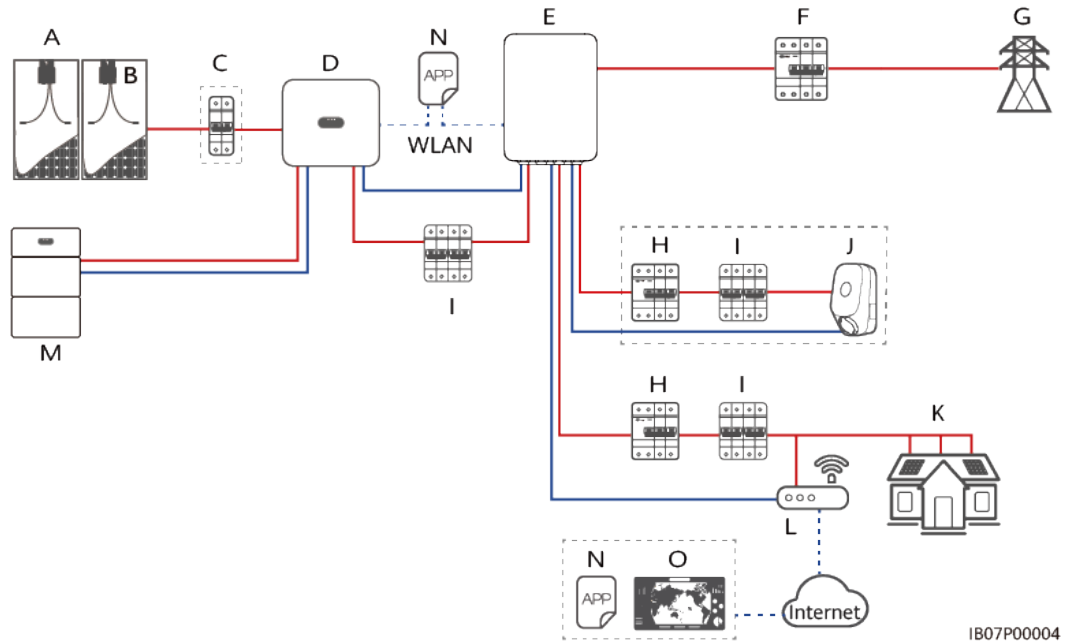
- |               |                           |                     |
|---------------|---------------------------|---------------------|
| (A) PV string | (B) SUN5000               | (C) AC switch       |
| (D) AC PDU    | (E) EMMA                  | (F) Power grid      |
| (G) Battery   | (H) Optimizer             | (I) Slave devices   |
| (J) Router    | (K) FusionSolar SmartPVMS | (L) FusionSolar app |
| (M) Load      |                           |                     |

**NOTE**

For details about EMMA networking, see [Residential Smart PV Solution Quick Guide \(Three-Phase PV+ESS Scenario + EMMA Networking\)](#) or [Residential Smart PV Solution User Manual \(EMMA Networking & SmartGuard Networking\)](#).

## SmartGuard Networking

**Figure 2-5** SmartGuard networking (the components in dashed boxes are optional)



1B07P00004

- |                     |                                   |                           |
|---------------------|-----------------------------------|---------------------------|
| (A) PV string       | (B) Optimizer                     | (C) DC switch             |
| (D) SUN5000         | (E) SmartGuard                    | (F) Main circuit breaker  |
| (G) Power grid      | (H) Residual current device (RCD) | (I) AC switch             |
| (J) Non-backup load | (K) Backup load                   | (L) Router                |
| (M) Battery         | (N) FusionSolar app               | (O) FusionSolar SmartPVMS |

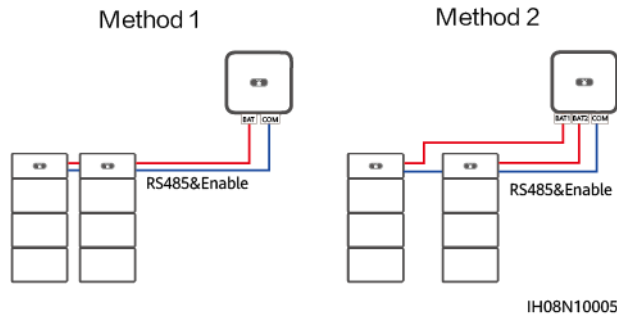
**NOTE**

- In SmartGuard networking, SUN5000-(17K, 25K)-MB0 inverters cannot be cascaded.
- For details about the SmartGuard networking scenario, see the [Residential Smart PV Solution Quick Guide \(Three-Phase PV+ESS Scenario + SmartGuard Networking\)](#) or [Residential Smart PV Solution User Manual \(EMMA Networking & SmartGuard Networking\)](#).

To connect the inverter to two batteries, use either of methods shown in the following figure.



**Figure 2-6** Connecting the inverter to two batteries

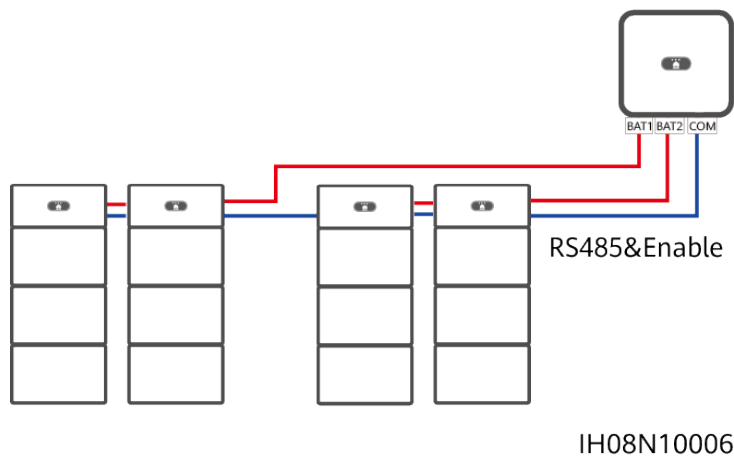


To connect the inverter to four batteries, refer to the following figure.

**NOTE**

Each battery terminal can connect to a maximum of two batteries.

**Figure 2-7** Connecting the inverter to four batteries



**NOTE**

For details about operations on related products in the network, see the following documents:

[MERC-\(1300W, 1100W\)-P Smart PV Optimizer Quick Guide](#)

[MERC Smart PV Optimizer User Manual](#)

[LUNA2000-\(5-30\)-S0 User Manual](#)

[LUNA2000-\(7, 14, 21\)-S1 User Manual](#)

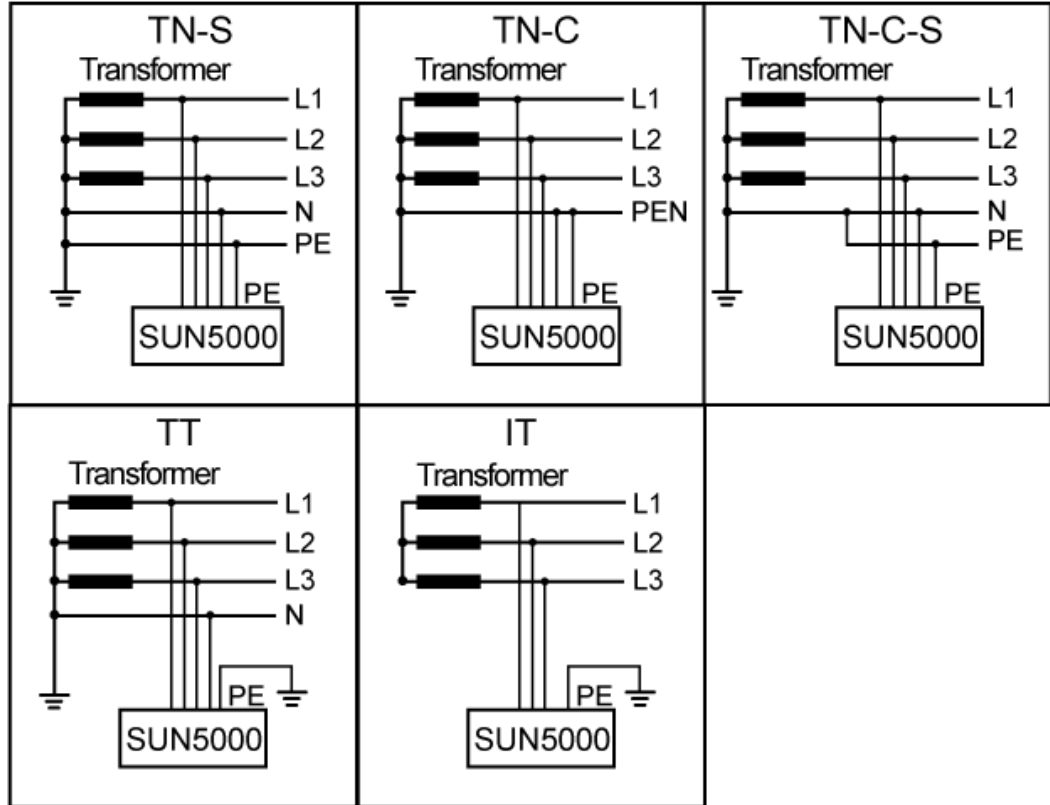
**NOTE**

- For two PV strings connected in parallel to the same MPPT circuit, the model, quantity, orientation, and tilt angle of PV modules in the PV strings must be the same.
- The voltage of different MPPT circuits must be the same.
- The MPPT voltage must be greater than the lower threshold of the full-load MPPT range specified in the inverter technical data sheet. Otherwise, the inverter will be derated, causing the system yield loss.

## Earthing Systems

The inverter supports the TN-S, TN-C, TN-C-S, TT, and IT earthing systems.

Figure 2-8 Earthing systems



IH10H00070

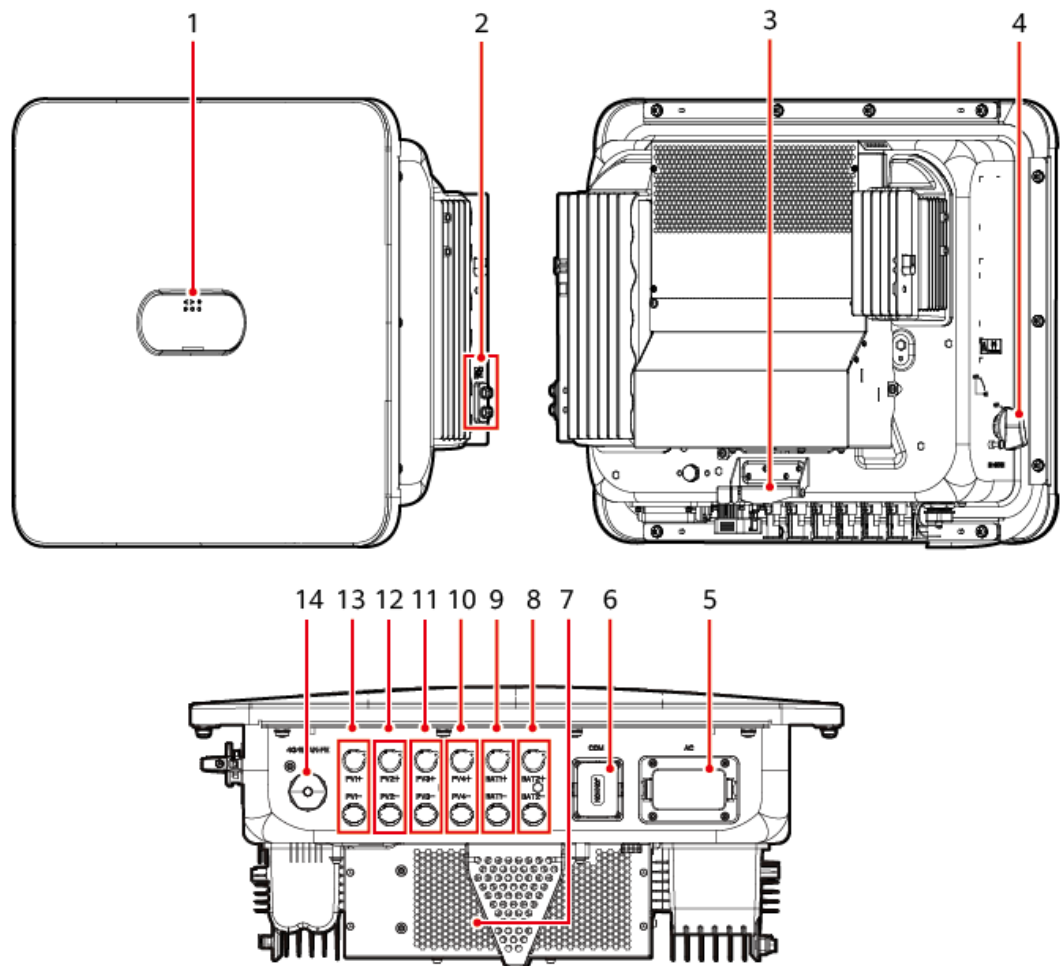
### NOTE

- In a TT power grid, the N-PE voltage should be lower than 30 V.
- In an IT power grid, you need to set **isolation settings** to **input not grounded, with a transformer**.

## 2.3 Appearance

### Appearance and Ports

Figure 2-9 Appearance



IH08W00001

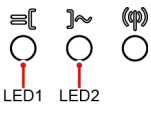
- |   |   |
|---|---|
| (1) LED indicators                      | (2) Ground screws                       |
| (3) Mounting bracket                    | (4) DC switch (DC SWITCH)               |
| (5) AC output port (AC)                 | (6) Communications port (COM)           |
| (7) Fan                                 | (8) Battery terminals (BAT2+ and BAT2-) |
| (9) Battery terminals (BAT1+ and BAT1-) | (10) DC input terminals (PV4+ and PV4-) |
| (11) DC input terminals (PV3+ and PV3-) | (12) DC input terminals (PV2+ and PV2-) |

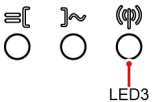
(13) DC input terminals (PV1+ and PV1-)

(14) Smart Dongle port (4G/WLAN-FE)

## Indicator Description

Table 2-2 LED indicator description

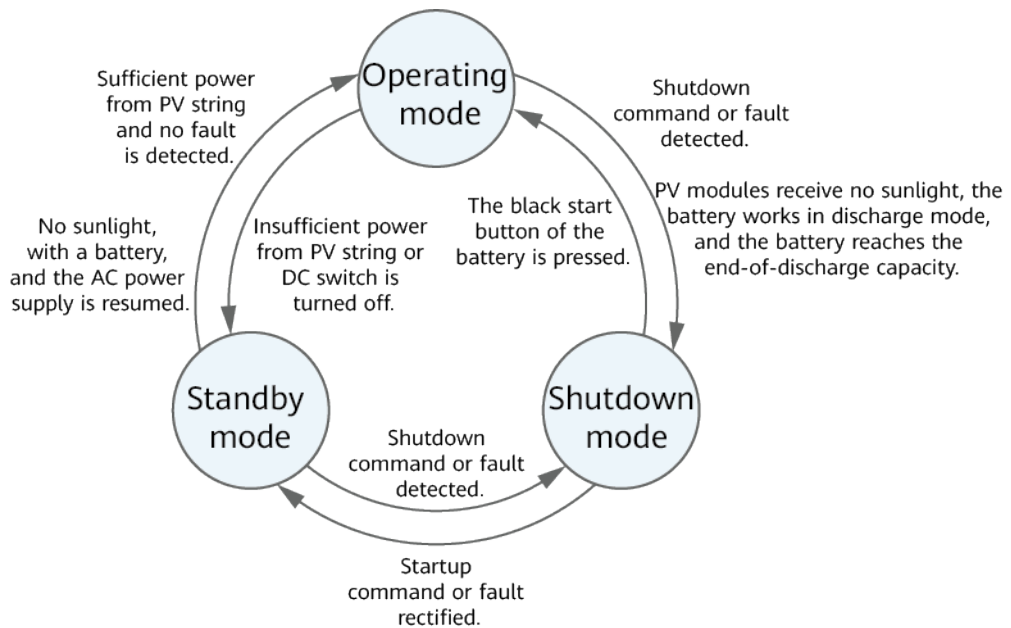
| Category  | Status   |  | Description   |
|---|--|--|---|
| Running indication<br> | <b>LED1</b>                                      | <b>LED2</b>                                      | -   |
|   | Steady green                                     | Steady green                                     | The inverter is operating in grid-tied mode.  |
|   | Blinking green slowly (on for 1s and off for 1s) | Off  | The DC is on and the AC is off.   |
|   | Blinking green slowly (on for 1s and off for 1s) | Blinking green slowly (on for 1s and off for 1s) | Both the DC and AC are on, and the inverter is off-grid.  |
|   | Off  | Blinking green slowly (on for 1s and off for 1s) | The DC is off and the AC is on.   |
|   | Off  | Off  | Both the DC and AC are off.   |
|   | Blinking red fast (on for 0.2s and off for 0.2s) | -  | There is a DC environmental alarm, such as <b>High String Input Voltage, String Reverse Connection, or Low Insulation Resistance.</b> |
|   | -  | Blinking red fast                                | There is an AC environmental alarm, such as <b>Grid Undervoltage, Grid Overvoltage, Grid Overfrequency, or Grid Underfrequency.</b>   |
|   | Steady red                                       | Steady red                                       | A fault exists.   |

| Category   | Status   |             |             | Description  |
|--|--|-------------|-------------|--|
| Communica<br>tion<br>indication<br><br> | <b>LED3</b>  |             |             | -  |
|  | Blinking green fast (on for 0.2s and off for 0.2s) |             |             | Communication is in progress. (When a mobile phone is connected to the inverter, the indicator first blinks green slowly, indicating that the phone is connected to the inverter.) |
|  | Blinking green slowly (on for 1s and off for 1s)   |             |             | The mobile phone is connected to the inverter.   |
|  | Off  |             |             | There is no communication.   |
| Device replacement indication  | <b>LED1</b>  | <b>LED2</b> | <b>LED3</b> | -  |
|  | Steady red   | Steady red  | Steady red  | The inverter hardware is faulty and needs to be replaced.  |

## 2.4 Working Modes

The inverter can work in Standby, Operating, or Shutdown mode.

Figure 2-10 Working modes







IS07S00002






**Table 2-3** Working mode description

| Working Mode | Description   |
|--------------|---|
| Standby      | <p>The inverter enters Standby mode when the external environment does not meet the operating requirements. In Standby mode:</p> <ul style="list-style-type: none"> <li>● The inverter continuously performs status check and enters the Operating mode once the operating requirements are met.</li> <li>● The inverter enters Shutdown mode after detecting a shutdown command or a fault after startup.</li> </ul>   |
| Operating    | <p>In Operating mode:</p> <ul style="list-style-type: none"> <li>● The inverter converts DC power from PV strings into AC power and feeds the power to the power grid.</li> <li>● The inverter tracks the maximum power point to maximize the PV string output.</li> <li>● If the inverter detects a fault or a shutdown command, it enters the Shutdown mode.</li> <li>● The inverter enters Standby mode after detecting that the PV string output power is not suitable for connecting to the power grid for generating power.</li> <li>● If the PV modules receive no sunlight, the battery works in discharge mode, and the battery reaches the end-of-discharge capacity, the inverter enters Shutdown mode.</li> </ul> |
| Shutdown     | <ul style="list-style-type: none"> <li>● In Standby or Operating mode, the inverter enters Shutdown mode after detecting a fault or shutdown command.</li> <li>● In Shutdown mode, the inverter enters Standby mode after detecting a startup command or that the fault is rectified.</li> <li>● In Shutdown mode, if the black start button of the battery is pressed, the inverter enters Operating mode.</li> </ul>  |

## 2.5 Label Description

### Enclosure Labels

| Symbol  | Name   | Meaning   |
|---|--|---|
|    | <p><b>Danger: High Voltage! 高压危险!</b> <small>Delayed discharge</small></p> <p>Start maintaining the INVERTER at least 5 minutes after the INVERTER disconnects from all external power supplies.<br/>逆变器与外部所有电源断开后，需要等待至少5分钟，才可以进行维护。</p>  | <p>Residual voltage exists after the inverter is powered off. It takes 5 minutes for the inverter to discharge to the safe voltage.</p>   |
|   | <p><b>Warning: High Temperature! 高温危险!</b> <small>Burn warning</small></p> <p>Never touch the enclosure of an operating INVERTER.<br/>逆变器工作时严禁触摸外壳。</p>  | <p>Do not touch the inverter when it is running because its enclosure is hot.</p>   |
|  | <p><b>Danger: Electrical Hazard! 有电危险!</b> <small>Electric shock warning</small></p> <p>Only certified professionals are allowed to install and operate the INVERTER.<br/>仅有资质的专业人员才可进行逆变器的安装和操作。</p> <p>High touch current, earth connection essential before connecting supply.<br/>大接触电流！接通电源前须先接地。</p> | <ul style="list-style-type: none"> <li>High voltage exists after the inverter is powered on. Only qualified and trained electrical technicians are allowed to perform operations on the inverter.</li> <li>High touch current exists after the inverter is powered on. Before powering on the inverter, ensure that the inverter is properly grounded.</li> </ul> |
|  | <p><b>CAUTION</b> <small>Refer to documentation</small></p> <p>Read instructions carefully before performing any operation on the INVERTER.<br/>对逆变器进行任何操作前，请仔细阅读说明书！</p>  | <p>Reminds operators to refer to the documents delivered the inverter.</p>  |

| Symbol   | Name                                 | Meaning   |
|--|--------------------------------------|---|
|  <div style="border: 1px solid black; padding: 2px;">                     Do not disconnect under load!<br/>                     禁止带负荷断开连接!                 </div>                                      | Operation warning                    | Do not remove the DC input connector or AC output connector when the inverter is running. |
|   <div style="border: 1px solid black; padding: 2px;">                     18-32 kg (40-70 lbs)                 </div> | Weight                               | The inverter is heavy and needs to be carried by two persons.                             |
|  <p>(1P)PN/ITEM:XXXXXXXX<br/>(32P)Model:XXXXXXXX<br/>(S)SN:XXXXXXXXXXXXX MADE IN CHINA</p>  | Serial number (SN)                   | Indicates the product SN.   |
|   | QR code for inverter WiFi connection | Scan the QR code to connect to the Huawei inverter WiFi.                                  |

## Product Nameplate

The nameplate contains the trademark, product model, important technical specifications, compliance symbols, company name, and place of origin.

### NOTE

Scan the QR code on the nameplate to view related product information and documents.



# 3 Storage Requirements

---

The following requirements shall be met if inverters are not put into use immediately:

- Do not unpack inverters.
- Keep the storage temperature at  $-40^{\circ}\text{C}$  to  $+70^{\circ}\text{C}$  and the humidity at 5%–95% RH.
- Store inverters in a clean and dry place and protect them from dust and moisture.
- Inverters can be stacked in a maximum of six layers. To avoid personal injury or device damage, stack inverters with caution to prevent them from falling over.
- During the storage period, check inverters periodically (recommended: once every three months). Replace the packing materials that are damaged by insects or rodents in a timely manner.
- If inverters have been stored for two years or longer, they must be checked and tested by professionals before being put into use.

# 4 Installation

## 4.1 Installation Modes

The inverter can be wall-mounted or support-mounted.

**Table 4-1** Installation modes

| Installation Mode | Screw Specifications                 | Description                |
|-------------------|--------------------------------------|----------------------------|
| Wall mounting     | M6x60 stainless steel expansion bolt | Delivered with the product |
| Support mounting  | M6 stainless steel bolt assembly     | Prepared by the customer   |

## 4.2 Installation Requirements

### 4.2.1 Site Selection Requirements

#### Basic Requirements

- The inverter is protected to IP66 and can be installed indoors or outdoors.
- Do not install the inverter in an easily accessible place because its enclosure and heat sinks generate high temperature during operation.
- Do not install the inverter in noise-sensitive areas.
- Do not install the inverter in areas with flammable or explosive materials.
- Do not install the inverter in a place within children's reach.
- Do not install the inverter outdoors in salt areas because it will be corroded there and may cause fire. A salt area refers to a region within 500 m of the coast or prone to sea breeze. Regions prone to sea breeze vary with weather

conditions (such as typhoons and monsoons) or terrains (such as dams and hills).

- The inverter should be installed in a well-ventilated environment to ensure good heat dissipation.
- You are advised to install the inverter in a sheltered area, or with an awning over it.

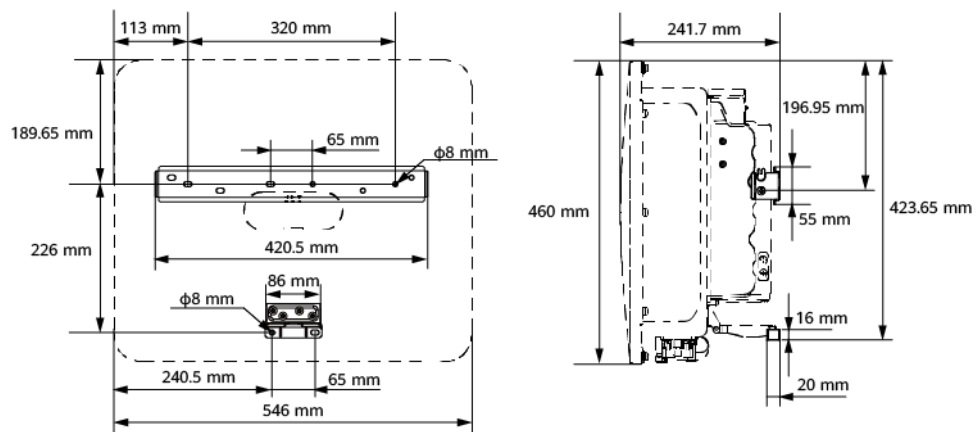
### Mounting Structure Requirements

- The mounting structure where the inverter is installed must be fireproof.
- Do not install the inverter on flammable building materials.
- The inverter is heavy. Ensure that the installation surface is solid enough to bear the weight.
- In residential areas, do not install the inverter on drywalls or walls made of similar materials which have a weak sound insulation performance because the noise generated by the inverter is noticeable.

### 4.2.2 Clearance Requirements

- **Figure 4-1** shows the dimensions of mounting holes for the inverter.

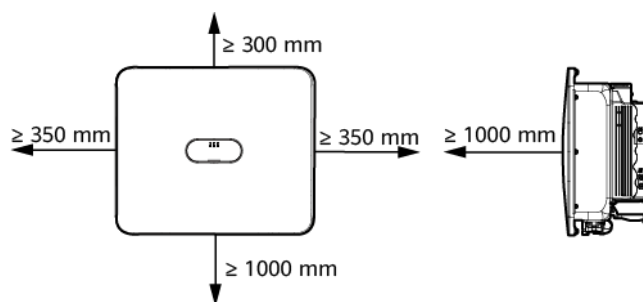
**Figure 4-1** Dimensions of the inverter and mounting bracket



IH08W00007

- Reserve enough clearances around the inverter to ensure sufficient space for installation and heat dissipation.

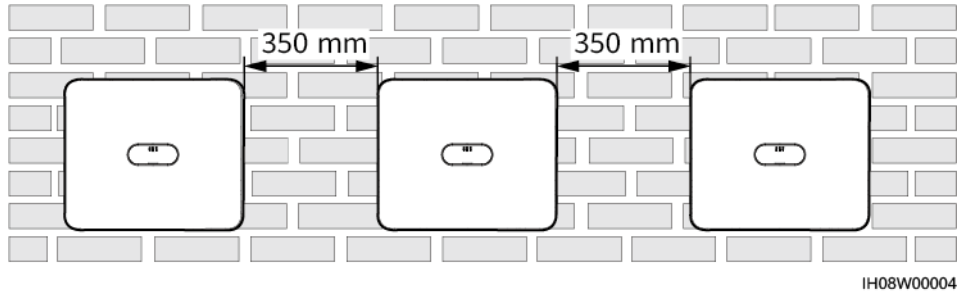
**Figure 4-2** Clearances



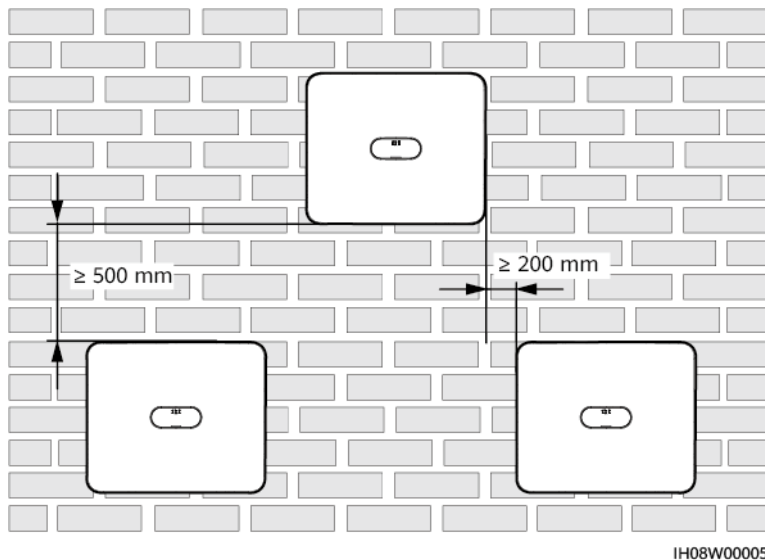
IH08W00003

- When installing multiple inverters, install them in horizontal mode if sufficient space is available and install them in triangle mode if no sufficient space is available. Stacked installation is not recommended.

**Figure 4-3** Horizontal installation mode (recommended)



**Figure 4-4** Triangle installation mode (recommended)

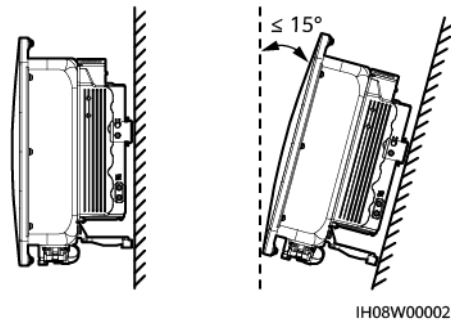


### 4.2.3 Angle Requirements

The inverter can be wall-mounted or support-mounted. The installation angle requirements are as follows:

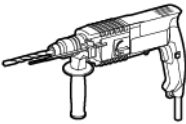

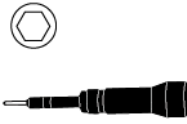

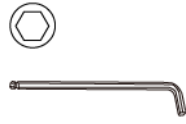
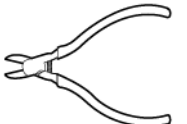
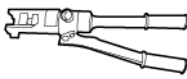
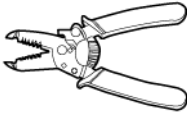

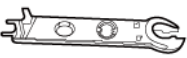


- Install the inverter vertically or at a maximum back tilt of 15 degrees to facilitate heat dissipation.
- Do not install the inverter at forward tilted, excessive backward tilted, side tilted, horizontal, or upside down positions.


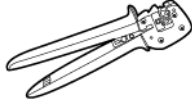
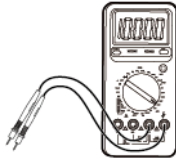

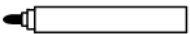
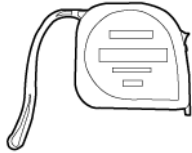

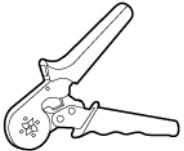




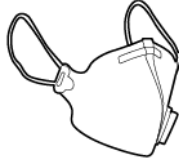



**Figure 4-5** Installation angle



IH08W00002

### 4.3 Tools

| Type  | Tool  |  |   |   |
|---|---|--|---|---|
| Installation tool   |    |     |     |    |
|   | Hammer drill<br>Drill bit: $\Phi 8$ mm, $\Phi 6$ mm                                 | Phillips insulated torque screwdriver  | Hex insulated torque screwdriver  | Insulated torque socket wrench  |
|   |  |   |   |  |
| Hex key   | Diagonal pliers   | Hydraulic pliers   | Wire stripper   |   |
|  |  |  |  |   |
| Cable tie   | Removal wrench<br>Model: PV-MS-HZ open-end wrench<br>Manufacturer: Staubli          | Rubber mallet  | Utility knife   |   |

| Type                                | Tool  |  |   |  |
|-------------------------------------|---|--|---|--|
|                                     | <br>Cable cutter         | <br>Crimping tool<br>Model: PV-CZM-22100/19100<br>Manufacturer: Staubli | <br>Multimeter<br>DC voltage measurement range $\geq 1100$ V DC | <br>Vacuum cleaner                  |
|                                     | <br>Marker               | <br>Steel measuring tape  | <br>Level   | <br>Cord end terminal crimping tool |
|                                     | <br>Heat shrink tubing | <br>Heat gun  | -   | -  |
| Personal protective equipment (PPE) | <br>Insulated gloves   | <br>Protective gloves   | <br>Dust mask   | <br>Insulated shoes               |
|                                     | <br>Goggles            | <br>Safety helmet   | -   | -  |

## 4.4 Checking Before Installation

### Outer Packing Materials

Before unpacking the inverter, check the outer packing materials for damage, such as holes and cracks, and check the inverter model. If any damage is found or the inverter model is not what you requested, do not unpack the package and contact your supplier as soon as possible.

 **NOTE**

You are advised to remove the packing materials within 24 hours before installing the inverter.

### Package Contents

---

**NOTICE**

- After placing the equipment in the installation position, unpack it with care to prevent scratches. Keep the equipment stable during unpacking.

---

After unpacking the inverter, check that the contents are intact and complete. If any damage is found or any component is missing, contact your supplier.

 **NOTE**

For details about the number of contents, see the *Packing List* in the packing case.

## 4.5 Moving an Inverter

### Procedure

- Step 1** Two persons are required to move the inverter with one person on both sides. Lift the inverter from the packing case and move it to the specified installation position.

---

 **CAUTION**

- Move the inverter with care to prevent device damage and personal injury.
- Do not hold the wiring terminals and ports at the bottom. Do not place the inverter with the wiring terminals and ports touching the ground or other supporting surface.
- When you need to temporarily place the inverter on the ground, use protection material such as foam and paper underneath to prevent damage to its enclosure.

---

----End

## 4.6 Installing an Inverter (Wall Mounting)

### Procedure

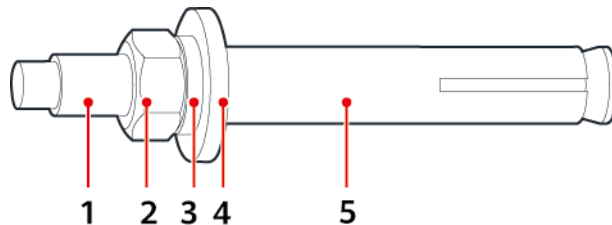
**Step 1** Determine the hole positions and mark them using a marker.

**Step 2** Secure the mounting bracket.

 **NOTE**

- M6x60 expansion bolts are delivered with the inverter. If the length and amount of the bolts do not meet installation requirements, prepare M6 stainless steel expansion bolts by yourself.
- The expansion bolts delivered with the inverter are used for solid concrete walls. For other types of walls, prepare bolts by yourself and ensure that the wall meets the load bearing requirements of the inverter.

**Figure 4-6** M6 expansion bolt structure



IS05W00018

(1) Bolt

(2) Nut

(3) Spring washer

(4) Flat washer

(5) Expansion sleeve

---

 **DANGER**

Avoid drilling holes in the utility pipes or cables attached to the back of the wall.

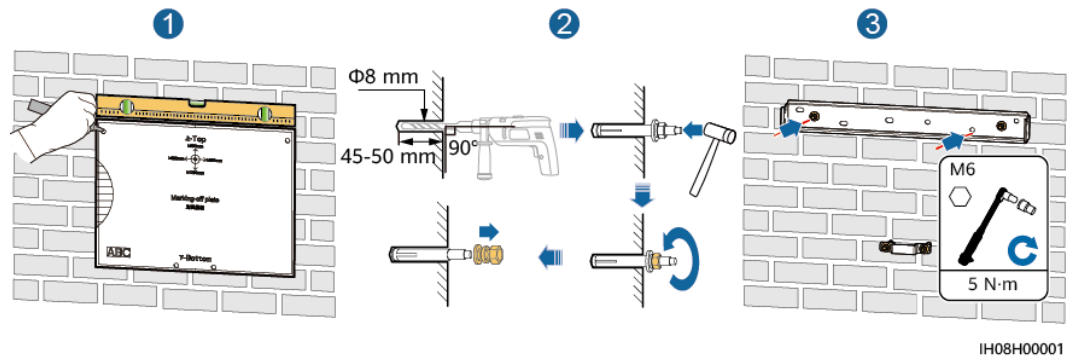
---



**NOTICE**

- To prevent dust inhalation or contact with eyes, wear safety goggles and an anti-dust respirator when drilling holes.
- Clean up any dust in and around the holes using a vacuum cleaner and measure the distance between holes. If large hole tolerance exists, position and drill holes again.
- After removing the bolt, spring washer, and flat washer, level the front of the expansion tube with the concrete wall. Otherwise, the mounting brackets will not stay steady on the concrete wall.
- Partially loosen the nut, flat washer and spring washer of the two expansion bolts below.

**Figure 4-7** Installing the mounting bracket

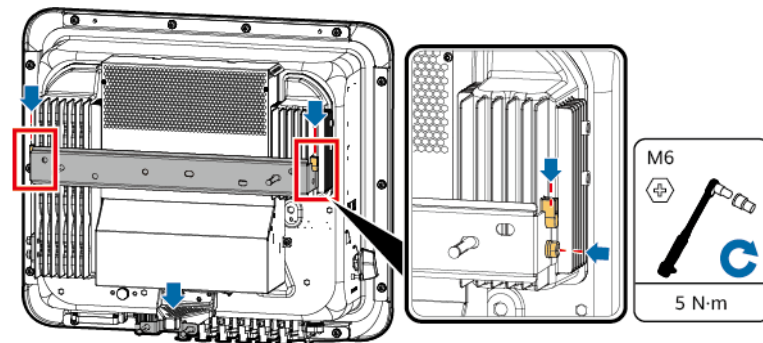


IH08H00001

**Step 3** Install the inverter on the mounting bracket.

**Step 4** Tighten the nuts.

**Figure 4-8** Installing the inverter



IH08H00003

----End

## 4.7 Installing an Inverter (Support Mounting)

### Prerequisites

Prepare M6 stainless steel bolt assemblies (including flat washers, spring washers, and M6 bolts) with appropriate lengths as well as matched flat washers and nuts based on the support specifications.

### Procedure

**Step 1** Determine the positions for drilling holes using the marking-off template, and then mark the positions with a marker.

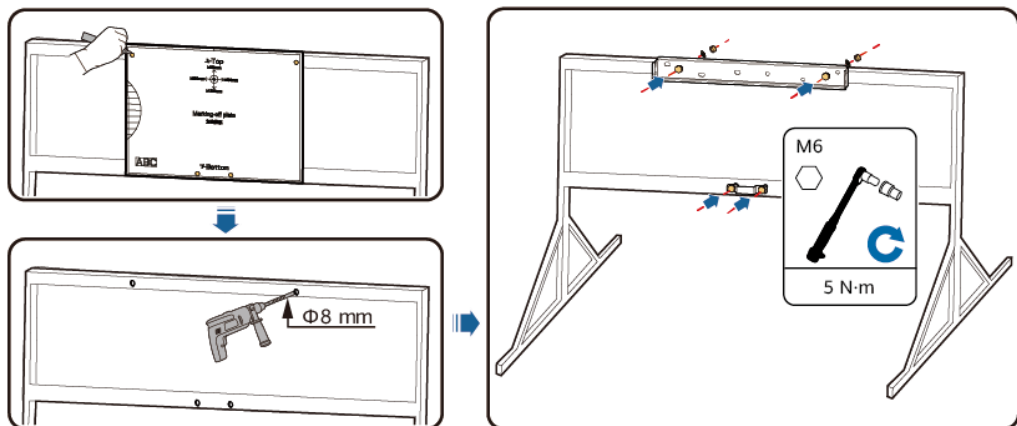
**Step 2** Drill holes using a hammer drill.

 **NOTE**

You are advised to apply anti-rust paint on the hole positions for protection.

**Step 3** Secure the mounting bracket.

**Figure 4-9** Securing the mounting bracket

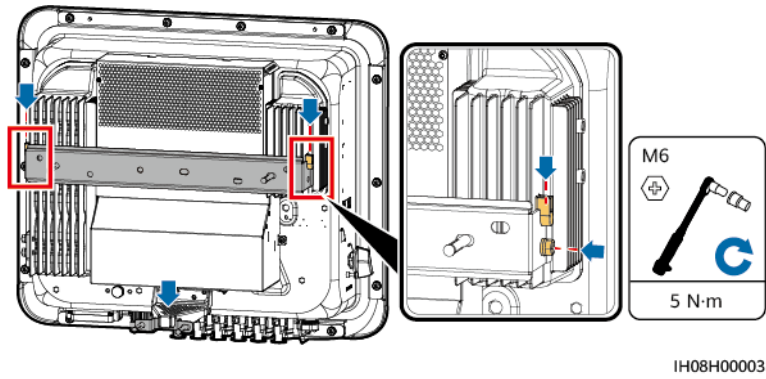


IH08H00004

**Step 4** Install the inverter on the mounting bracket.

**Step 5** Tighten the bolt assemblies.

**Figure 4-10** Installing an Inverter



----End

# 5 Electrical Connections

---

## 5.1 Precautions

---

 **DANGER**

When exposed to sunlight, the PV arrays supply DC voltage to the inverter. Before connecting cables, ensure that all **DC SWITCH** on the inverter are OFF. Otherwise, the high voltage of the inverter may result in electric shocks.

---

---

 **DANGER**

- The site must be equipped with qualified fire fighting facilities, such as fire sand and carbon dioxide fire extinguishers.
  - Wear personal protective equipment and use dedicated insulated tools to avoid electric shocks or short circuits.
- 

---

 **WARNING**

- The equipment damage caused by incorrect cable connections is beyond the warranty scope.
  - Only certified electrician can perform electrical terminations.
  - Operation personnel must wear PPE when connecting cables.
  - Before connecting cables to ports, leave enough slack to reduce the tension on the cables and prevent poor cable connections.
-

**CAUTION**

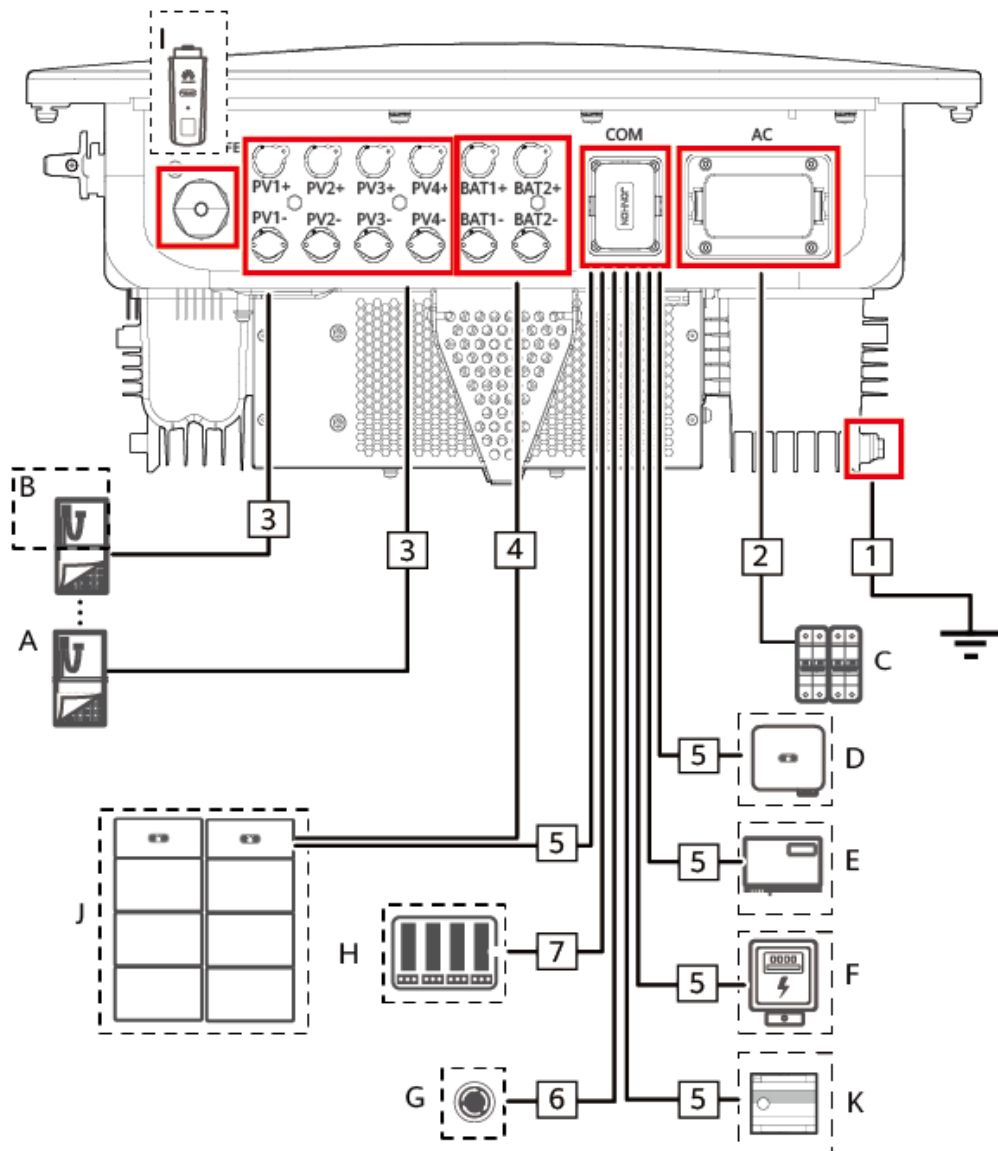
- Stay away from the equipment when preparing cables to prevent cable scraps from entering the equipment. Cable scraps may cause sparks and result in personal injury and equipment damage.

**NOTE**

The cable colors shown in the electrical connection diagrams provided in this section are for reference only. Select cables in accordance with local cable specifications (green-and-yellow cables are only used for protective earthing).

## 5.2 Preparing Cables

Figure 5-1 Cable connections (the components in dashed boxes are optional)



IH08N10002

**Table 5-1** Component description

| No. | Component                  | Description   | Source                                   |
|-----|----------------------------|---|--|
| A   | PV module                  | <ul style="list-style-type: none"> <li>A PV string consists of PV modules connected in series.</li> <li>The inverter supports 4 PV string inputs.</li> </ul>  | Prepared by the customer                 |
| B   | Optimizer                  | Supported models: MERC-(1300W, 1100W)-P, and MERC-600W-PA0 <sup>[3]</sup>   | Purchased from Huawei                    |
| C   | AC switch                  | <p>To ensure that the inverter can be safely disconnected from the power grid when an exception occurs, connect an AC switch to the AC side of the inverter. Select an appropriate AC switch in accordance with local industry standards and regulations. Huawei recommends the following switch specifications:</p> <p>It is recommended that you use a three-phase AC circuit breaker with a rated voltage greater than or equal to 415 V AC and a rated current of:</p> <ul style="list-style-type: none"> <li>On-grid:<br/>17K: 40 A<br/>25K: 50 A or 63 A</li> <li>On/Off-grid &amp; Only off-grid:<br/>17K–25K: 50 A or 63 A</li> </ul> | Prepared by the customer                 |
| D   | SUN5000                    | Select a proper model as required.  | Purchased from Huawei                    |
| E   | Power meter <sup>[1]</sup> | The recommended power meter models are DTSU666-H, DTSU666-HW, YDS60-80, YDS60-C24, DTSU71, and DHSU1079-CT <sup>[4]</sup> .   | Purchased from Huawei                    |
| F   | EMMA <sup>[6]</sup>        | Supported models: EMMA-A01 and EMMA-A02   | Purchased from Huawei                    |
| G   | Rapid shutdown switch      | Select a proper model as required.  | Prepared by the customer                 |
| H   | Ripple control device      | Select the device that meets the power grid scheduling requirements.  | Provided by the local power grid company |

| No. | Component                   | Description  | Source                |
|-----|-----------------------------|--|-----------------------|
| I   | Smart Dongle <sup>[2]</sup> | Supported models: <ul style="list-style-type: none"> <li>WLAN-FE Smart Dongle: SDongleA-05</li> <li>4G Smart Dongle: SDongleB-06<sup>[5]</sup></li> </ul>      | Purchased from Huawei |
| J   | Battery                     | The inverter can connect to the LUNA2000.  | Purchased from Huawei |
| K   | SmartGuard                  | The three-phase SmartGuard can be used to switch the inverter between on-grid and off-grid states. Supported models: SmartGuard-63A-T0 and SmartGuard-63A-AUTO | Purchased from Huawei |

Note [1]: For details about how to operate a power meter, see [DTSU666-HW Smart Power Sensor Quick Guide](#), [DTSU666-H 100 A and 250 A Smart Power Sensor User Manual](#), [YDS60-80 Smart Power Sensor Quick Guide](#), [YDS60-C24 Smart Power Sensor Quick Guide](#), [DTSU71 Smart Power Sensor Quick Guide](#), or [DHSU1079-CT Smart Power Sensor Quick Guide](#).

Note [2]: For details about how to operate a WLAN-FE Smart Dongle SDongleA-05, see [SDongleA-05 Smart Dongle Quick Guide \(WLAN-FE\)](#). For details about how to operate a 4G Smart Dongle SDongleB-06, see [SDongleB-06 Smart Dongle Quick Guide \(4G\)](#). You can obtain these documents at <https://support.huawei.com/enterprise> by searching for models.

Note [3]: The MERC-(1300W, 1100W)-P, and MERC-600W-PA0 cannot be used together for the same inverter. Optimizers must be configured for all PV modules connected to a SUN5000 inverter. Otherwise, the inverter cannot be started.

Note [4]:

- Retain the default baud rates for the power meters. If they are changed, the power meters may go offline, generate alarms, or affect the inverter output power.
- When the SUN5000-(17K, 25K)-MB0 functions as the master inverter and needs to connect to both a power meter and batteries, if more than two batteries are connected, select one of the following meter models: DTSU666-HW, YDS60-80, YDS60-C24, DTSU71, and DHSU1079-CT. The DTSU666-H is not supported. Ensure that the baud rate for RS485-2 is negotiated to 115200 bit/s. For details about baud rate negotiation, see [F Baud Rate Negotiation](#).

Note [5]: When the SDongleB-06-CN (02314ALM-001) Smart Dongle is used, a maximum of two inverters can be cascaded.

Note [6]: For details about how to operate the EMMA, see [EMMA-\(A01, A02\) Quick Guide](#).

**Table 5-2** Cable description

| No. | Name   | Type   | Conductor Cross-Sectional Area                                 | Outer Diameter |
|-----|--|--|--|----------------|
| 1   | PE cable   | Single-core outdoor copper cable             | 10 mm <sup>2</sup>   | -              |
| 2   | AC output power cable                                | Five-core outdoor copper cable               | On-grid:<br>17K-25K: 10-16 mm <sup>2</sup>                     | 11-26 mm       |
|     |  |  | On/Off-grid & Only off-grid:<br>17K-25K: 10-16 mm <sup>2</sup> |                |
| 3   | DC input power cable                                 | Common outdoor PV cable in the industry      | 4-6 mm <sup>2</sup>  | 5.5-9 mm       |
| 4   | (Optional) Battery cable                             |  |  |                |
| 5   | (Optional) RS485 communications cable                | Two-core outdoor shielded twisted pair cable | 0.2-1 mm <sup>2</sup> (0.5 mm <sup>2</sup> recommended)        | 4-11 mm        |
| 6   | (Optional) Signal cable to the rapid shutdown switch |  |  |                |
| 7   | (Optional) Grid scheduling signal cable              |  |  |                |

 **NOTE**

- The minimum cable diameter must meet local standards.
- The factors that affect cable selection include the rated current, cable type, routing mode, ambient temperature, and maximum expected line loss.



## 5.3 Connecting a PE Cable

### Precautions

---

 **DANGER**

- Ensure that the PE cable is securely connected. Otherwise, electric shocks may occur.
- Do not connect the neutral wire to the enclosure as a PE cable. Otherwise, electric shocks may occur.

---

 **NOTE**

- The PE point at the AC output port is used only as a PE equipotential point, and cannot substitute for the PE point on the enclosure.
- It is recommended that silicone grease or paint be applied around the ground terminal after the PE cable is connected.
- When the phase wire is short-circuited to the PE point, you can set the phase-to-PE short-circuit protection switch on the app (choose **Settings** > **Feature parameters** > **Phase-to-ground short-circuit protection**). If the switch is disabled, only inverter alarm detection is performed, and the inverter can connect to the power grid and generate power normally.

### Additional Information

The inverter provides the grounding detection function. This function is used to check whether the inverter is properly grounded before the inverter starts, or check whether the ground cable is disconnected when the inverter is running. This function is only available under limited conditions. To ensure the safe operation of the inverter, properly ground the inverter according to the connection requirements of the PE cable. For some power grid types, if the output side of the inverter is connected to an isolation transformer, ensure that the inverter is properly grounded and then set **Phase-to-ground short-circuit protection** to **Disable** so that the inverter can run properly.

- According to IEC 62109, to ensure the safe operation of the inverter in the case of PE cable damage or disconnection, properly connect the PE cable of the inverter and ensure that it meets at least one of the following requirements before the grounding detection function becomes invalid.
  - If the PE terminal of the AC connector is not connected, the PE cable on the enclosure must be a single-core outdoor copper cable with a cross-sectional area of at least 10 mm<sup>2</sup>.
  - Use cables with the same diameter as the AC output power cable and ground the PE terminal on the AC connector and the ground screws on the enclosure.
- In some countries and regions, the inverter must have additional ground cables. In this case, use cables with the same diameter as the AC output power cable to ground the PE terminal of the AC connector and the ground screws of the enclosure, respectively.

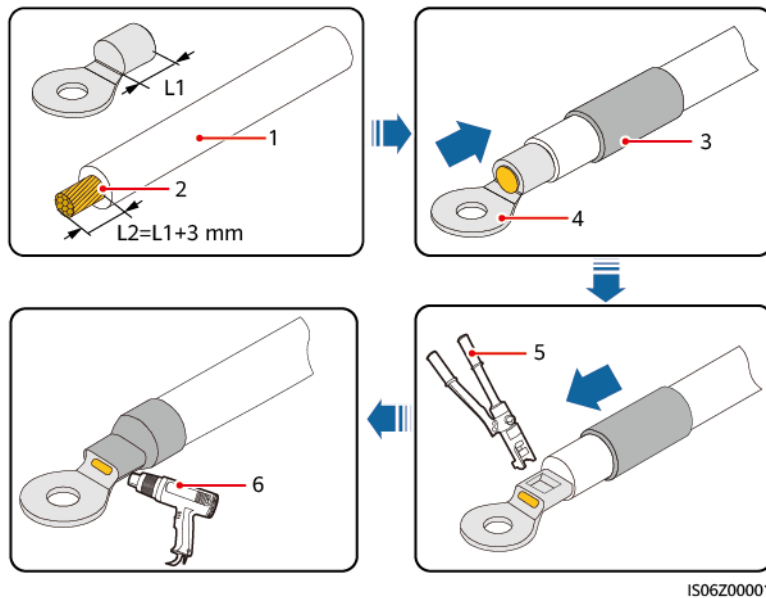
## Procedure

### Step 1 Crimp an OT terminal.

#### NOTICE

- Avoid scratching the core wire when stripping a cable.
- The cavity formed after the conductor crimp strip of the OT terminal is crimped must wrap the core wire completely. The core wire must make close contact with the OT terminal.
- Wrap the wire crimping area with heat shrink tubing or insulation tape. The heat shrink tubing is used as an example.
- Use a heat gun carefully to avoid heat damage to the equipment.

Figure 5-2 Crimping an OT terminal



(1) Cable

(2) Core wire

(3) Heat shrink tubing

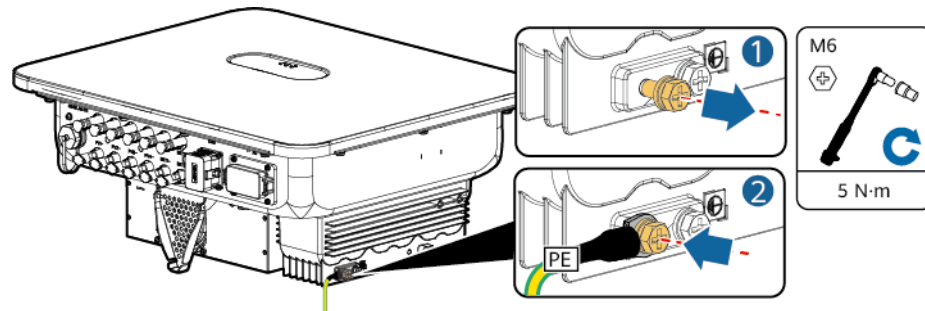
(4) OT terminal

(5) Hydraulic pliers

(6) Heat gun

### Step 2 Connect the PE cable.

Figure 5-3 Connecting the PE cable



IH08150001

----End

## 5.4 Connecting an AC Output Power Cable

### Precautions

It is recommended that a three-phase AC switch be installed on the AC side of the inverter. To ensure that the inverter can safely disconnect itself from the power grid when an exception occurs, select a proper overcurrent protection device in compliance with local power distribution regulations.

---

#### WARNING

- Do not connect loads between an inverter and an AC switch that directly connects to the inverter. Otherwise, the switch may trip by mistake.
- If an AC switch is used with specifications beyond local standards, regulations, or the Company's recommendations, the switch may fail to turn off in a timely manner in case of exceptions, causing serious faults.

---

#### CAUTION

Each inverter shall be equipped with an AC output switch. Multiple inverters shall not connect to the same AC switch.

---

The inverter is installed with an integrated residual current monitoring unit. When the inverter detects that residual current exceeds the permitted value, it disconnects from the power grid quickly.

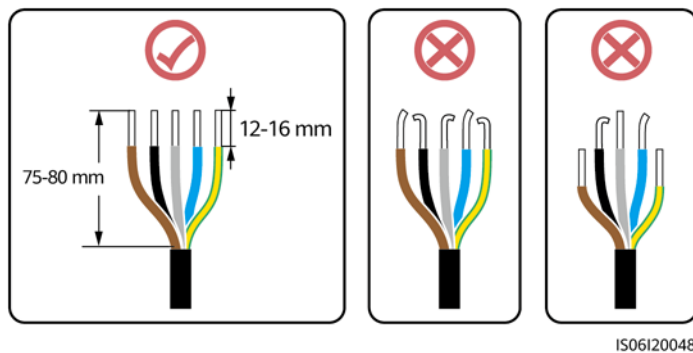
#### NOTICE

- If the external AC switch provides the leakage protection function, the rated residual operating current must be greater than or equal to 300 mA.
- If multiple inverters are connected to the master leakage protection device through their external AC switches, the rated residual operating current of the device must be greater than or equal to the number of inverters x 300 mA.
- The AC switch cannot be a knife switch.

## Procedure

**Step 1** Connect the AC output power cable to the AC connector.

**Figure 5-4** Wire stripping requirements



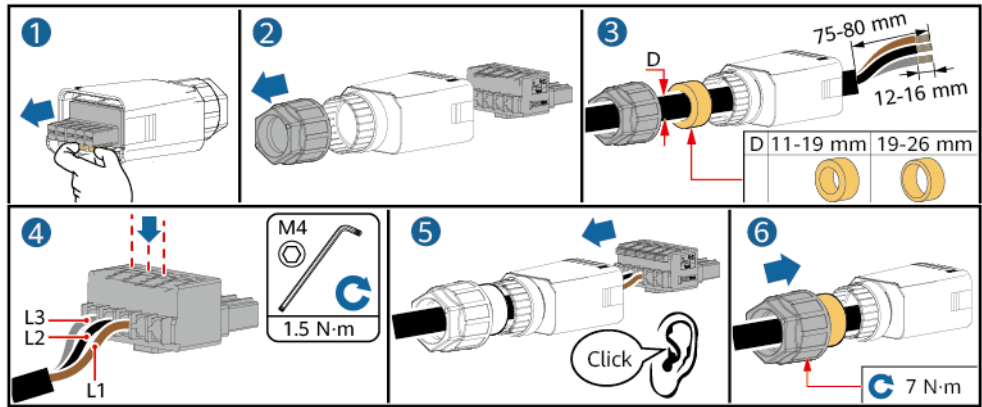
#### NOTICE

- Ensure that the cable jacket is inside the connector.
- Insert the exposed core wires completely into the holes.
- Connect the AC output cable securely. Otherwise, the device may fail to operate properly or the AC connector may be damaged.
- Ensure that the cable is not twisted.

#### NOTICE

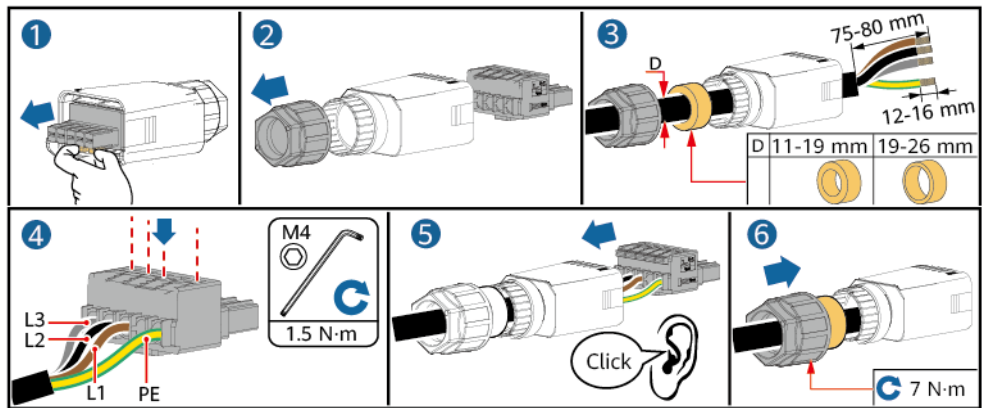
Strip the insulation layers of the AC output power cable by the recommended length (12–16 mm) to ensure that the cable conductors are completely inside the conductor insertion points and no insulation layer is pressed into the conductor insertion points. Tighten the cable conductors to a torque of 1.5 N·m. Otherwise, the device may fail to run properly or be damaged during operation.

Figure 5-5 Three-core cable (L1, L2, and L3)



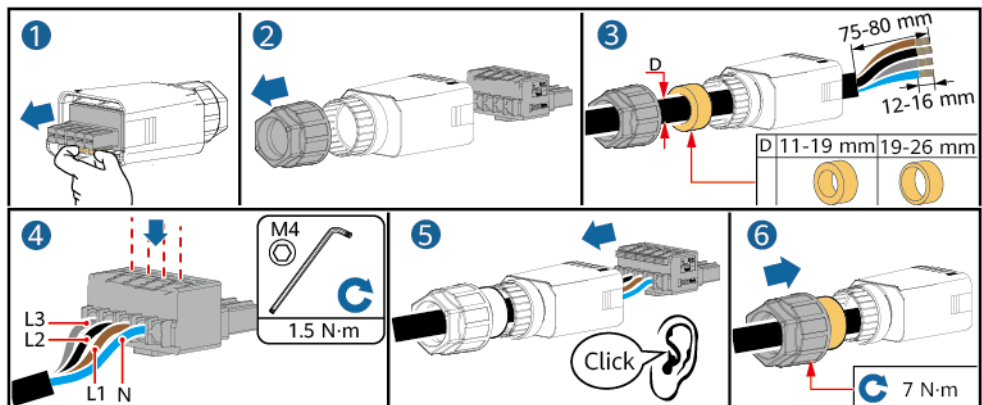
IH08Z20001

Figure 5-6 Four-core cable (L1, L2, L3, and PE)



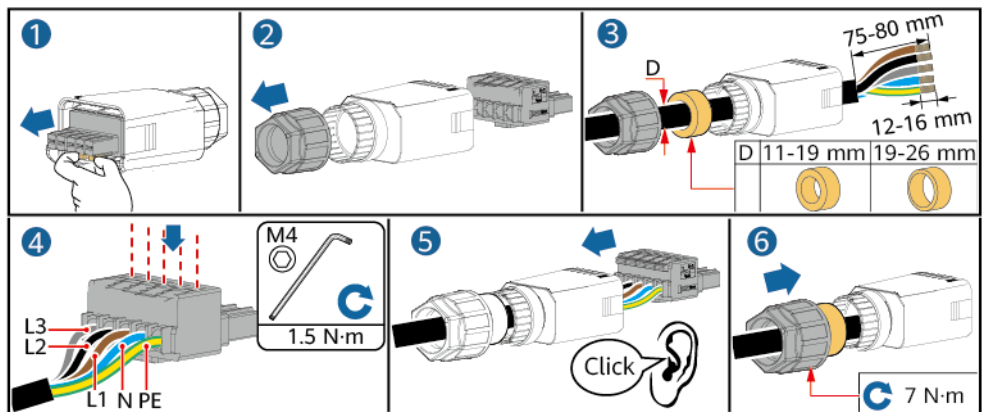
IH08Z20002

Figure 5-7 Four-core cable (L1, L2, L3, and N)



IH08Z20003

**Figure 5-8** Five-core cable (L1, L2, L3, N, and PE)



IH08Z20004

**NOTE**

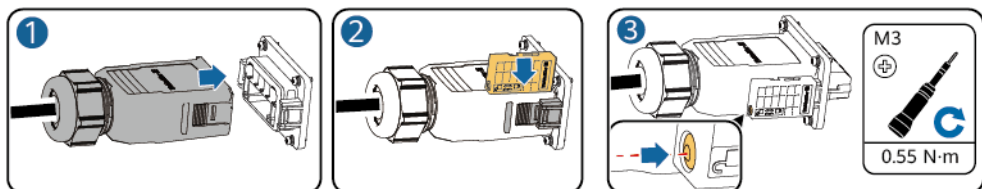
The cable colors shown in the figures are for reference only. Select an appropriate cable according to the local standards.

**Step 2** Connect the AC connector to the AC output port.

**NOTICE**

Ensure that the AC connector is connected securely.

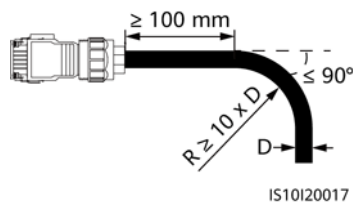
**Figure 5-9** Securing the AC connector



IH08H00006

**Step 3** Check the route of the AC output power cable.

**Figure 5-10** Cabling requirements



IS10I20017

----End

**Disconnection**

Perform the steps in reverse order to disconnect the cable.

## 5.5 Connecting DC Input Power Cables

### Precautions

---

#### DANGER

- Before connecting the DC input power cables, ensure that the DC voltage is within the safe range (lower than 60 V DC) and that the DC SWITCH on the inverter is OFF. Otherwise, the high voltage may result in electric shocks.
  - When the inverter is operating, do not perform maintenance or operations on the DC input power cables, such as connecting or disconnecting a PV string or a PV module in the PV string. Otherwise, electric shocks may occur.
  - If no PV string connects to a DC input terminal of the inverter, do not remove the waterproof cap from the DC input terminal. Otherwise, the protection level of the inverter will decrease.
- 

---

#### WARNING

Ensure that the following conditions are met. Otherwise, the inverter may be damaged or even a fire may occur.

- PV modules connected in series in each PV string are of the same specifications.
  - The maximum open-circuit voltage of each PV string must be lower than or equal to 1100 V DC under any circumstances.
  - The polarities of electric connections are correct on the DC input side. The positive and negative terminals of a PV string connect to corresponding positive and negative DC input terminals of the inverter.
  - If a DC input power cable is reversely connected, do not immediately operate on the DC SWITCH or positive/negative connectors. Wait until the night when solar irradiance declines and the PV string current drops to below 0.5 A. Then set the DC SWITCH to OFF, remove the positive and negative connectors, and correct the polarities of the DC input power cable.
- 

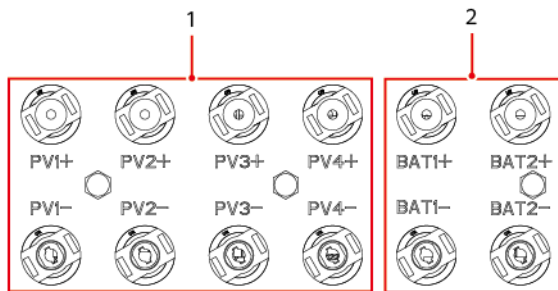
---

#### NOTICE

- The output of the PV string connected to the inverter cannot be grounded. Ensure that the PV module output is well insulated to ground.
  - The PV strings connected to the same MPPT circuit shall contain the same number and model of PV modules or optimizers.
  - During the installation of PV strings and the inverter, the positive or negative terminals of PV strings may be short-circuited to ground if the power cables are not properly installed or routed. In this case, an AC or DC short circuit may occur and damage the inverter. The resulting device damage is not covered by the product warranty.
-

## Terminal Description

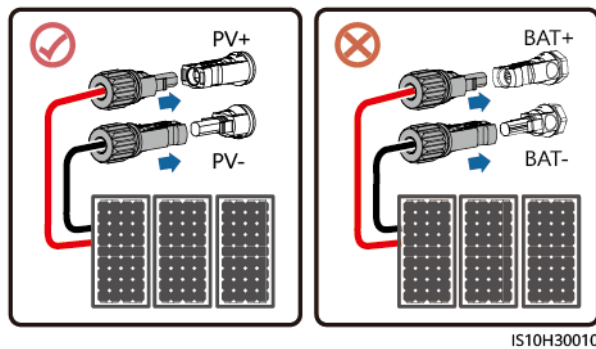
Figure 5-11 Terminals



(1) DC input terminals

(2) Battery terminals

Figure 5-12 Connection



## Procedure

### WARNING

Before inserting the positive and negative connectors into the positive and negative DC input terminals of the inverter, ensure that the DC SWITCH is set to OFF.



---

**NOTICE**

- Cables with high rigidity, such as armored cables, are not recommended as DC input power cables, because poor contact may be caused by the bending of the cables.
  - Before assembling DC connectors, label the cable polarities correctly to ensure correct cable connections.
  - After crimping the positive and negative metal terminals, pull the DC input power cables back to ensure that they are connected securely.
  - Insert the crimped metal terminals of the positive and negative power cables into the appropriate positive and negative connectors. Then pull back the DC input power cables to ensure that they are connected securely.
  - If a DC input power cable is reversely connected and the DC SWITCH is set to ON, do not immediately operate on the DC SWITCH or the positive/negative connectors. Otherwise, the device may be damaged. The resulting device damage is not covered by the product warranty. Wait until the night when solar irradiance declines and the PV string current drops to below 0.5 A. Then set the DC SWITCH to OFF, remove the positive and negative connectors, and correct the polarities of the DC input power cable.
- 

 **NOTE**

- The multimeter must have a DC voltage range of at least 1100 V. If the voltage is a negative value, the DC input polarity is incorrect. Rectify the connection. If the voltage is greater than 1100 V, too many PV modules are connected to the same string. Remove some PV modules.
- If PV strings are configured with optimizers, check the cable polarities by referring to the *Smart PV Optimizer Quick Guide*.

**Step 1** Connect DC input power cables.

---

 **CAUTION**

Use the Staubli MC4 positive and negative metal terminals and DC connectors delivered with the inverter. Using incompatible positive and negative metal terminals and DC connectors may result in serious consequences. The resulting device damage is not covered by the product warranty.

---

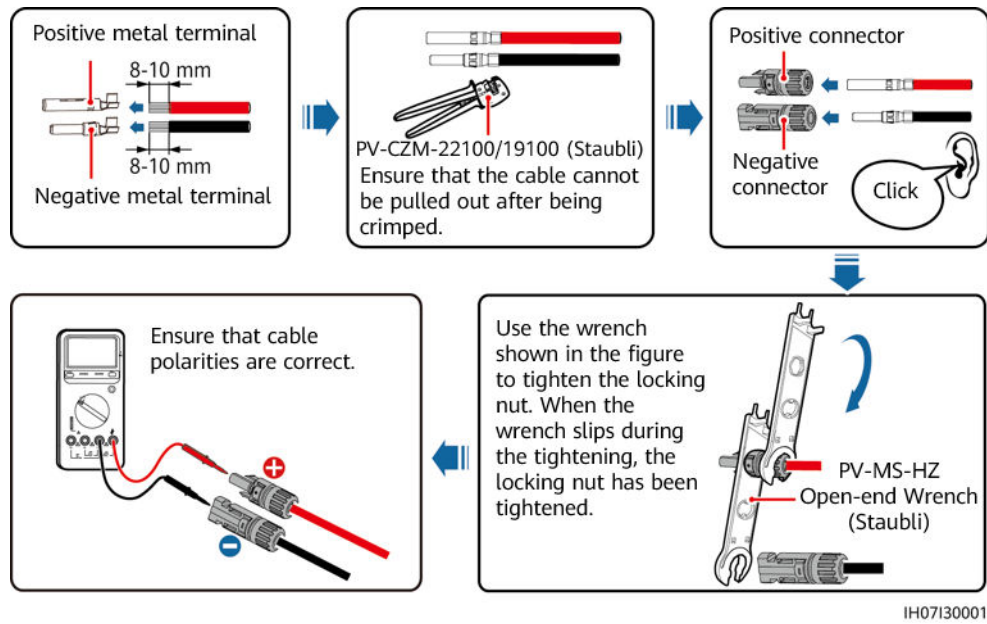
---

**NOTICE**

During DC input power cabling, leave at least 50 mm of slack. The axial tension on PV connectors must not exceed 80 N. Radial stress or torque must not be generated on PV connectors.

---

**Figure 5-13** Assembling DC connectors



----End

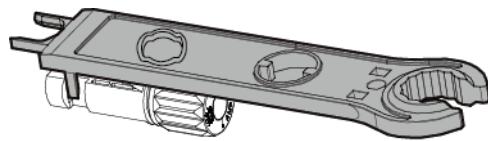
## Removing a DC Connector

**WARNING**

Before removing the positive and negative connectors, ensure that the DC SWITCH is set to OFF and that the current is less than 0.5 A.

To remove the positive and negative connectors from the inverter, insert an open-end wrench into the notch and press the wrench with an appropriate force.

**Figure 5-14** Removing a DC connector



IH07H00019

## 5.6 (Optional) Connecting Battery Cables

### Prerequisites

---

** DANGER**

- Battery short circuits may cause personal injury. The high transient current generated by a short circuit may release a surge of power and cause fire.
- Do not connect, disconnect, or perform other maintenance operations on battery cables when the inverter is running. Otherwise, electric shocks may occur.
- Before connecting the battery cables, ensure that the **DC SWITCH** on the inverter and all the switches connecting to the inverter are **OFF**, and that the inverter has no residual electricity. Otherwise, the high voltage of the inverter and battery may result in electric shocks.
- If no battery connects to the inverter, do not remove the waterproof covers from the battery terminals. Otherwise, the ingress protection (IP) rating of the inverter will be affected. If a battery connects to the inverter, keep the waterproof covers properly and reinstall them immediately after removing the connectors.

---

A battery switch can be configured between the inverter and the battery to ensure that the inverter can be safely disconnected from the battery.

---

** WARNING**

- Do not connect loads between the inverter and the battery.
- Ensure that the battery cables are connected to the battery terminals of the inverter. If a battery cable is connected incorrectly to the DC input terminal of the inverter, the inverter may be damaged or even a fire may occur.
- The battery cables must be connected correctly. That is, the positive and negative terminals of the battery connect to the positive and negative battery terminals of the inverter, respectively. Otherwise, the inverter may be damaged or even a fire may occur.

---

** WARNING**

During the installation of the ESS and the inverter, the positive or negative terminal of the ESS may be short-circuited to ground if the power cables are not properly installed or routed. In this case, an AC or DC short circuit may occur and damage the devices. The resulting device damage is not covered under any warranty.

## Procedure

- Step 1** Assemble the positive and negative connectors by referring to [5.5 Connecting DC Input Power Cables](#).

---

**⚠ DANGER**

- The battery voltage will result in serious injury. Use dedicated insulation tools to connect cables.
  - Ensure that cables are connected correctly between the terminals of the battery and the battery switch, and between the battery switch and the battery terminals of the inverter.
- 

**NOTICE**

Cables with high rigidity, such as armored cables, are not recommended as battery cables, because poor contact may be caused by the bending of the cables.

---

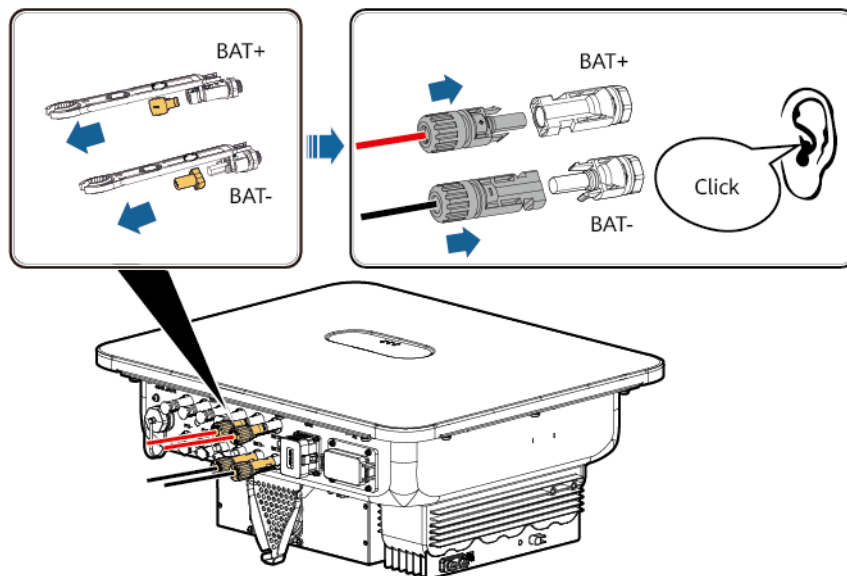
- Step 2** Insert the positive and negative connectors into corresponding battery terminals of the inverter.

**NOTICE**

After the positive and negative connectors snap into place, pull the battery cables back to ensure that they are connected securely.

---

**Figure 5-15** Connecting battery cables



IH08I30001

----End

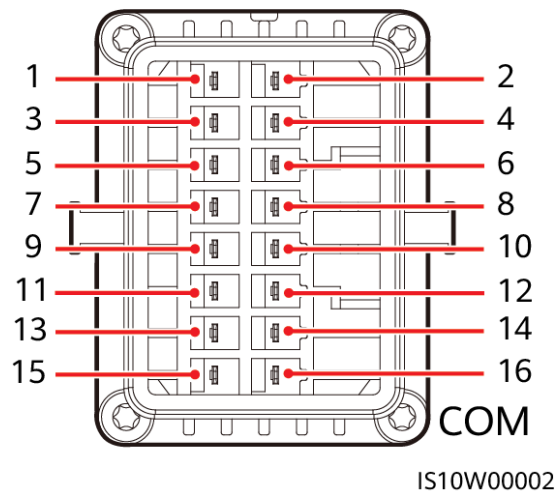
## 5.7 Connecting Signal Cables

### Communications Port Pin Definitions

#### NOTICE

- When laying out a signal cable, separate it from power cables and keep it away from strong interference sources to prevent communication interruption.
- Ensure that the protection layer of the signal cable is inside the connector, surplus core wires are cut off from the protection layer, the exposed core wires are inserted completely into the holes, and the cable is connected securely.
- Use rubber plugs to fill the cable holes where no cables are routed through the waterproof rubber rings, and tighten the locking caps to the recommended torque.

Figure 5-16 Pin definitions



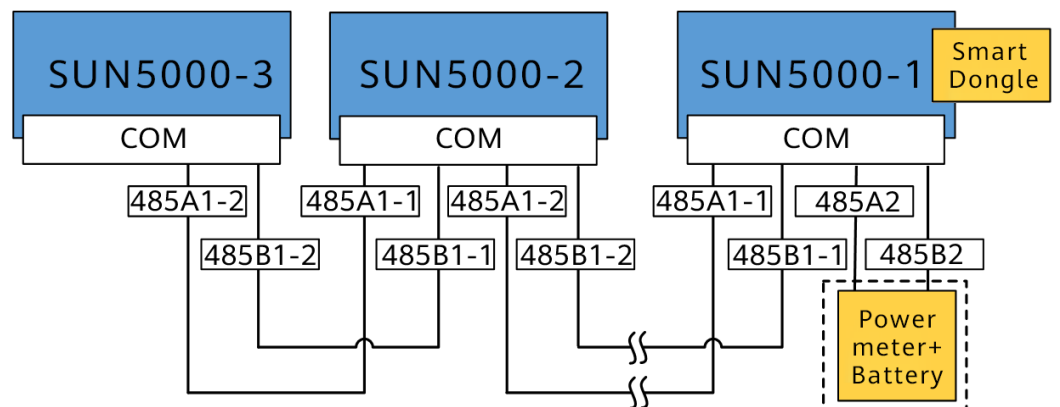
| Pin | Definition | Function                           | Description  | Pin | Definition | Function                           | Description   |
|-----|------------|------------------------------------|--|-----|------------|------------------------------------|---|
| 1   | 485A1-1    | RS485A, RS485 differential signal+ | Used for cascading inverters or connecting to the RS485 signal port of the SmartLogger, EMMA or SmartGuard.<br>When cascaded inverters and the EMMA or SmartGuard coexist, they share the 485A1 and 485B1 ports. | 2   | 485A1-2    | RS485A, RS485 differential signal+ | For inverter cascading or connecting to the RS485 signal port of a SmartLogger or EMMA<br>When cascaded inverters and the EMMA or SmartGuard coexist, they share the 485A1 and 485B1 ports. |
| 3   | 485B1-1    | RS485B, RS485 differential signal- |  | 4   | 485B1-2    | RS485B, RS485 differential signal- |   |
| 5   | PE         | Shield layer grounding             | -  | 6   | PE         | Shield layer grounding             | -   |
| 7   | 485A2      | RS485A, RS485 differential signal+ | Connecting to RS485 signal ports of devices such as power meters and batteries   | 8   | DIN1       | Digital input signal 1+            | Connecting to the power grid scheduling dry contact. Used as the feedback signal port for the SmartGuard  |

| Pin | Definition | Function                           | Description   | Pin | Definition | Function                         | Description   |
|-----|------------|------------------------------------|---|-----|------------|----------------------------------|---|
| 9   | 485B2      | RS485B, RS485 differential signal- |   | 10  | DIN2       | Digital input signal 2+          | Connecting to the power grid scheduling dry contact |
| 11  | EN         | Enable signal                      | For the enable signal of the battery  | 12  | DIN3       | Digital input signal 3+          |   |
| 13  | GND        | GND                                | -   | 14  | DIN4       | Digital input signal 4+          |   |
| 15  | DIN5       | Rapid shutdown                     | For the rapid shutdown DI signal or connecting to the signal cable of an NS protection device | 16  | GND        | GND of DIN1, DIN2, DIN3, or DIN4 | Connecting to GND of DIN1, DIN2, DIN3, or DIN4      |

### Communication Networking Mode

- Smart Dongle networking

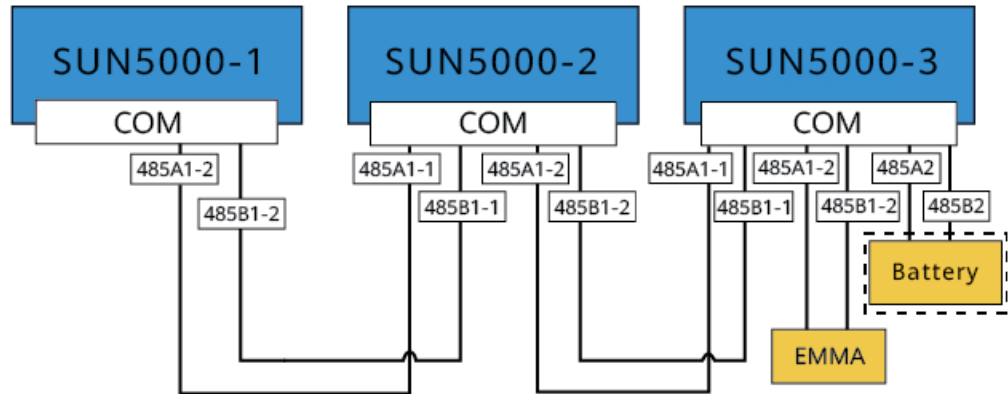
**Figure 5-17** Smart Dongle networking (the component in the dashed box is optional)



**NOTE**

- A power meter is required for export limitation. Select a power meter based on the site requirements.
- The power meter and the Smart Dongle must be connected to the same inverter.
- EMMA networking

**Figure 5-18** EMMA networking (the components in dashed boxes are optional)



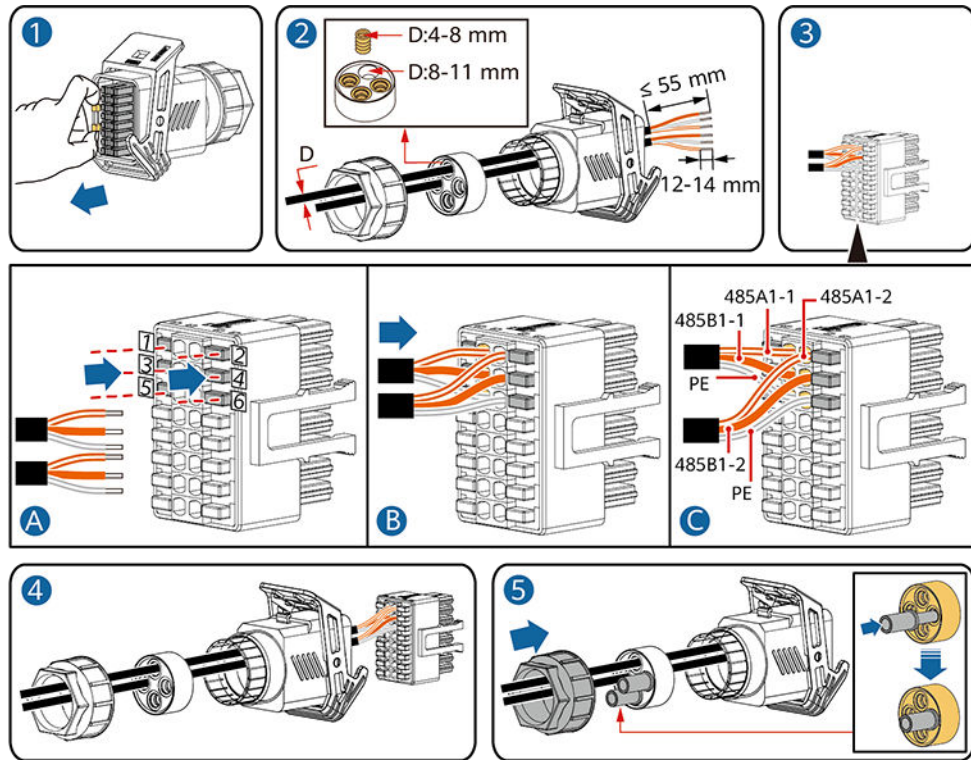
## 5.7.1 Connecting the RS485 Communications Cable (Inverter Cascading)

### Procedure

- Step 1** Connect the signal cable to the signal cable connector.



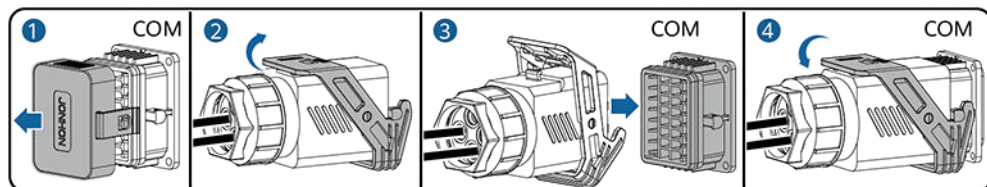
**Figure 5-19** Installing the cable



IS10120006

**Step 2** Connect the signal cable connector to the COM port.

**Figure 5-20** Securing the signal cable connector



IS10120007

----End

## 5.7.2 Connecting RS485 Communications Cables (Power Meter)

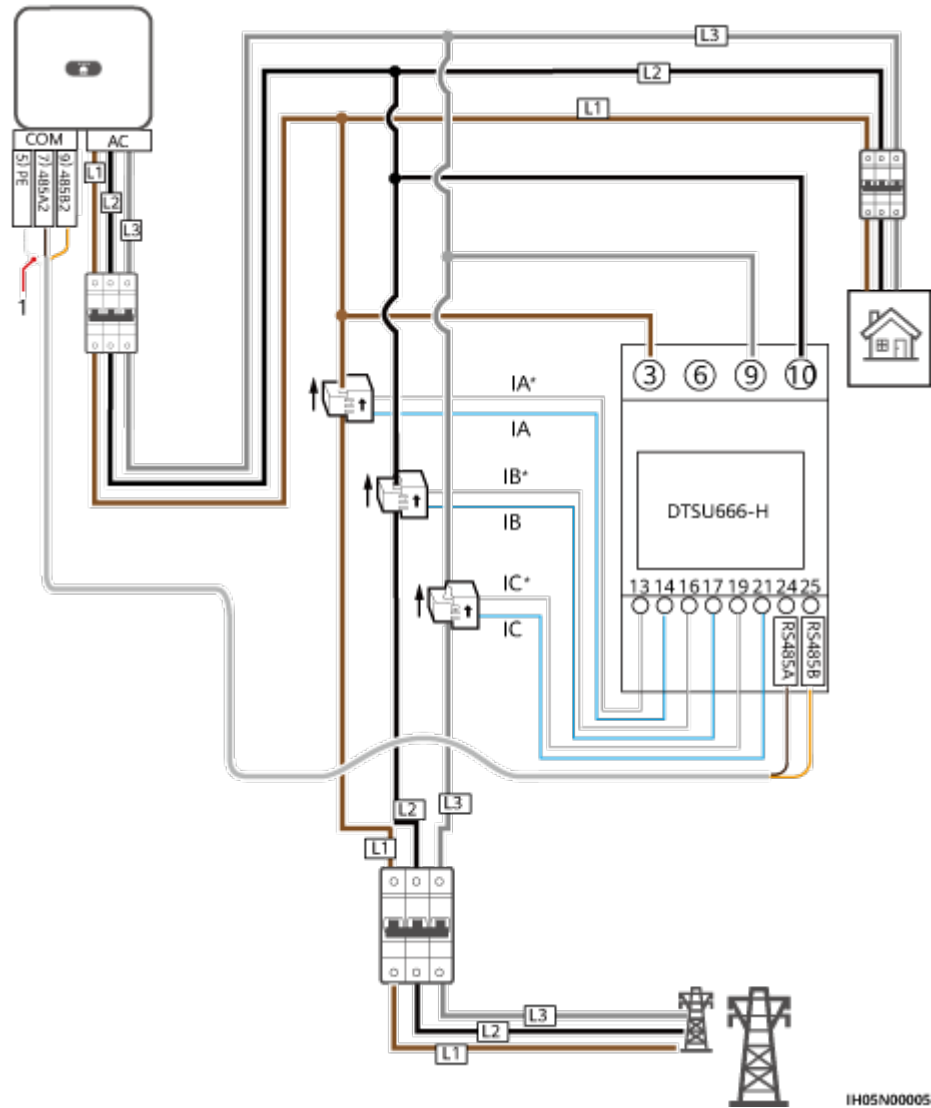
### Cable Connections

- The following figures show the cable connections between the inverter and DTSU666-H and YDS60-C24 power meters.

#### NOTE

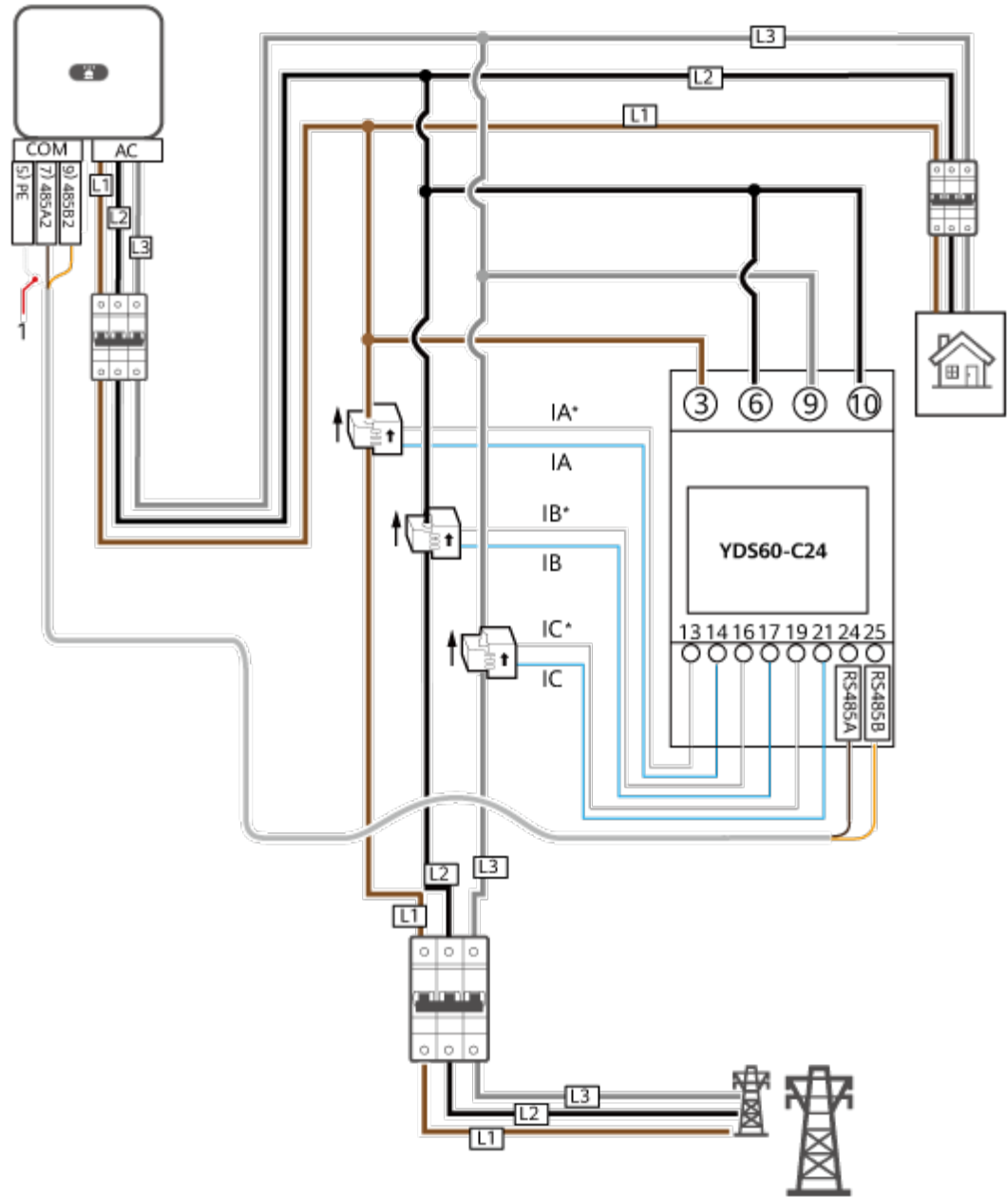
The cable connections between the DTSU71 and DHSU1079-CT power meters and the inverter are the same as those between the DTSU666-H power meter and the inverter.

**Figure 5-21** DTSU666-H three-phase, three-wire cable connection (Smart Dongle networking)



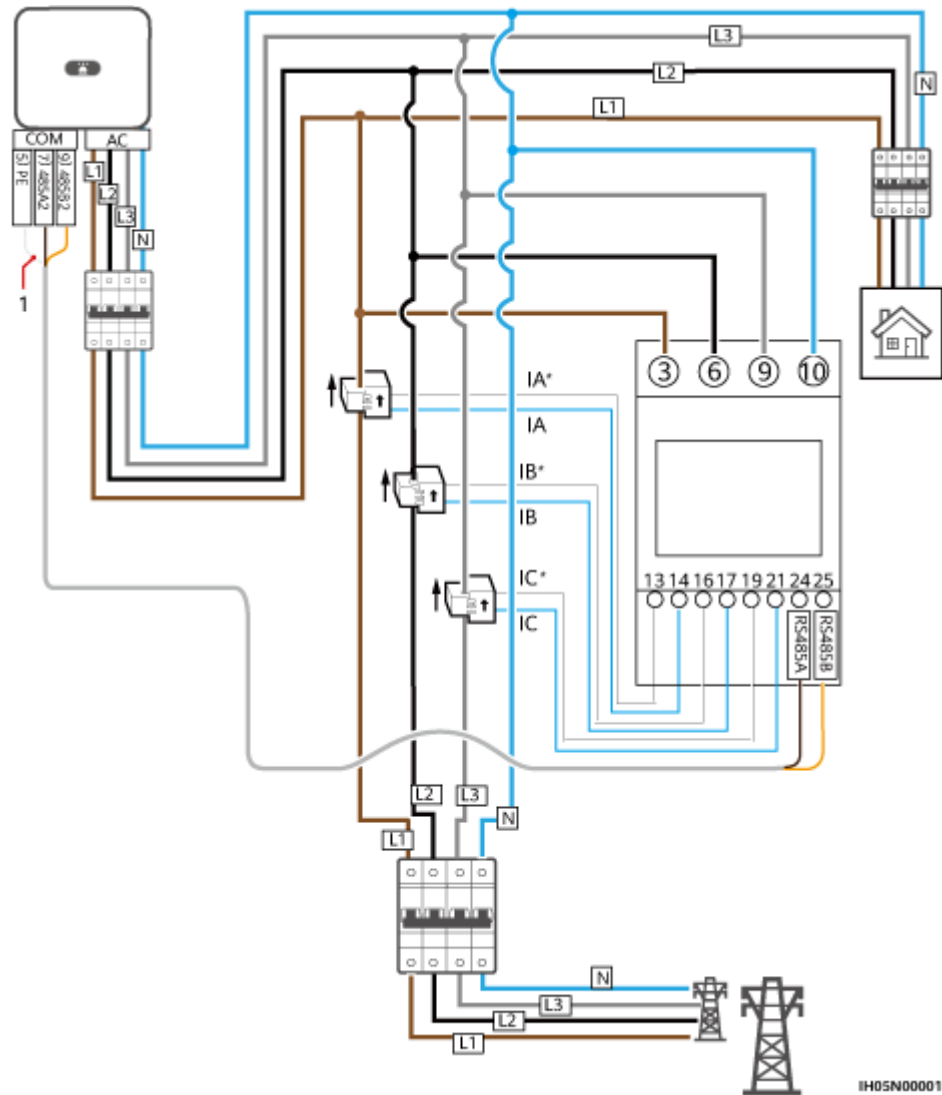
IH05N00005

**Figure 5-22** YDS60-C24 three-phase, three-wire cable connection (Smart Dongle networking)



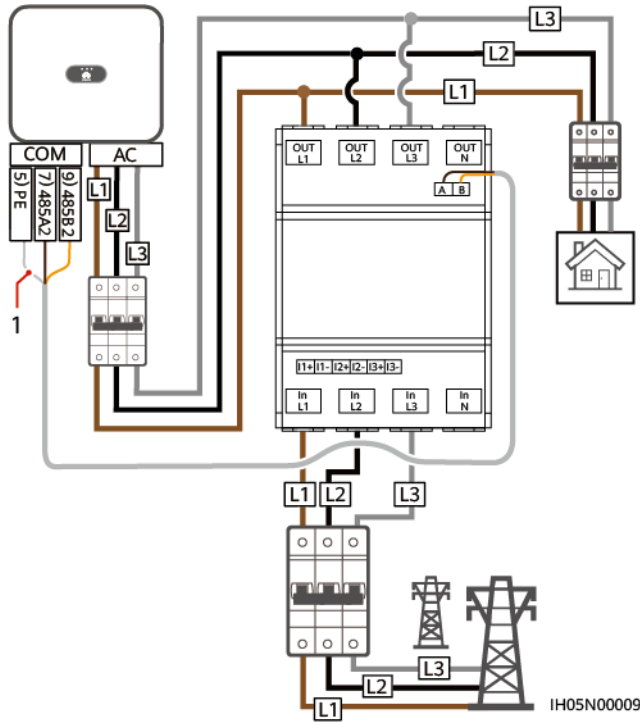
IH05N00006

Figure 5-23 Three-phase, four-wire connection (Smart Dongle networking)

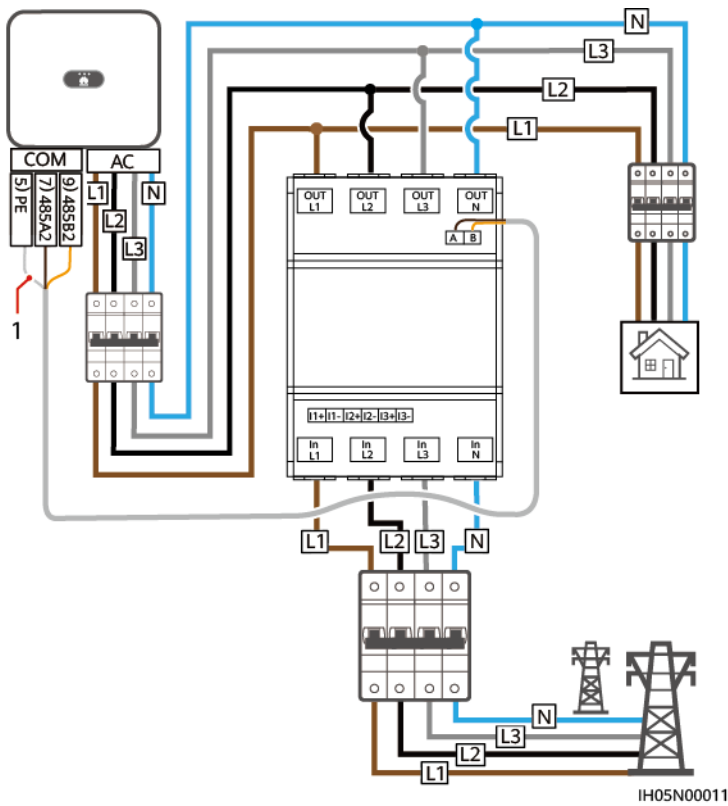


- The following figures show the cable connections between the inverter and DTSU666-HW and YDS60-80 power meters.

**Figure 5-24** Three-phase, three-wire direct connection (Smart Dongle networking)



**Figure 5-25** Three-phase, four-wire direct connection (Smart Dongle networking)



(1) Shield layer of the signal cable

**NOTE**

- The maximum current of the directly connected DTSU666-HW and YDS60-80 power meters is 80 A.
- For three-phase, three-wire connection, set the cable connection mode. Otherwise, the voltage reading is incorrect.
- Retain the default baud rates for the power meters. If they are changed, the power meters may go offline, generate alarms, or affect the inverter output power.

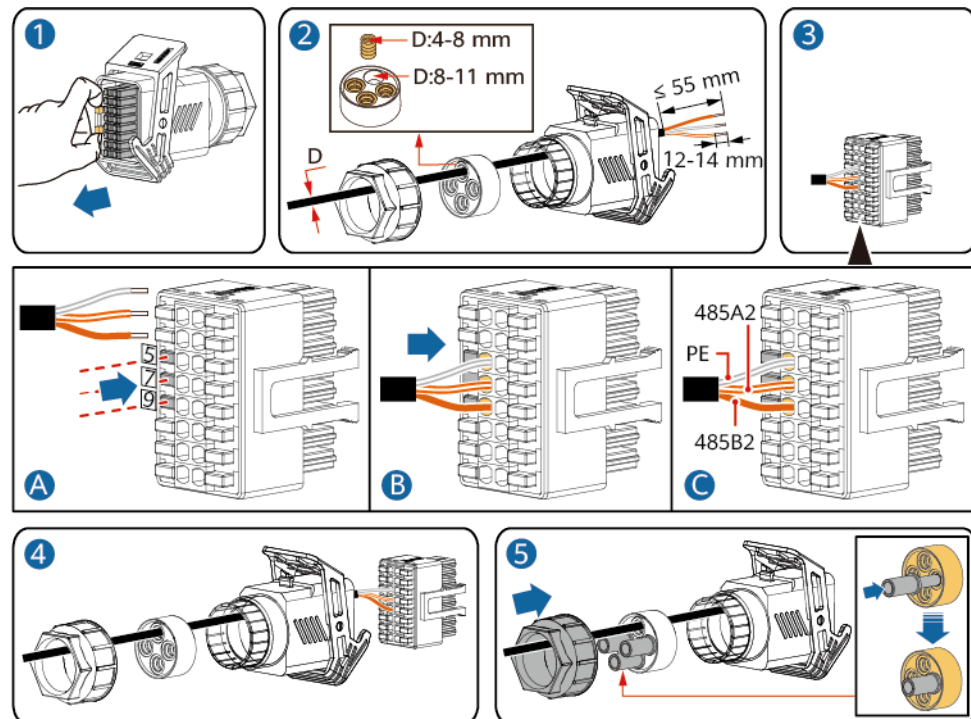
**Table 5-3** Setting the cable connection mode

| Parameter | Description  |
|-----------|--|
| nEE       | Set the cable connection mode.<br><b>0:</b> n.34 indicates three-phase, four-wire (factory default). <b>1:</b> n.33 indicates three-phase, three-wire. |

**Procedure**

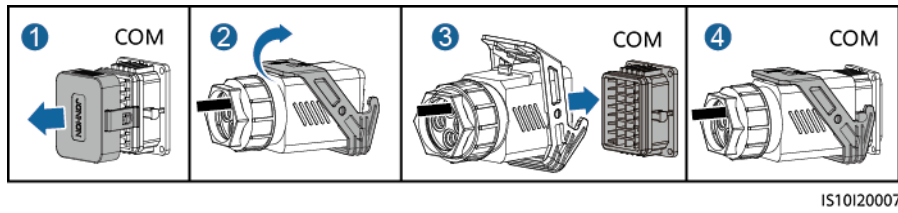
**Step 1** Connect the signal cable to the signal cable connector.

**Figure 5-26** Installing the cable



**Step 2** Connect the signal cable to the COM port.

**Figure 5-27** Securing the signal cable connector



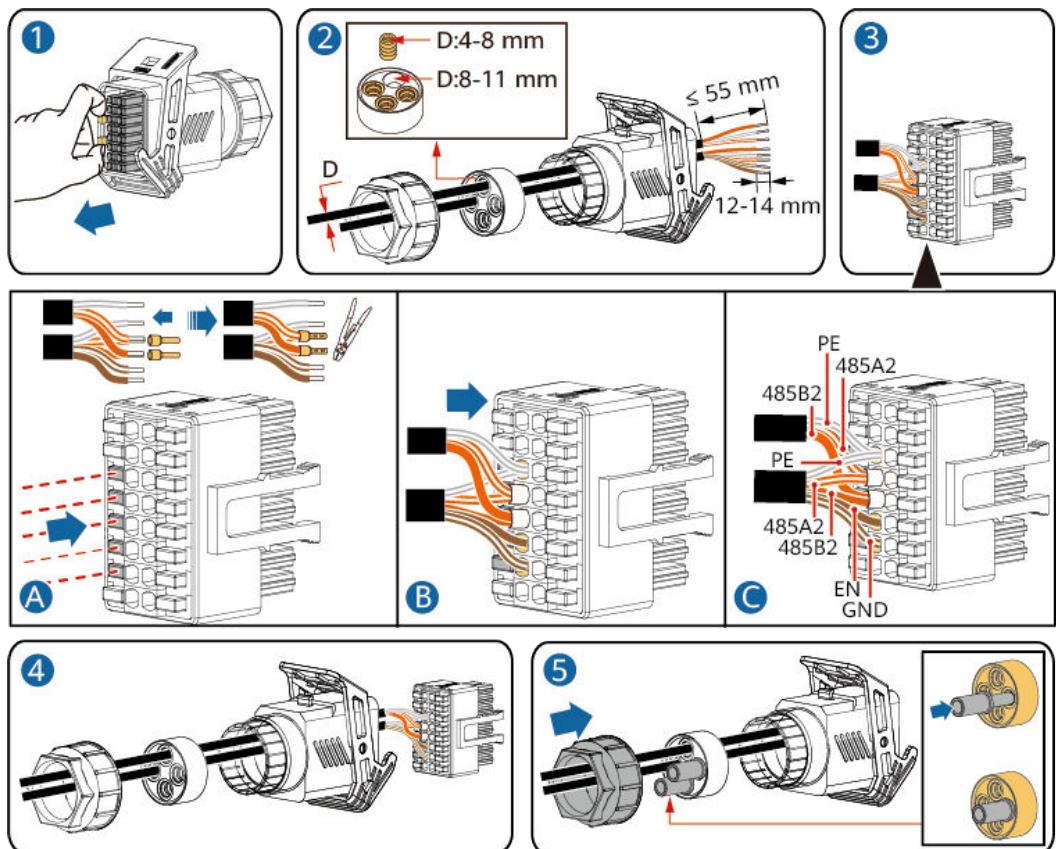
----End

### 5.7.3 Connecting RS485 Communications Cables (Power Meter and Battery)

#### Procedure

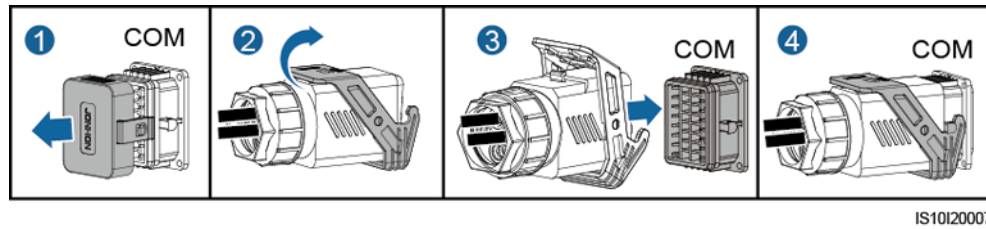
**Step 1** Connect signal cables to the signal cable connector.

**Figure 5-28** Installing cables



**Step 2** Connect the signal cable connector to the COM port.

Figure 5-29 Securing the signal cable connector



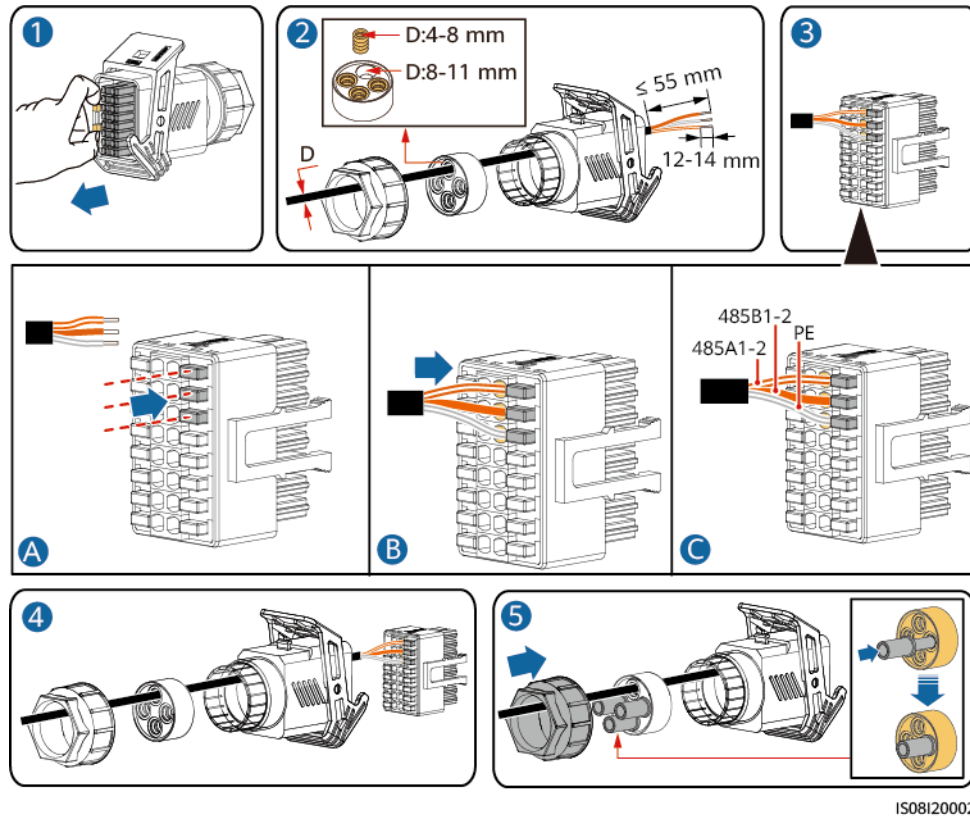
----End

## 5.7.4 Connecting RS485 Communications Cables (EMMA)

### Procedure

Step 1 Connect the signal cable to the signal cable connector.

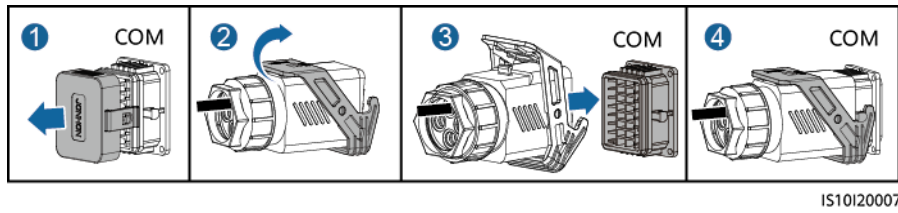
Figure 5-30 Installing the cable



Step 2 Connect the signal cable connector to the COM port.



**Figure 5-31** Securing the signal cable connector



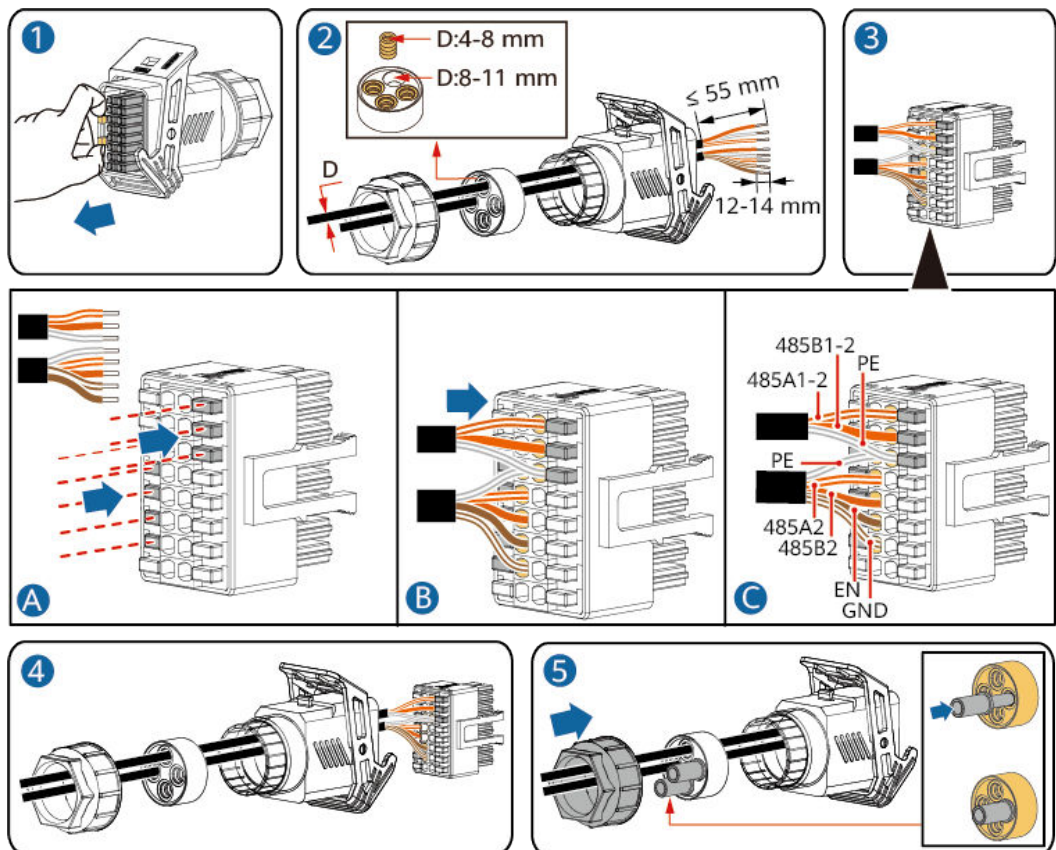
----End

## 5.7.5 Connecting RS485 Communications Cables (EMMA and Battery)

### Procedure

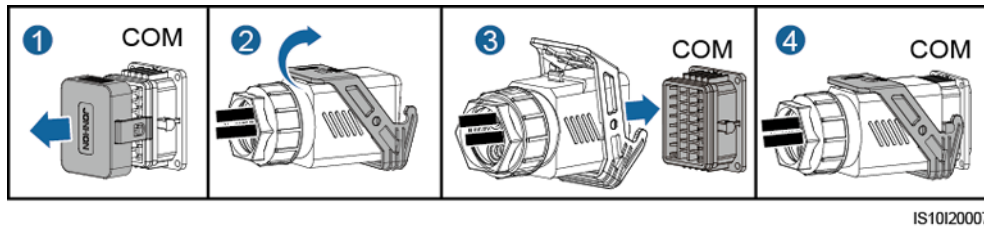
**Step 1** Connect signal cables to the signal cable connector.

**Figure 5-32** Installing cables



**Step 2** Connect the signal cable connector to the COM port.

Figure 5-33 Securing the signal cable connector



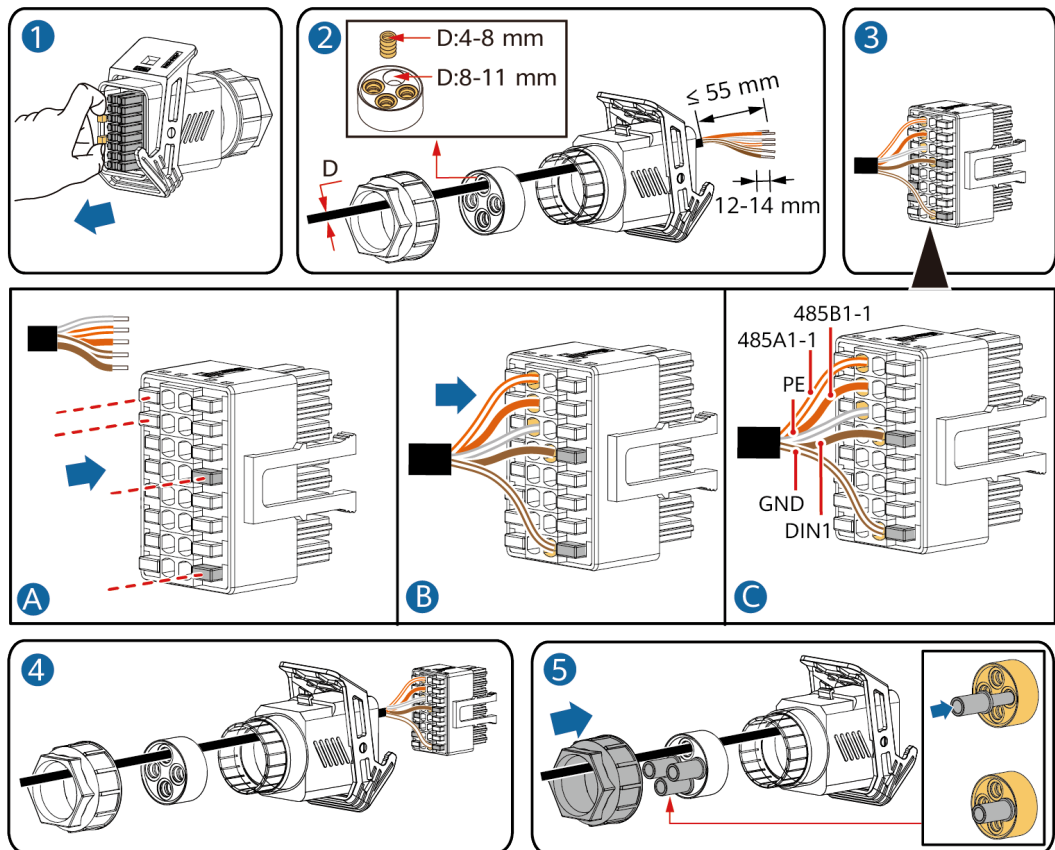
----End

## 5.7.6 Connecting RS485 Communications Cables (SmartGuard)

### Procedure

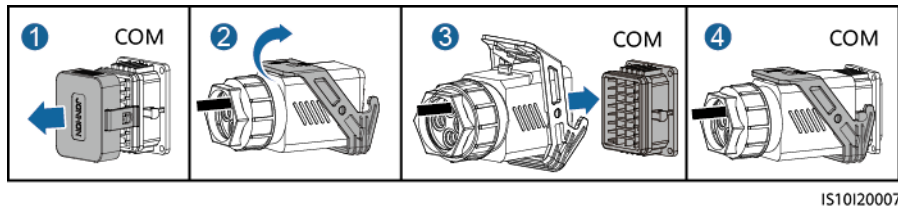
**Step 1** Connect the signal cable to the signal cable connector.

Figure 5-34 Installing the cable



**Step 2** Connect the signal cable connector to the COM port.

Figure 5-35 Securing the signal cable connector



----End

## 5.7.7 Connecting the Rapid shutdown signal cable

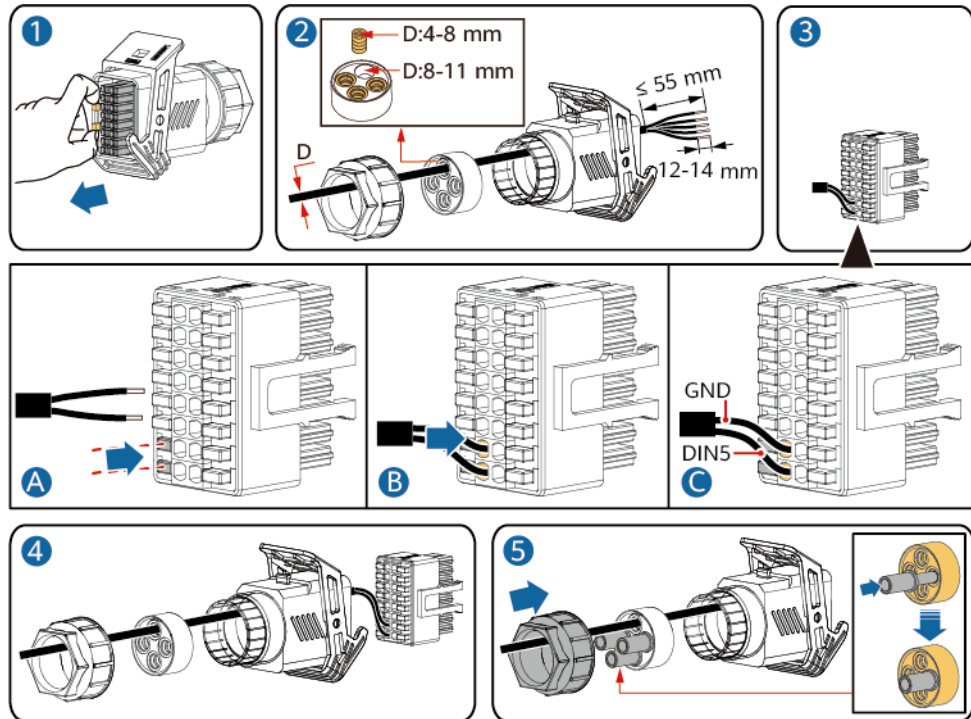
### Procedure

**Step 1** Connect the signal cable to the signal cable connector.

#### NOTICE

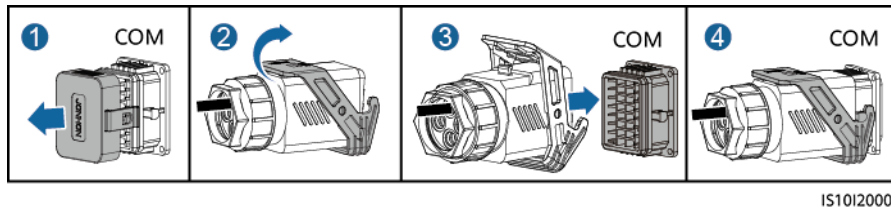
To enable the rapid shutdown function, you need to connect the access switch to pins 13 and 15. The switch is closed by default. The rapid shutdown is triggered when the switch changes from closed to open.

Figure 5-36 Installing the cable



**Step 2** Connect the signal cable connector to the COM port.

Figure 5-37 Securing the signal cable connector



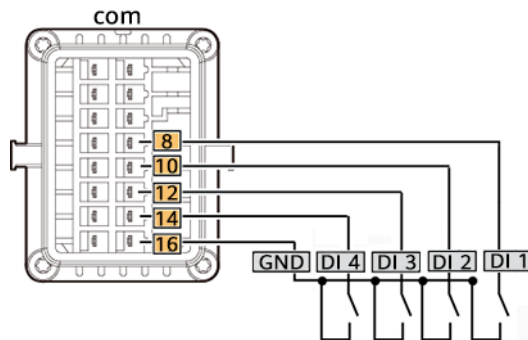
----End

## 5.7.8 Connecting the Grid Scheduling Signal Cable

### Cable Connection

The following figure shows the cable connection between the inverter and the ripple control device.

Figure 5-38 Cable connection



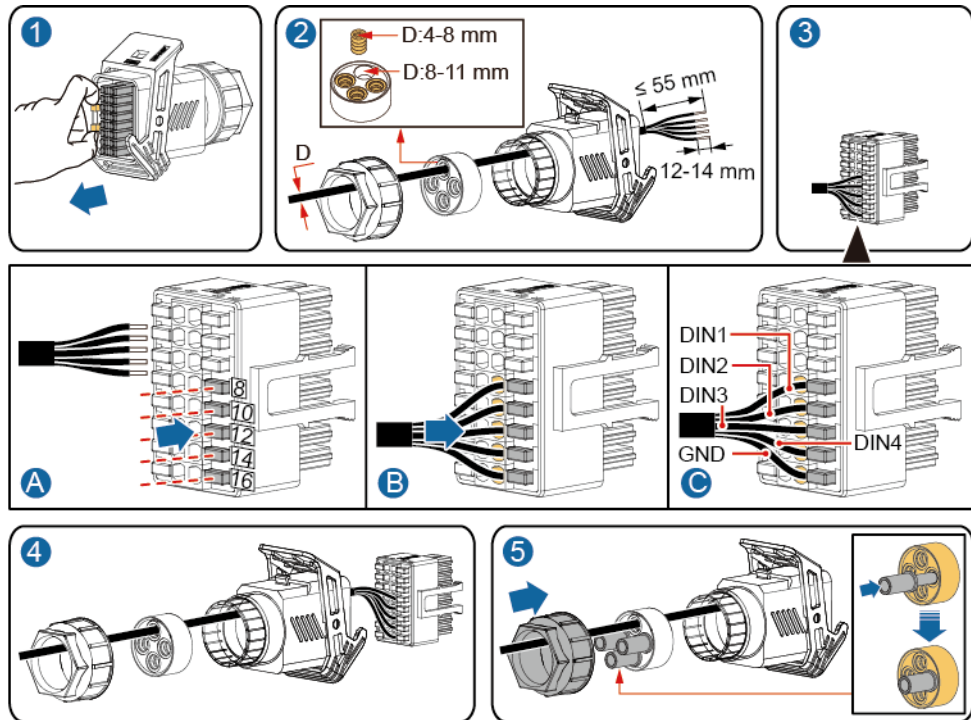
#### NOTICE

- In EMMA networking, ensure that **Dry contact scheduling** is disabled for the inverter. Otherwise, the inverter may not accept power scheduling instructions from the EMMA.
- If **Dry contact scheduling** is enabled for the inverter by mistake, choose **Settings > Power adjustment > Dry contact scheduling** on the home screen of the app and disable **Dry contact scheduling**.

### Procedure

- Step 1** Connect the signal cable to the signal cable connector.

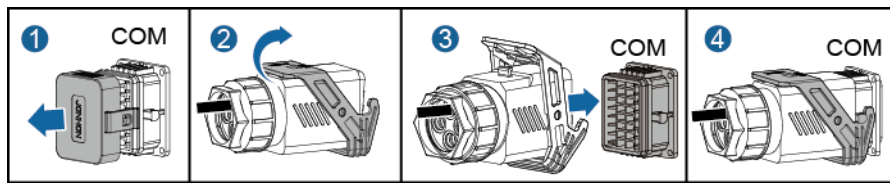
**Figure 5-39** Installing the cable



IS10I20010

**Step 2** Connect the signal cable connector to the COM port.

**Figure 5-40** Securing the signal cable connector



IS10I20007

----End

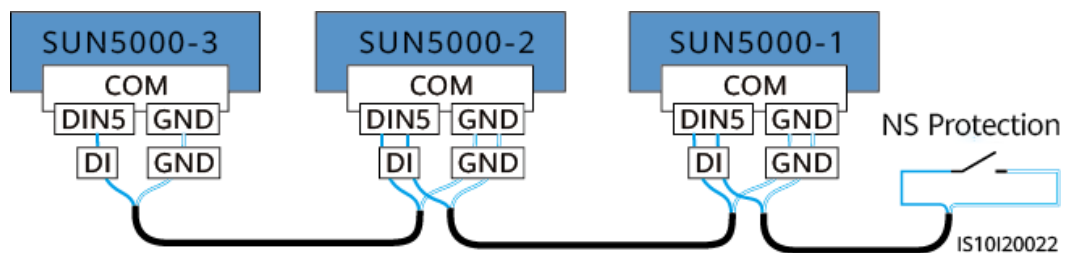
## 5.7.9 Connecting NS Protection Signal Cables

### Connecting NS Protection Signal Cables to Inverters

 NOTE

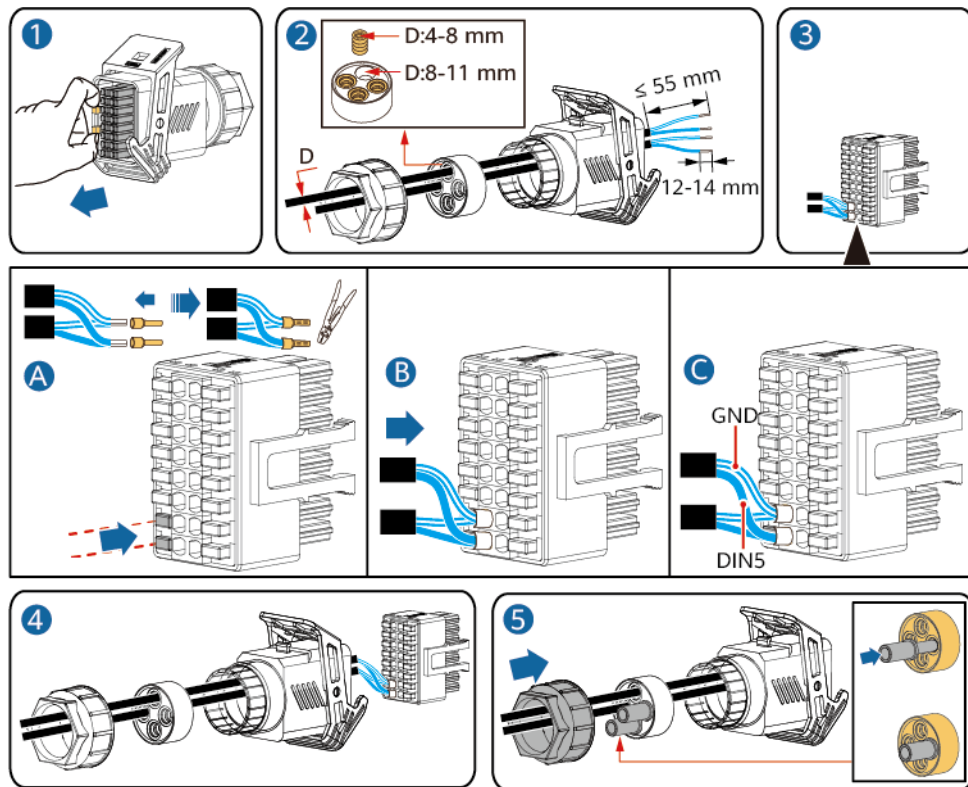
- The NS protection function is applicable to grid code **VDE-AR-N-4105**, **SWITZERLAND-NA/EEA:2020-LV230**, or **FINLAND-EN50549-LV230**.
- The NS protection switch is connected to GND (pin 1) at one end and to DIN5 (pin 6) at the other end. The switch is turned off by default. When the switch is turned on, NS protection is triggered. Rapid shutdown and NS protection use the same pins, which are GND (pin 1) and DIN5 (pin 6). Therefore, you can use only one of the functions.
- The NS protection switch connection is the same for a single inverter and for cascaded inverters.
- Log in to the FusionSolar app as an installer, choose **Me > Device commissioning**, and connect to the WLAN hotspot of the inverter. Log in to the local commissioning system as an installer, choose **Settings > Feature parameters > Dry contact function**, and set **Dry contact function** to **NS protection**.

**Figure 5-41** Connecting cascaded inverters to the NS protection switch



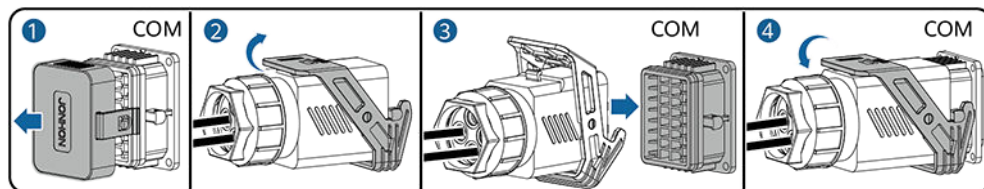
**Step 1** Connect signal cables to the signal cable connector (for inverter cascading).

Figure 5-42 Installing cables



**Step 2** Connect the signal cable connector to the COM port.

Figure 5-43 Securing the signal cable connector



----End

NOTE

•

## 5.8 (Optional) Installing the Smart Dongle and Anti-theft Components

NOTE

- If WLAN-FE communication is used, install the WLAN-FE Smart Dongle (SDongleA-05). For details, see [SDongleA-05 Smart Dongle Quick Guide \(WLAN-FE\)](#).
- If 4G communication is used, install the 4G Smart Dongle (SDongleB-06). For details, see [SDongleB-06 Smart Dongle Quick Guide \(4G\)](#).

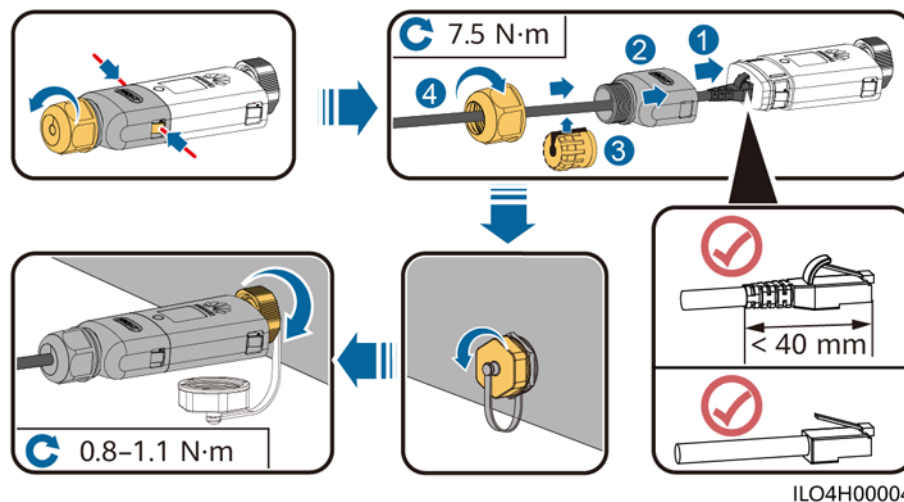
**NOTE**

If the Smart Dongle is used, you need to install anti-theft components after installing the Smart Dongle.

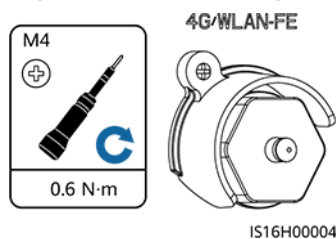
### WLAN-FE Smart Dongle (FE Communication)

You are advised to use a CAT 5E outdoor shielded network cable (outer diameter < 9 mm; internal resistance ≤ 1.5 ohms/10 m) and shielded RJ45 connectors.

**Figure 5-44** Installing a WLAN-FE Smart Dongle (FE communication)



**Figure 5-45** Installing anti-theft components for the Smart Dongle



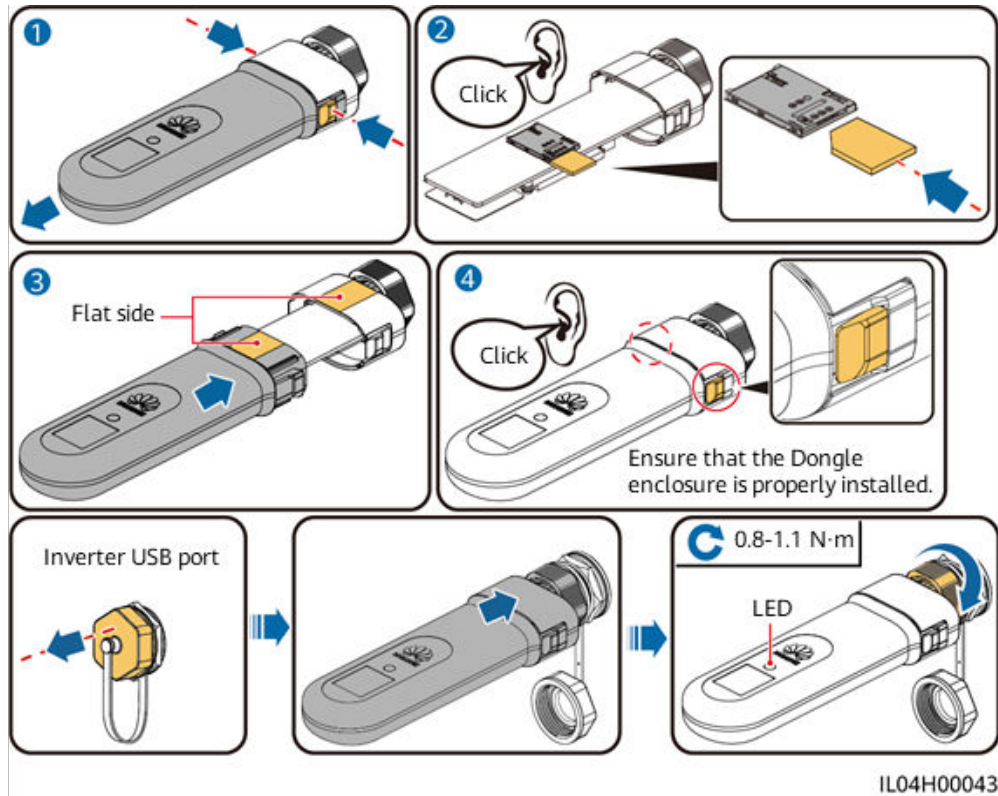
### 4G Smart Dongle (4G Communication)

**NOTE**

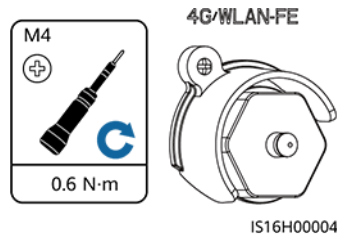
- If you prepared a Smart Dongle without a SIM card, you need to prepare a standard SIM card (size: 25 mm x 15 mm) with the capacity greater than or equal to 64 KB.
- When installing the SIM card, determine its installation direction based on the silk screen and arrow on the card slot.
- Press the SIM card in place to lock it, indicating that the SIM card is correctly installed.
- When removing the SIM card, push it inwards to eject it.
- When reinstalling the cover of the Smart Dongle, ensure that the buckles spring back in place with a click sound.



**Figure 5-46** Installing the 4G Smart Dongle (SDongleB-06)



**Figure 5-47** Installing anti-theft components for the Smart Dongle



# 6 Check Before Power-On

**Table 6-1** Installation checklist

| No. | Check Item                 | Acceptance Criteria  |
|-----|----------------------------|--|
| 1   | Inverter installation      | The inverter is installed correctly, securely, and reliably.   |
| 2   | Smart Dongle               | The Smart Dongle is installed correctly and securely.  |
| 3   | Cable layout               | Cables are routed properly as required by the customer.  |
| 4   | Cable tie                  | Cable ties are secured evenly and no burr exists.  |
| 5   | Grounding                  | The ground cable is connected correctly, securely, and reliably.   |
| 6   | Turn off the switches      | The <b>DC SWITCH</b> and all the switches connected to the inverter are set to <b>OFF</b> .                        |
| 7   | Cable connections          | The AC output power cable, DC input power cable, and signal cable are connected correctly, securely, and reliably. |
| 8   | Unused terminals and ports | Unused terminals and ports are locked by watertight caps.  |
| 9   | Installation environment   | The installation space is proper, and the installation environment is clean and tidy, without foreign matter.      |

# 7 Power-On and Commissioning

## DANGER

- Wear personal protective equipment and use dedicated insulated tools to avoid electric shocks or short circuits.

## 7.1 Powering On the Inverter

### Precautions

#### NOTICE

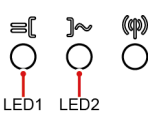
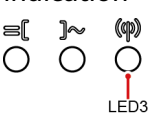
- Before the equipment is put into operation for the first time, ensure that the parameters are set correctly by professional personnel. Incorrect parameter settings may result in noncompliance with local grid connection requirements and affect the normal operations of the equipment.
- If the DC power supply is connected but the AC power supply is disconnected, the inverter will report a **Grid Failure** alarm. The inverter can start properly only after the power grid recovers.

### Procedure

- Step 1** If a battery is connected, turn on the battery switch first.
- Step 2** At the AC switch between the inverter and the power grid, use a multimeter to measure the grid voltage and ensure that the voltage is within the allowed operating voltage range of the inverter. If the voltage is not in the allowed range, check the circuits.
- Step 3** Turn on the AC switch between the inverter and the power grid.
- Step 4** Turn on the DC switch (if any) between the PV strings and the inverter.
- Step 5** Set the DC SWITCH on the inverter to ON.

**Step 6** Observe the LED indicators to check the status of the inverter.

**Table 7-1** LED indicator description

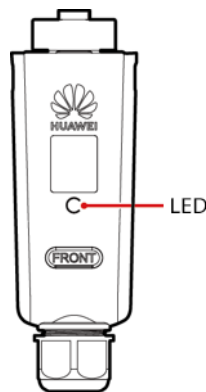
| Category  | Status   |  | Description   |
|---|--|--|---|
| Running indication<br>         | <b>LED1</b>                                      | <b>LED2</b>                                      | -   |
|   | Steady green                                     | Steady green                                     | The inverter is operating in grid-tied mode.  |
|   | Blinking green slowly (on for 1s and off for 1s) | Off  | The DC is on and the AC is off.   |
|   | Blinking green slowly (on for 1s and off for 1s) | Blinking green slowly (on for 1s and off for 1s) | Both the DC and AC are on, and the inverter is off-grid.  |
|   | Off  | Blinking green slowly (on for 1s and off for 1s) | The DC is off and the AC is on.   |
|   | Off  | Off  | Both the DC and AC are off.   |
|   | Blinking red fast (on for 0.2s and off for 0.2s) | -  | There is a DC environmental alarm, such as <b>High String Input Voltage, String Reverse Connection, or Low Insulation Resistance.</b> |
|   | -  | Blinking red fast                                | There is an AC environmental alarm, such as <b>Grid Undervoltage, Grid Overvoltage, Grid Overfrequency, or Grid Underfrequency.</b>   |
|   | Steady red                                       | Steady red                                       | A fault exists.   |
| Communication indication<br> | <b>LED3</b>                                      |  | -   |

| Category                      | Status   |             |             | Description  |
|-------------------------------|--|-------------|-------------|--|
|                               | Blinking green fast (on for 0.2s and off for 0.2s) |             |             | Communication is in progress. (When a mobile phone is connected to the inverter, the indicator first blinks green slowly, indicating that the phone is connected to the inverter.) |
|                               | Blinking green slowly (on for 1s and off for 1s)   |             |             | The mobile phone is connected to the inverter.   |
|                               | Off  |             |             | There is no communication.   |
| Device replacement indication | <b>LED1</b>  | <b>LED2</b> | <b>LED3</b> | -  |
|                               | Steady red   | Steady red  | Steady red  | The inverter hardware is faulty and needs to be replaced.  |

**Step 7** (Optional) Observe the Smart Dongle LED indicator to check the status of the Smart Dongle.

- WLAN-FE Smart Dongle

**Figure 7-1** WLAN-FE Smart Dongle



**Table 7-2** Indicator description

| LED Indicator | Status | Remarks | Description  |
|---------------|--------|---------|--|
| -             | Off    | Normal  | The Smart Dongle is not secured or not powered on. |

| LED Indicator                                     | Status   | Remarks  | Description   |
|---|--|----------|---|
| Yellow<br>(blinking green and red simultaneously) | Steady on                                      |          | The Smart Dongle is secured and powered on.   |
| Red   | Blinking fast (on for 0.2s and off for 0.2s)   |          | The parameters for connecting to the router are to be set.  |
| Red   | Steady on                                      | Abnormal | The Smart Dongle is faulty and needs to be replaced.  |
| Blinking red and green alternately                | Blinking slowly (on for 1s and off for 1s)     | Abnormal | No communication with the inverter:<br>- Remove and then insert the Smart Dongle.<br>- Check whether the inverter matches the Smart Dongle.<br>- Connect the Smart Dongle to another inverter.<br>Check whether the Smart Dongle is faulty or the USB port of the inverter is faulty. |
| Green   | Blinking slowly (on for 0.5s and off for 0.5s) | Normal   | Connecting to the router  |
| Green   | Steady on                                      |          | The management system is successfully connected.  |
| Green   | Blinking fast (on for 0.2s and off for 0.2s)   |          | The inverter is communicating with the management system through the Smart Dongle.  |

- 4G Smart Dongle

**Table 7-3** Indicator description

| LED Indicator | Status | Remarks | Description  |
|---------------|--------|---------|--|
| -             | Off    | Normal  | The Smart Dongle is not secured or not powered on. |

| LED Indicator                                     | Status   | Remarks  | Description  |
|---|--|----------|--|
| Yellow<br>(blinking green and red simultaneously) | Steady on  | Normal   | The Smart Dongle is secured and powered on.  |
| Green   | The blinking interval is 2s. The indicator is on for 0.1s and off for 1.9s.        | Normal   | Dialing (lasts for less than 1 minute)   |
|   |  | Abnormal | If the duration is longer than 1 minute, the 4G parameter settings are incorrect. Re-configure the parameters.   |
|   | Blinking slowly (on for 1s and off for 1s)   | Normal   | The dialup is successful (lasts for less than 30s).  |
|   |  | Abnormal | If the duration is longer than 30s, the management system parameters are incorrectly set. Re-configure the parameters.   |
|   | Steady on  | Normal   | The management system is successfully connected.   |
| Blinking fast (on for 0.2s and off for 0.2s)      | The inverter is communicating with the management system through the Smart Dongle. |          |  |
| Red   | Steady on  | Abnormal | The Smart Dongle is faulty and needs to be replaced.   |
|   | Blinking fast (on for 0.2s and off for 0.2s)                                       |          | The Smart Dongle has no SIM card or the SIM card is in poor contact. Check whether the SIM card has been installed or is in good contact. If not, install a SIM card or remove and re-insert the SIM card. |

| LED Indicator                      | Status                                     | Remarks | Description  |
|------------------------------------|--|---------|--|
|                                    | Blinking slowly (on for 1s and off for 1s) |         | The Smart Dongle fails to be connected to a management system because the SIM card has poor or no reception, or has run out of mobile data. If the Smart Dongle is reliably connected, check the SIM card connectivity through the app. If you have poor or no reception, contact the carrier. Check whether the tariff and mobile data plan of the SIM card are adequate. If not, ensure sufficient balance in the SIM card or purchase a data package. |
| Blinking red and green alternately | Blinking slowly (on for 1s and off for 1s) |         | No communication with the inverter:<br><ul style="list-style-type: none"> <li>– Remove and then insert the Smart Dongle.</li> <li>– Check whether the inverter matches the Smart Dongle.</li> <li>– Connect the Smart Dongle to another inverter.</li> </ul> Check whether the Smart Dongle is faulty or the USB port of the inverter is faulty.   |

----End

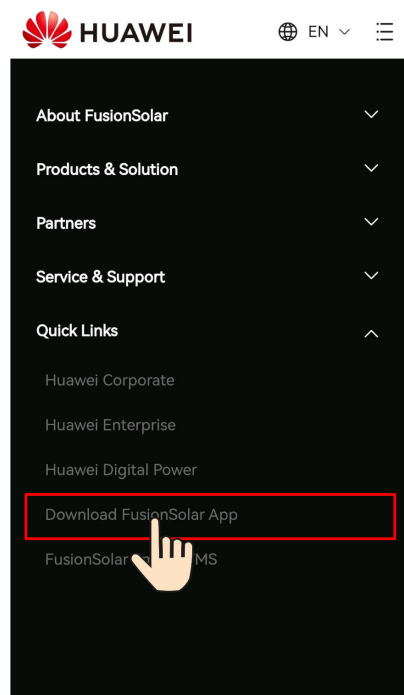
## 7.2 Creating a Plant

### 7.2.1 Downloading the FusionSolar App

- Method 1: Access <https://solar.huawei.com> using the mobile phone browser and download the latest installation package.



Figure 7-2 Downloading the app



- Method 2: Search for **FusionSolar** on Huawei AppGallery and download the latest installation package.
- Method 3: Scan the QR code and download the latest installation package.

Figure 7-3 QR code



FusionSolar

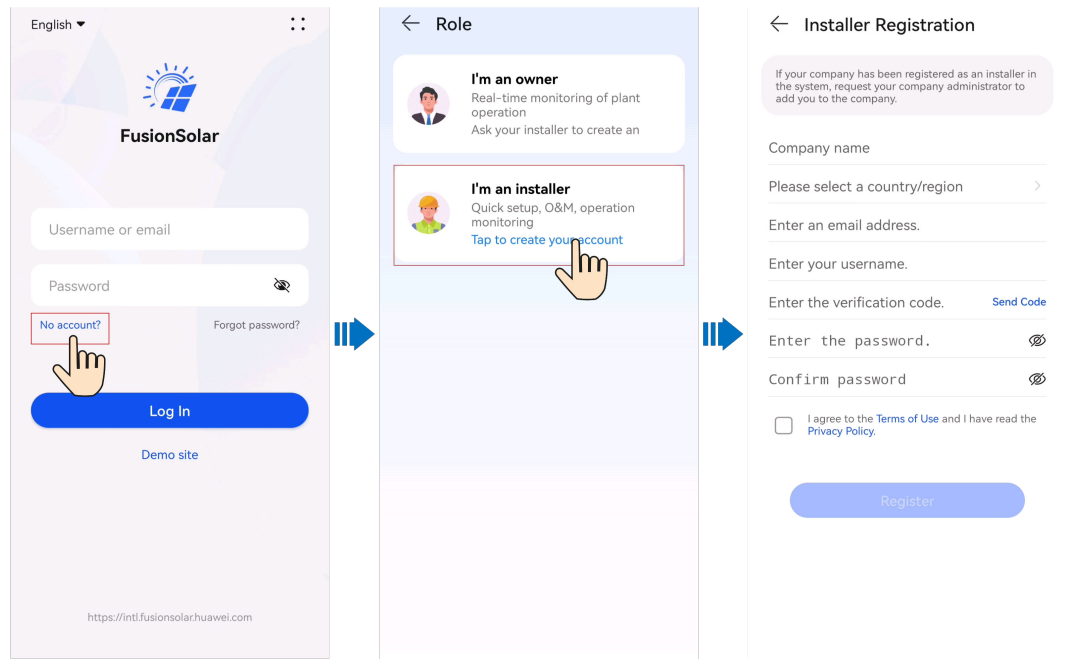
## 7.2.2 (Optional) Registering an Installer Account

### NOTE

- If you have an installer account, skip this step.
- You can register an account only using a mobile phone only in China.
- The mobile number or email address used for registration is the user name for logging in to the FusionSolar App.

Create the first installer account and create a domain named after the company name.

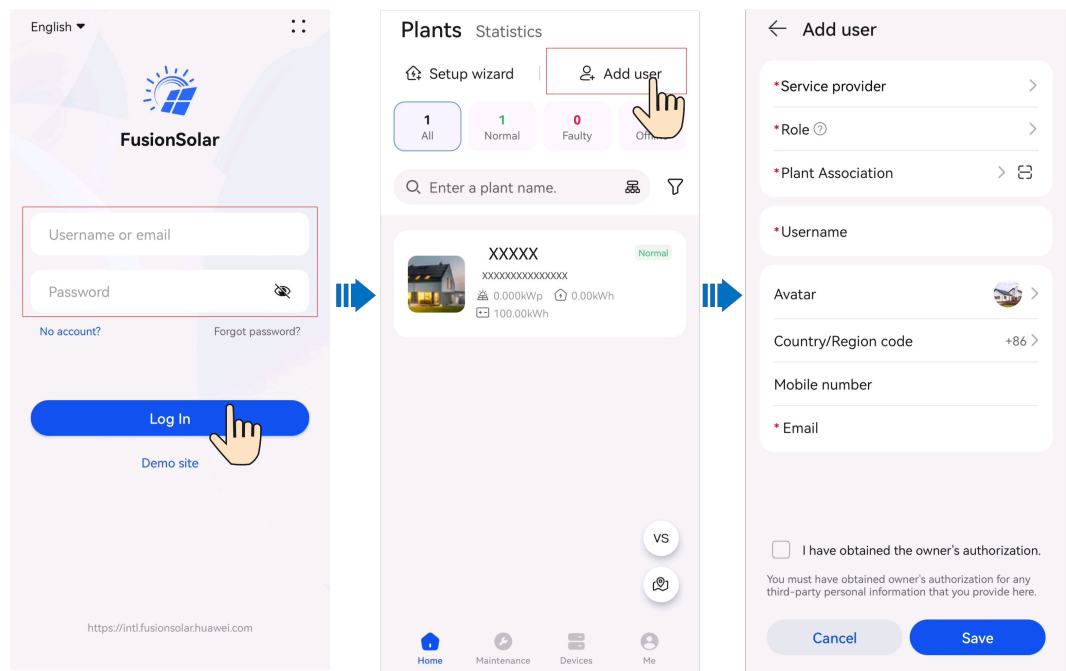
Figure 7-4 Creating the first installer account



**NOTICE**

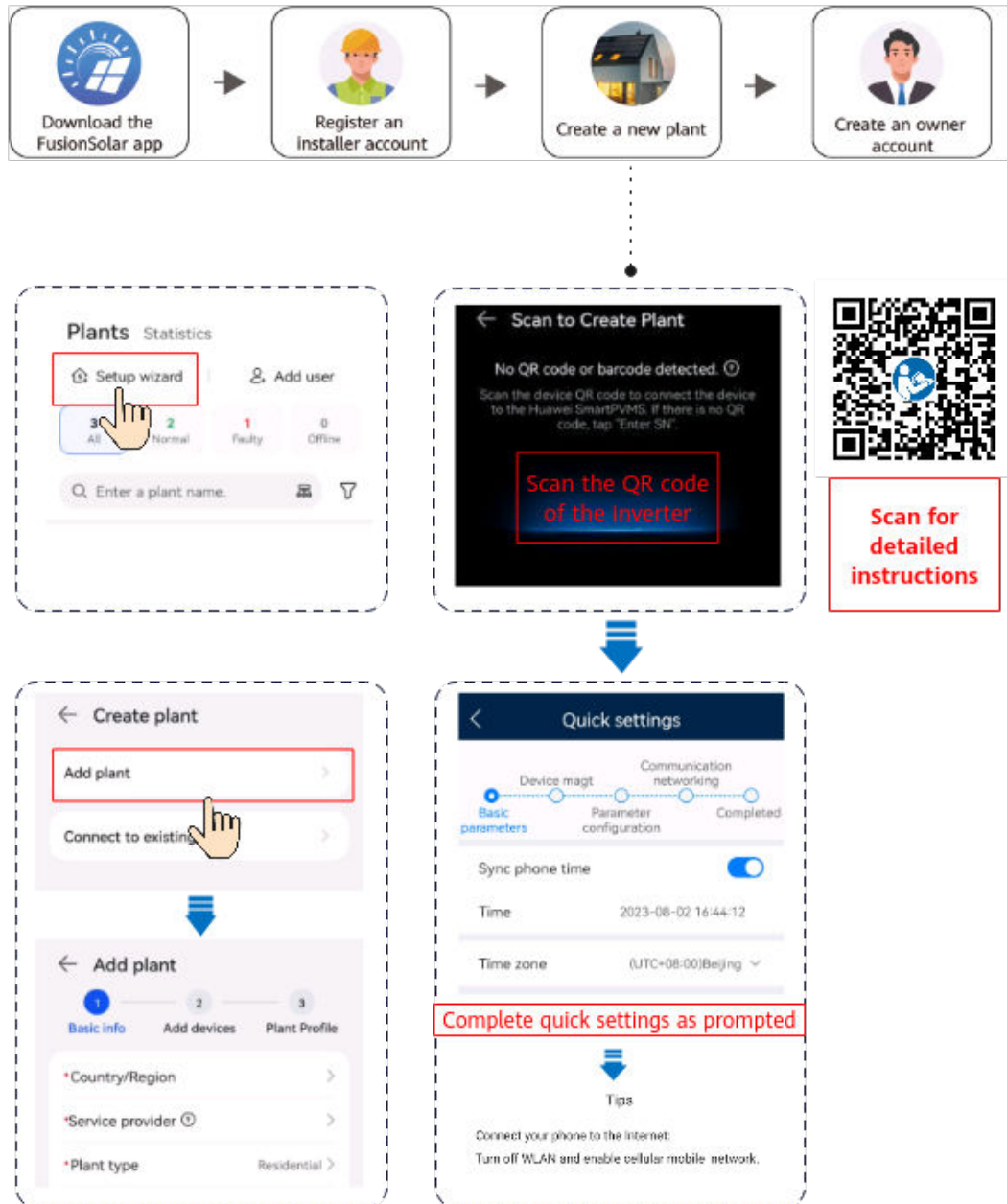
To create multiple installer accounts for a company, log in to the FusionSolar App and tap **Add User** to create an installer account.

Figure 7-5 Creating multiple installer accounts for the same company



## 7.2.3 Deploying a New Plant

### Smart Dongle Networking



#### NOTE

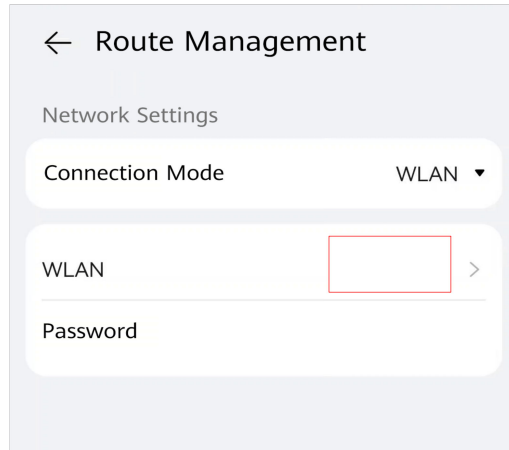
For details about new plant deployment, see the [FusionSolar App Quick Guide](#) or scan the QR code.

## EMMA Networking



 NOTE

For details about new plant deployment, see the [FusionSolar App Quick Guide \(EMMA\)](#).  
If the charger connects to the router through WiFi, you need to log in to the charger to set the WiFi information before deploying the EMMA.



## 7.3 Commissioning Functions and Features

### NOTICE

- The grid-connection voltage and frequency of inverters in China are set before delivery according to NB/T 32004 or the latest Chinese standard. If the inverter fails to connect to the power grid because the power grid voltage is close to or higher than the voltage required by Chinese laws and regulations, you can select other voltage level after obtaining permission from the local power operator.
- If the power grid voltage exceeds the upper threshold, the service life of loads on the grid side may be affected, or energy yield loss may occur. In this case, the Company will not be liable for any consequences.

Choose **Commission Device** and set related device parameters.

- For details about the commissioning portal when the Smart Dongle networking is used, see [B Connecting the Inverter on the App](#).
- For details about the commissioning portal when the EMMA networking is used, see [C Connecting the EMMA on the App](#).

### 7.3.1 Setting Common Parameters

Set common parameters based on the devices connected to the plant.

**Table 7-4** Setting common parameters

| Parameter                 | Scenario Description   | Operation  |
|---------------------------|--|--|
| Grid-tied point control   | Many regions impose a limit on the feed-in power of a power generation system. Therefore, a power meter is required to measure the power of the grid-tied point to control the output of the inverter in real time, ensuring that the feed-in power meets the power requirement allowed by the power grid. | <ul style="list-style-type: none"> <li>Smart Dongle networking: Choose <b>Commission Device</b>, tap <b>Power adjustment</b>, and set related parameters. For details about the parameter description and settings, see the section about <b>Parameter Settings</b> in the <a href="#">Residential Smart PV Solution Commissioning Manual (Smart Dongle networking &amp; direct inverter networking)</a>.</li> <li>EMMA networking: Choose <b>Commission Device</b>, tap <b>Power adjustment</b>, and set related parameters. For details about the parameter description and settings, see the section about <b>Parameter Settings</b> in the <a href="#">Residential Smart PV Solution User Manual (EMMA Networking &amp; SmartGuard Networking)</a>.</li> </ul> |
| Battery parameter setting | If a battery is connected to the system, you need to add the battery and set battery parameters.   |  |
| Capacity control          | This function applies to areas that have peak demand charges. The capacity control function allows you to lower the peak power drawn from grid in maximum self-consumption or TOU mode during peak hours, reducing electricity fees.   |  |

To set more parameters, tap **Settings**. For details about the parameter settings, see the [FusionSolar App User Manual](#). You can also scan the QR code to obtain the document.



### 7.3.2 (Optional) Setting the Physical Layout of the Smart PV Optimizers

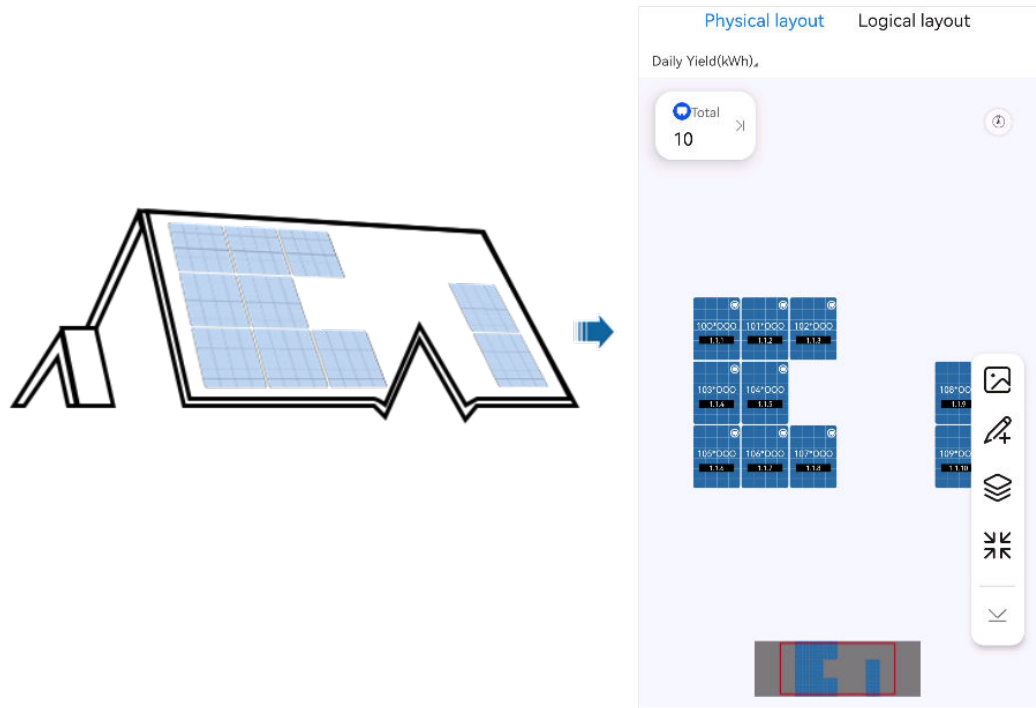
The Smart PV Optimizer is a DC to DC converter which implements maximum power point tracking (MPPT) of each PV module to improve the energy yield of the PV system. It enables module-level shutdown and monitoring.

If optimizers are configured for PV modules, you can view the physical location of each optimizer after creating a physical layout. If a PV module is faulty, you can quickly locate the faulty PV module based on the physical layout to rectify the fault. If a PV module without an optimizer is faulty, you need to check the PV

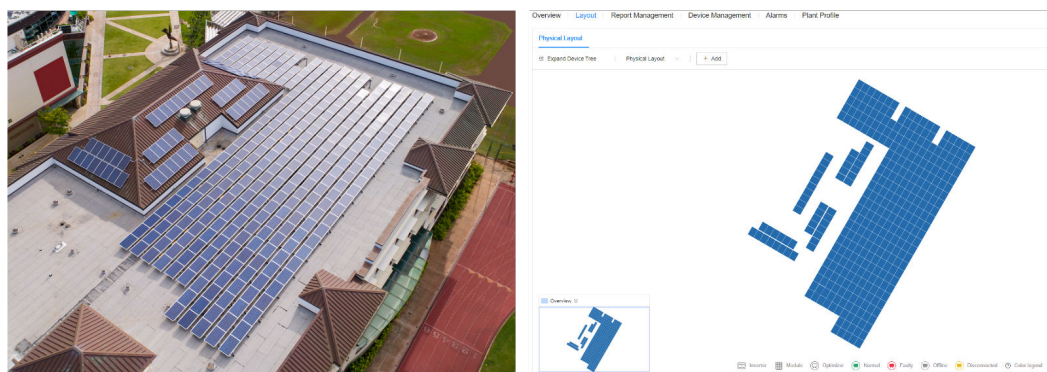
modules one by one to locate the faulty one, which is time-consuming and inefficient.

For details about the physical location layout of the optimizers, see [FusionSolar Physical Layout User Guide](#).

**Figure 7-6** Viewing a physical layout on the FusionSolar app



**Figure 7-7** Viewing a physical layout on the FusionSolar SmartPVMS



### 7.3.3 AFCI

#### Function

If PV modules or cables are not properly connected or damaged, electric arcs may occur, which may cause fire. Huawei inverters provide unique arc detection in compliance with UL 1699B-2018 to ensure the safety of users' lives and property.

This function is enabled by default. The inverter automatically detects arc faults. To disable this function, log in to the FusionSolar App, enter the **Device Commissioning** screen, choose **Settings > Feature parameters**, and disable **AFCI**.

 **NOTE**

The AFCI function works only with Huawei optimizers or ordinary PV modules, but does not support third-party optimizers or intelligent PV modules.

## Clearing Alarms

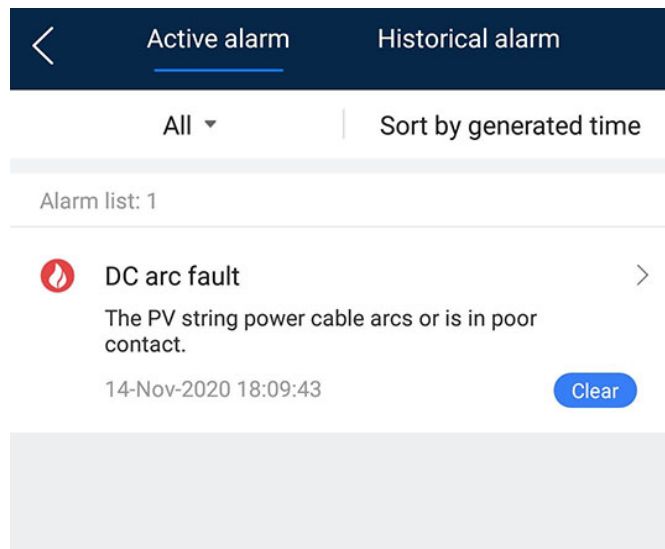
The AFCI function involves the **DC arc fault** alarm.

The inverter has the AFCI alarm automatic clearance mechanism. If an alarm is triggered for less than five times within 24 hours, the inverter automatically clears the alarm. If the alarm is triggered for five times or more within 24 hours, the inverter locks for protection. You need to manually clear the alarm on the inverter so that it can work properly.

You can manually clear the alarm as follows:

- **Method 1:** FusionSolar App  
Log in to the FusionSolar App and choose **Me > Device commissioning**. On the **Device commissioning** screen, connect and log in to the inverter that generates the AFCI alarm, tap **Alarm management**, and tap **Clear** on the right of the **DC arc fault** alarm to clear the alarm.

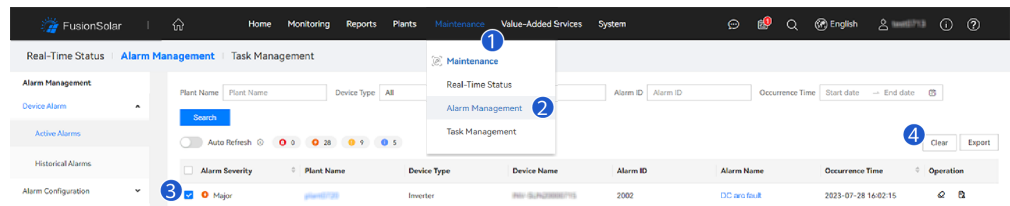
**Figure 7-8** Alarm management



- **Method 2:** FusionSolar Smart PV Management System  
Log in to the FusionSolar Smart PV Management System using a non-owner account, choose **Maintenance > Alarm Management**, select the **DC arc fault** alarm, and click **Clear** to clear the alarm.



**Figure 7-9** Clearing alarms



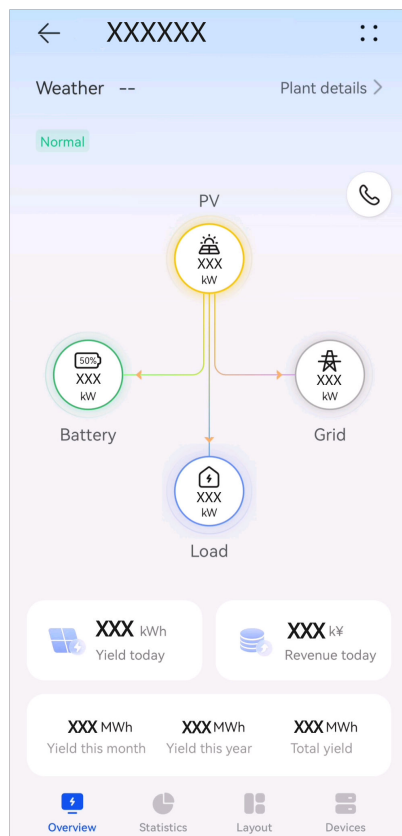
Switch to the owner account with PV plant management rights. On the home page, click the PV plant name to go to the PV plant page, and click **OK** as prompted to clear the alarm.

## 7.4 Viewing the Plant Creation Status

The FusionSolar app provides an overview of plants. You can view the plant running status, energy yield and consumption, revenue, and energy flow diagram in real time.

Log in to the app, tap **Home**, and tap **Plants**. This screen displays the real-time running status and basic information of all plants managed by the user by default.

**Figure 7-10** Viewing the plant creation status



# 8 System Maintenance

 **DANGER**

- Wear personal protective equipment and use dedicated insulated tools to avoid electric shocks or short circuits.

 **WARNING**

- Before performing maintenance, power off the equipment, follow the instructions on the delayed discharge label, and wait for a period of time as specified to ensure that the equipment is not energized.

## 8.1 Routine Maintenance

To ensure that the inverter can operate properly for a long term, you are advised to perform routine maintenance on it as described in this section.

 **CAUTION**

Power off the system before cleaning the system, connecting cables, and checking grounding reliability.

**Table 8-1** Maintenance checklist

| Check Item         | Check Method  | Maintenance Interval      |
|--------------------|---|---------------------------|
| System cleanliness | Check periodically whether the heat sinks are blocked or dirty. | Once every 6 to 12 months |

| Check Item                                | Check Method   | Maintenance Interval   |
|---|--|--|
| Cleanness of air intake and exhaust vents | Check periodically whether there is dust or foreign objects at the air intake and exhaust vents.   | Power off the inverter and remove dust and foreign objects. If necessary, remove the baffle plates from the air intake and exhaust vents for cleaning.<br><br>Once every 6 to 12 months (or once every 3 to 6 months based on the actual dust conditions in the environment) |
| Fan                                       | Check whether the fan generates abnormal noise during operation.   | Remove foreign objects from the fan.<br><br>If the abnormal noise persists, replace the fan. For details, see <a href="#">8.5 Replacing a Fan</a> .<br><br>Once every 6 to 12 months   |
| System running status                     | <ul style="list-style-type: none"> <li>• Check whether the inverter is damaged or deformed.</li> <li>• Check whether the inverter generates abnormal sound during operation.</li> <li>• Check whether all inverter parameters are correctly set during operation.</li> </ul> | Once every 6 months  |
| Electrical connection                     | <ul style="list-style-type: none"> <li>• Check whether cables are disconnected or loose.</li> <li>• Check whether cables are damaged, especially whether the cable sheath that contacts a metal surface is damaged.</li> </ul>   | 6 months after the first commissioning and once every 6 to 12 months after that  |
| Grounding reliability                     | Check whether the PE cable is securely connected.  | 6 months after the first commissioning and once every 6 to 12 months after that  |
| Sealing                                   | Check whether all terminals and ports are properly sealed.   | Once a year  |

## 8.2 System Power-Off

### Precautions

---

**WARNING**

- After the system is powered off, the inverter is still energized and hot, which may cause electric shocks or burns. Therefore, wait for 5 minutes after power-off and then put on insulated gloves to operate the inverter.
  - Power off the system before maintaining optimizers and PV strings. Otherwise, electric shocks may occur when the PV strings are energized.
- 

### Procedure

- Step 1** Send a shutdown command on the app.
- Step 2** Turn off the AC switch between the inverter and the power grid.
- Step 3** Set the **DC SWITCH** to **OFF**.
- Step 4** Turn off the DC switch between the inverter and PV strings.
- Step 5** (Optional) Turn off the battery switch between the inverter and the battery.
- End

## 8.3 Troubleshooting

For details about alarms, see the [Inverter Alarm Reference](#).

## 8.4 Replacing an Inverter

- Step 1** Remove the inverter.
1. Power off the system. For details, see [8.2 System Power-Off](#).
  2. Disconnect all cables from the inverter, including signal cables, DC input power cables, battery cables, AC output power cables, and PE cables.
  3. Remove the inverter from the mounting bracket.
  4. Remove the mounting bracket.
- Step 2** Pack the inverter.
- If the original packaging is available, put the inverter inside it and then seal it using adhesive tape.
  - If the original packaging is unavailable, put the inverter inside a suitable hard cardboard box and seal it properly.
- Step 3** Dispose of the inverter.

If the inverter reaches the end of its service life, dispose of it according to local regulations for the disposal of electrical equipment.

**Step 4** Install a new inverter.

----End

## 8.5 Replacing a Fan

### CAUTION

- Before replacing a fan, power off the inverter.
- When replacing a fan, use insulated tools and wear PPE.
- Currently, there are two types of fans. Select either one based on the site requirements.

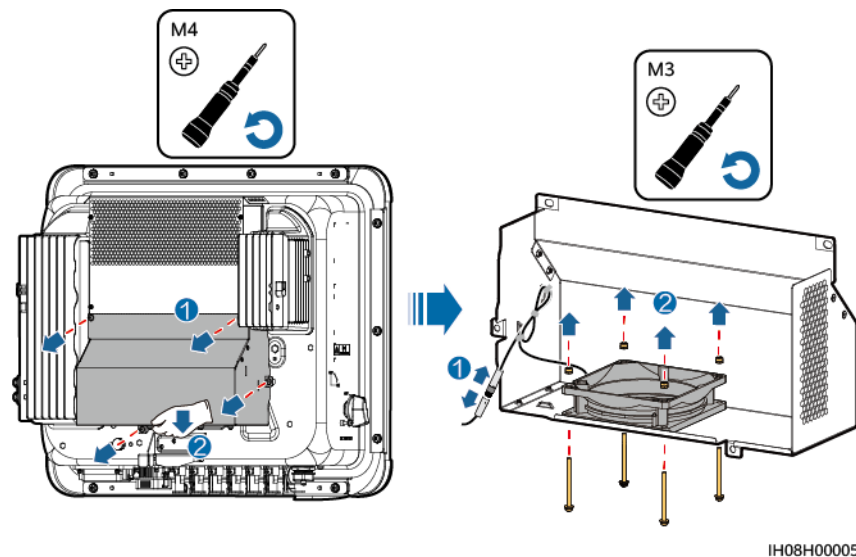
### Procedure

Type 1:

**Step 1** Remove the inverter from the mounting bracket.

**Step 2** Remove the fan cover, disconnect the fan cable, and remove the faulty fan.

**Figure 8-1** Removing the faulty fan



**Step 3** Install a new fan, connect and bind the cable, and install the fan cover.

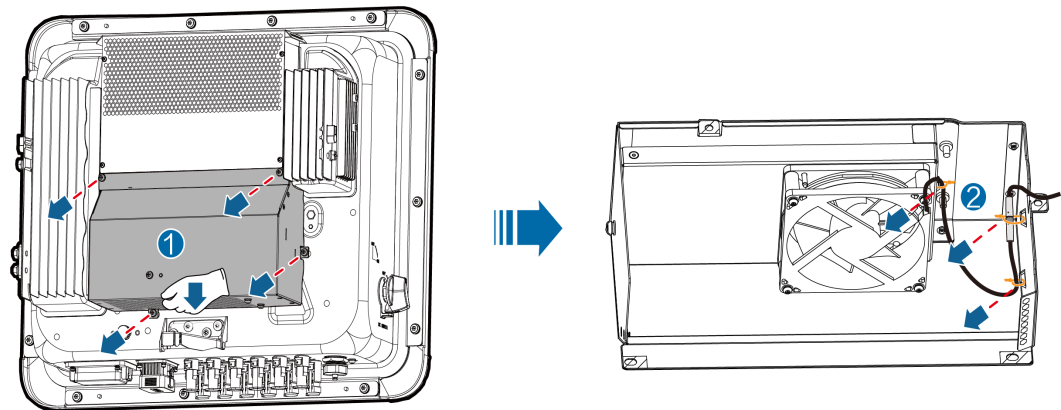
----End

Type 2:

**Step 1** Remove the inverter from the mounting bracket.

**Step 2** Remove the fan cover and fan cable ties.

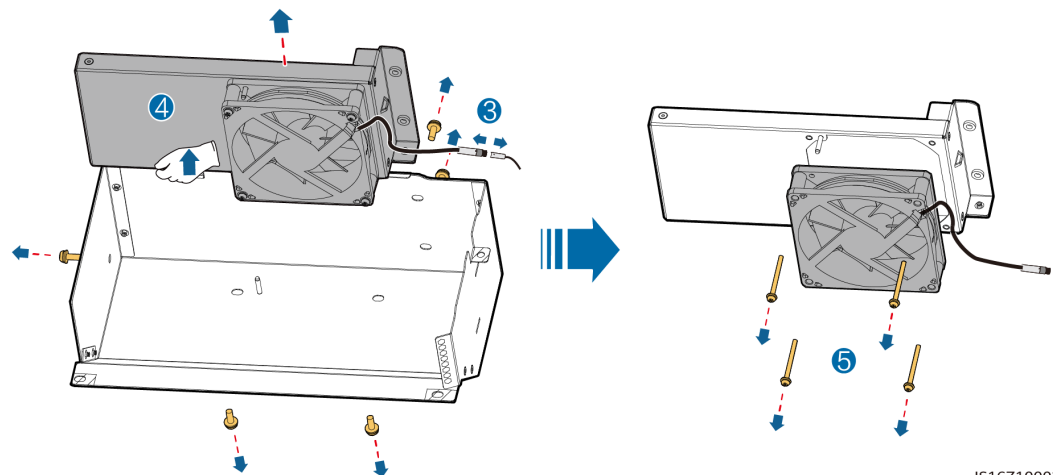
Figure 8-2



IS16Z10001

**Step 3** Disconnect the fan cable, take out the fan bracket, and remove the faulty fan.

Figure 8-3



IS16Z10002

**Step 4** Install a new fan, install the fan bracket, bind the cable, and install the fan cover.

----End

**⚠ CAUTION**

After the fan is installed, cut off the excess cable ties.

## 8.6 Locating Insulation Resistance Faults

If the ground resistance of a PV string connected to the inverter is too low, the inverter generates a **Low insulation resistance** alarm. The alarm ID is 2062.

The possible causes are as follows:

- A short circuit has occurred between the PV array and the ground.
- The ambient air of the PV array is damp and the insulation between the PV array and the ground is poor.

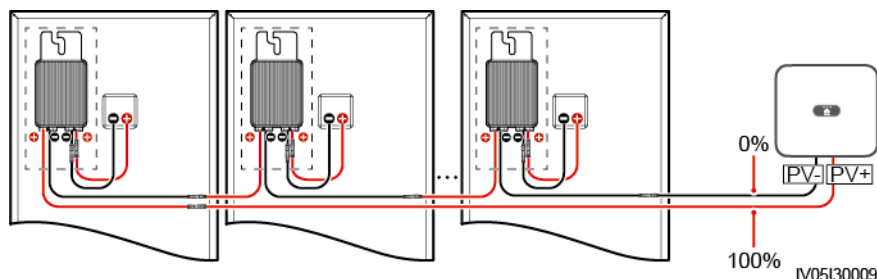
After the **Low insulation resistance** alarm is reported by the inverter, insulation resistance fault location is automatically triggered. If the fault location is successful, the location information is displayed on the **Alarm details** screen of the **Low insulation resistance** alarm on the FusionSolar app.

Log in to the FusionSolar app, choose **Alarm > Active alarm**, select **Low insulation resistance** to enter the **Alarm details** screen.

#### NOTE

- The positive and negative terminals of a PV string are respectively connected to the PV+ and PV- terminals of the inverter. The PV- terminal represents a possibility of 0% for the short-circuit position and the PV+ terminal represents a possibility of 100% for the short-circuit position. Other percentages indicate that the fault occurs on a PV module or cable in the PV string.
- Possible fault position = Total number of PV modules in a PV string x Percentage of possible short-circuit positions. For example, if a PV string consists of 14 PV modules and the percentage of the possible short-circuit position is 34%, the possible fault position is 4.76 (14 x 34%), indicating that the fault is located near PV module 4, including the previous and the next PV modules and the cables. The inverter has a detection precision of  $\pm 1$  PV module.
- The possible faulty PV string MPPT1 corresponds to PV1 and PV2, and the possible faulty PV string MPPT2 corresponds to PV3 and PV4. The fault can be located only to the MPPT level. Perform the following steps to connect the PV strings corresponding to the faulty MPPT to the inverter one by one to further locate and rectify the fault.
- When a non-short-circuit fault occurs, the possible short-circuit percentage is not displayed. If the insulation resistance is greater than  $0.001 \text{ M}\Omega$ , the fault is not related to short circuit. Check all PV modules in the faulty PV string one by one to locate and rectify the fault.

**Figure 8-4** Percentage of short-circuit positions



## Procedure

### NOTICE

If the irradiance or the PV string voltage is too high, the insulation resistance fault location may fail. In this case, the fault location status on the **Alarm details** screen is **Conditions not met**. Perform the following steps to connect PV strings to the inverter one by one to locate the fault. If the system is not configured with any optimizer, skip the corresponding optimizer operations.

- Step 1** Ensure that the AC connections are normal. Log in to the FusionSolar app, choose **Maintenance > Inverter ON/OFF** on the home screen, and send a shutdown command. Set **DC SWITCH** to **OFF**.

- Step 2** Connect one PV string to the inverter, and set **DC SWITCH** to **ON**. If the inverter status is **Shutdown: Command**, log in to the app, choose **Maintenance > Inverter ON/OFF** on the home screen, and send a startup command.
- Step 3** Choose **Alarm** on the home screen, enter the **Active alarm** screen, and check whether a **Low insulation resistance** alarm is reported.
- If no **Low insulation resistance** alarm is reported 1 minute after the DC side is powered on, choose **Maintenance > Inverter ON/OFF** on the home screen, and send a shutdown command. Set **DC SWITCH** to **OFF**. Go to **Step 2** and check rest of the PV strings one by one.
  - If a **Low insulation resistance** alarm is reported 1 minute after the DC side is powered on, check the percentage of possible short-circuit positions on the **Alarm details** screen and calculate the location of the possible faulty PV module based on the percentage. Then go to **Step 4**.
- Step 4** Log in to the app, choose **Maintenance > Inverter ON/OFF** on the home screen, and send a shutdown command. Set **DC SWITCH** to **OFF**. Check whether the connectors or DC power cables between the optimizer and PV module, between adjacent PV modules, or between adjacent optimizers on the possible fault position are damaged.
- If yes, replace the damaged connectors or DC power cables, and then set **DC SWITCH** to **ON**. If the inverter status is **Shutdown: Command**, choose **Maintenance > Inverter ON/OFF**, and send a startup command. View alarm information.
    - If no **Low insulation resistance** alarm is reported 1 minute after the DC side is powered on, troubleshoot the insulation resistance fault of the PV string. Log in to the app, choose **Maintenance > Inverter ON/OFF** on the home screen, and send a shutdown command. Set **DC SWITCH** to **OFF**. Go to **Step 2** and check rest of the PV strings one by one. Then, go to **Step 8**.
    - If the DC side is powered on 1 minute later, the **Low insulation resistance** alarm is still reported. Log in to the app, choose **Maintenance > Inverter ON/OFF** on the home screen, and send a shutdown command. Set **DC SWITCH** to **OFF** and go to **Step 5**.
  - If no, go to **Step 5**.
- Step 5** Disconnect the possible faulty PV module and the paired optimizer from the PV string, and use a DC extension cable with an MC4 connector to connect the PV module or optimizer adjacent to the possible faulty PV module. Set **DC SWITCH** to **ON**. If the inverter status is **Shutdown: Command**, choose **Maintenance > Inverter ON/OFF** on the home screen, and send a startup command. View alarm information.
- If no **Low insulation resistance** alarm is reported 1 minute after the DC side is powered on, the fault occurred on the disconnected PV module and optimizer. Choose **Maintenance > Inverter ON/OFF**, send a shutdown command, and set **DC SWITCH** to **OFF**. Go to **Step 7**.
  - If the **Low insulation resistance** alarm is reported 1 minute after the DC side is powered on, the fault did not occur on the disconnected PV module and optimizer. Go to **Step 6**.
- Step 6** Log in to the app, choose **Maintenance > Inverter ON/OFF** on the home screen, and send a shutdown command. Set **DC SWITCH** to **OFF**, reconnect the



disconnected PV module and optimizer, and repeat [Step 5](#) to check the PV modules and optimizers adjacent to the possible fault location.

**Step 7** Determine the position of the ground insulation fault:

- Disconnect the possible faulty PV module from the optimizer.
- Connect the possible faulty optimizer to the PV string.
- Set **DC SWITCH** to **ON**. If the inverter status is **Shutdown: Command**, choose **Maintenance > Inverter ON/OFF**, and send a startup command. View alarm information.
  - If no **Low insulation resistance** alarm is reported 1 minute after the DC side is powered on, the fault is on the possible faulty PV module.
  - If the **Low insulation resistance** alarm is reported 1 minute after the DC side is powered on, the fault is on the possible faulty optimizer.
- Log in to the app, choose **Maintenance > Inverter ON/OFF** on the home screen, and send a shutdown command. Set **DC SWITCH** to **OFF**, replace the faulty component, and complete troubleshooting the insulation resistance fault. Go to [Step 2](#) and check rest of the PV strings one by one. Then, go to [Step 8](#).

**Step 8** Set **DC SWITCH** to **ON**. If the inverter status is **Shutdown: Command**, choose **Maintenance > Inverter ON/OFF**, and send a startup command.

----End

# 9 Technical Specifications

## Efficiency

| Technical Specifications | SUN5000-17K-MB0 | SUN5000-25K-MB0 |
|--------------------------|-----------------|-----------------|
| Maximum efficiency       | 98.4%           | 98.4%           |
| European efficiency      | 98.1%           | 98.2%           |

## Input

| Technical Specifications                       | SUN5000-17K-MB0                      | SUN5000-25K-MB0 |
|--|--------------------------------------|-----------------|
| Recommended maximum input DC power             | 25500 W                              | 37500 W         |
| Maximum input voltage <sup>a</sup>             | 1100 V                               |                 |
| Maximum input current per MPPT circuit         | 20 A (one PV string)/30 A (one MPPT) |                 |
| Maximum short-circuit current per MPPT circuit | 40 A                                 |                 |
| Minimum startup voltage                        | 200 V                                |                 |
| MPPT voltage range                             | 200–1000 V                           |                 |
| Full-load MPPT voltage range                   | 440–800 V                            | 530–800 V       |
| Rated input voltage                            | 600 V                                |                 |
| Maximum number of inputs                       | 4                                    |                 |
| Number of MPPT circuits                        | 2                                    |                 |

| Technical Specifications   | SUN5000-17K-MB0 | SUN5000-25K-MB0 |
|--|-----------------|-----------------|
| Rated battery voltage  | 600 V DC        |                 |
| Battery voltage range  | 600–980 V DC    |                 |
| Maximum battery current  | 26.25 A         |                 |
| Battery type   | Li-ion          |                 |
| Note a: The maximum input voltage is the maximum DC input voltage that the inverter can withstand. If the input voltage exceeds this value, the inverter may be damaged. |                 |                 |

## Output (On Grid)

| Technical Specifications                      | SUN5000-17K-MB0  | SUN5000-25K-MB0                              |
|---|--|--|
| Rated output power                            | 17000 W  | 25000 W                                      |
| Maximum apparent power                        | 18700 VA   | 27500 VA                                     |
| Maximum active power (cos $\phi$ = 1)         | 18700 W  | 27500 W                                      |
| Rated output voltage                          | 220 V/380 V, 3W/N+PE<br>230 V/400 V, 3W/N+PE<br>240 V/415 V, 3W/N+PE |  |
| Maximum output voltage at long-term operation | Refer to the local power grid standards.                             |  |
| Rated output current                          | 25.8 A/380 V<br>24.5 A/400 V<br>23.7 A/415 V                         | 38.0 A/380 V<br>36.1 A/400 V<br>34.8 A/415 V |
| Maximum output current                        | 28.6 A/380 V<br>27.1 A/400 V<br>26.1 A/415 V                         | 42.0 A/380 V<br>39.9 A/400 V<br>38.5 A/415 V |
| Output voltage frequency                      | 50 Hz/60 Hz  |  |
| Power factor                                  | 0.8 leading ... 0.8 lagging  |  |
| Output DC component (DCI)                     | < 0.5% of the rated output   |  |

| Technical Specifications                    | SUN5000-17K-MB0   | SUN5000-25K-MB0 |
|---|---|-----------------|
| Maximum total harmonic distortion (AC THDi) | < 3% under rated conditions. Single harmonic meets the VDE 4105 requirements. |                 |

## Output (Off Grid)

| Technical Specifications | SUN5000-17K-MB0 | SUN5000-25K-MB0 |
|--------------------------|-----------------|-----------------|
| Rated apparent power     | 8300 VA         |                 |
| Maximum apparent power   | 9130 VA         |                 |

## Protection

| Technical Specifications                | SUN5000-17K-MB0  | SUN5000-25K-MB0 |
|---|--|-----------------|
| Overvoltage category                    | PV II/AC III   |                 |
| Input DC switch                         | Supported  |                 |
| Anti-islanding protection               | Supported  |                 |
| Output overcurrent protection           | Supported  |                 |
| Input reverse connection protection     | Supported  |                 |
| DC surge protection                     | TYPE II  |                 |
| AC surge protection                     | Yes, compatible with TYPE II protection class according to EN/IEC 61643-11 |                 |
| Insulation resistance detection         | Supported  |                 |
| Residual current monitoring unit (RCMU) | Supported  |                 |

## Display and Communication

| Technical Specifications | SUN5000-17K-MB0          | SUN5000-25K-MB0 |
|--------------------------|--------------------------|-----------------|
| Display                  | LED indicators; WLAN+app |                 |
| WLAN-FE Dongle           | Optional                 |                 |
| 4G Smart Dongle          | Optional                 |                 |

| Technical Specifications | SUN5000-17K-MB0 | SUN5000-25K-MB0 |
|--------------------------|-----------------|-----------------|
| RS485 communication      | Supported       |                 |
| Built-in WLAN            | Supported       |                 |
| DC MBUS                  | Supported       |                 |
| AFCI                     | Supported       |                 |
| PID recovery             | Supported       |                 |

## General Specifications

| Technical Specifications   | SUN5000-17K-MB0   | SUN5000-25K-MB0                     |
|----------------------------|---|-------------------------------------|
| Dimensions (H x W x D)     | 460 mm x 546 mm x 228 mm                                  |                                     |
| Net weight                 | 21 kg   |                                     |
| Noise                      | < 45 dB (typical working condition)                       | < 50 dB (typical working condition) |
| Operating temperature      | -25°C to +60°C  |                                     |
| Relative humidity          | 0-100% RH   |                                     |
| Cooling mode               | Smart air cooling   |                                     |
| Maximum operating altitude | 4000 m (derated when the altitude is greater than 2000 m) |                                     |
| Storage temperature        | -40°C to +70°C  |                                     |
| IP rating                  | IP66  |                                     |
| Topology                   | Transformerless   |                                     |

## Wireless Communication Parameters

| Technical Specifications | Inverter Built-in WiFi | WLAN-FE Smart Dongle             | 4G Smart Dongle  |
|--------------------------|------------------------|----------------------------------|--|
| Frequency                | 2400–2483.5 MHz        | SDongleA-05:<br>2400–2483.5 MHz  | SDongleB-06-EU (WiFi):<br>2400–2483.5 MHz<br>SDongleB-06-EU (4G): <ul style="list-style-type: none"> <li>• Supports LTE FDD: B1/B3/B5/B8.</li> <li>• Supports LTE TDD: B7/B20/B28/B38/B40/B41.</li> <li>• Supports GSM/GPRS/EDGE: 900 MHz/1800 MHz.</li> </ul>   |
| Protocols and standards  | WLAN 802.11b/g/n       | SDongleA-05:<br>WLAN 802.11b/g/n | SDongleB-06-EU (WiFi):<br>WLAN 802.11b/g/n<br>SDongleB-06-EU (4G): <ul style="list-style-type: none"> <li>• Supports LTE FDD (with receive diversity): B1/B3/B5/B8.</li> <li>• Supports LTE TDD (with receive diversity): B7/B20/B28/B38/B40/B41.</li> <li>• Supports GSM: 900 MHz/1800 MHz.</li> <li>• Supports digital audio.</li> </ul> |

| Technical Specifications | Inverter Built-in WiFi | WLAN-FE Smart Dongle | 4G Smart Dongle   |
|--------------------------|------------------------|----------------------|---|
| Bandwidth                | ≤ 20 MHz               | ≤ 20 MHz             | <p>LTE features:</p> <ul style="list-style-type: none"> <li>● Supports a maximum of 3GPP R8 non-CA Cat 4 FDD and TDD.</li> <li>● Supports 1.4 MHz/3 MHz/5 MHz/10 MHz/15 MHz/20 MHz RF bandwidth.</li> <li>● Supports MIMO in the downlink.</li> <li>● LTE FDD: maximum downlink rate of 150 Mbit/s and maximum uplink rate of 50 Mbit/s</li> <li>● LTE TDD: maximum downlink rate of 130 Mbit/s and maximum uplink rate of 30 Mbit/s</li> </ul> <p>UMTS features:</p> <ul style="list-style-type: none"> <li>● Supports 3GPP R7 HSDPA+, HSDPA, HSUPA, and WCDMA.</li> <li>● Supports QPSK and 16QAM modulation.</li> <li>● HSDPA+: maximum downlink rate of 21 Mbit/s</li> <li>● HSUPA: maximum uplink rate of 5.76 Mbit/s</li> <li>● WCDMA: maximum downlink rate of 384 kbit/s and maximum uplink rate of 384 kbit/s</li> </ul> <p>GSM features:</p> <p>GPRS:</p> <ul style="list-style-type: none"> <li>● Supports GPRS multislots class 12.</li> <li>● Coding schemes: CS-1, CS-2, CS-3, and CS-4</li> <li>● Maximum downlink rate: 85.6 kbit/s; maximum uplink rate: 85.6 kbit/s</li> </ul> <p>EDGE:</p> |

| Technical Specifications | Inverter Built-in WiFi | WLAN-FE Smart Dongle | 4G Smart Dongle   |
|--------------------------|------------------------|----------------------|---|
|                          |                        |                      | <ul style="list-style-type: none"> <li>• Supports EDGE multislot class 12.</li> <li>• Supports GMSK and 8-PSK modulation and coding schemes.</li> <li>• Downlink coding format: MCS 1-9</li> <li>• Uplink coding format: MCS 1-9</li> <li>• Maximum downlink rate: 236.8 kbit/s; maximum uplink rate: 236.8 kbit/s</li> </ul> SDongleB-06-EU (WiFi): 20 MHz/40 MHz (optional)   |
| Maximum transmit power   | ≤ 20 dBm EIRP          | ≤ 20 dBm EIRP        | <ul style="list-style-type: none"> <li>• Class 4 (33 dBm±2 dB), EGSM900 frequency band</li> <li>• Class 1 (30 dBm±2 dB), DCS1800 frequency band</li> <li>• Class E2 (27 dBm±3 dB), EGSM900 8-PSK</li> <li>• Class E2 (26 dBm±3 dB), DCS1800 8-PSK</li> <li>• Class 3 (24 dBm+1/-3 dB), WCDMA frequency band</li> <li>• Class 3 (23 dBm±2 dB), LTE FDD frequency band</li> <li>• Class 3 (23 dBm±2 dB), LTE TDD frequency band</li> </ul> SDongleB-06-EU (WiFi): ≤ 20 dBm EIRP |



# A Grid Codes

 **NOTE**

The grid codes are subject to change. The listed codes are for reference only.

**Table A-1** Grid codes

| No. | Grid Code         | Description                                   | SUN5000-17K-MB0 | SUN5000-25K-MB0 |
|-----|-------------------|---|-----------------|-----------------|
| 1   | VDE-AR-N-4105     | Germany low-voltage power grid                | Supported       | Supported       |
| 2   | UTE C 15-712-1(A) | France power grid                             | Supported       | Supported       |
| 3   | UTE C 15-712-1(B) | France power grid                             | Supported       | Supported       |
| 4   | UTE C 15-712-1(C) | France power grid                             | Supported       | Supported       |
| 5   | CEI0-21           | Italy power grid                              | Supported       | Supported       |
| 6   | RD1699/661        | Spain low-voltage power grid                  | Supported       | Supported       |
| 7   | C10/11            | Belgium power grid                            | Supported       | Supported       |
| 8   | IEC61727          | IEC 61727 low-voltage grid-connection (50 Hz) | Supported       | Supported       |
| 9   | Custom (50 Hz)    | Reserved                                      | Supported       | Supported       |
| 10  | Custom (60 Hz)    | Reserved                                      | Supported       | Supported       |
| 11  | CEI0-16           | Italy power grid                              | Supported       | Supported       |
| 12  | TAI-PEA           | Thailand grid-connection standard             | Supported       | Supported       |

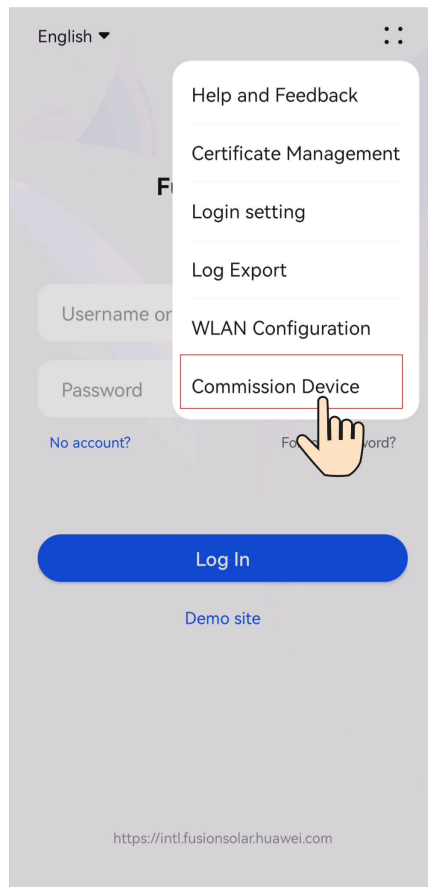
| No. | Grid Code           | Description  | SUN5000-17K-MB0 | SUN5000-25K-MB0 |
|-----|---------------------|--|-----------------|-----------------|
| 13  | TAI-MEA             | Thailand grid-connection standard                        | Supported       | Supported       |
| 14  | Philippines         | Philippines low-voltage power grid                       | Supported       | Supported       |
| 15  | NRS-097-2-1         | South Africa power grid standard                         | Supported       | Supported       |
| 16  | IEC61727-60Hz       | IEC 61727 low-voltage grid-connection (60 Hz)            | Supported       | Supported       |
| 17  | PO12.3              | Spain low-voltage power grid                             | Supported       | Supported       |
| 18  | EN50549-LV          | Ireland power grid                                       | Supported       | Supported       |
| 19  | Jordan-Transmission | Jordan low-voltage power grid                            | Supported       | Supported       |
| 20  | ABNT NBR 16149      | Brazil power grid  | Supported       | Supported       |
| 21  | DUBAI               | Dubai low-voltage power grid                             | Supported       | Supported       |
| 22  | Jordan-Distribution | Jordan power distribution network low-voltage power grid | Supported       | Supported       |
| 23  | TAIPOWER            | Taiwan Power low-voltage power grid                      | Supported       | Supported       |
| 24  | OMAN                | Oman low-voltage power grid                              | Supported       | Supported       |
| 25  | Pakistan            | Pakistan power grid                                      | Supported       | Supported       |
| 26  | Austria             | Austria power grid                                       | Supported       | Supported       |
| 27  | G99-TYPEA-LV        | UK G99-TYPEA-LV power grid                               | Supported       | Supported       |
| 28  | G99-TYPEB-LV        | UK G99-TYPEB-LV power grid                               | Supported       | Supported       |
| 29  | EN50549-MV400       | Ireland new standard                                     | Supported       | Supported       |
| 30  | VDE-AR-N4110        | Germany medium-voltage power grid (230 V)                | Supported       | Supported       |

| No. | Grid Code                     | Description                             | SUN5000-17K-MB0 | SUN5000-25K-MB0 |
|-----|-------------------------------|---|-----------------|-----------------|
| 31  | NTS                           | Spain power grid                        | Supported       | Supported       |
| 32  | SINGAPORE                     | Singapore low-voltage power grid        | Supported       | Supported       |
| 33  | HONGKONG                      | Hong Kong low-voltage power grid        | Supported       | Supported       |
| 34  | EN50549-SE                    | Sweden low-voltage power grid           | Supported       | Supported       |
| 35  | EN50549-PL                    | Poland power grid                       | Supported       | Supported       |
| 36  | DENMARK-EN50549-DK1-LV230     | Denmark power grid                      | Supported       | Supported       |
| 37  | DENMARK-EN50549-DK2-LV230     | Denmark power grid                      | Supported       | Supported       |
| 38  | SWITZERLAND-NA/EEA:2020-LV230 | Switzerland power grid                  | Supported       | Supported       |
| 39  | AUSTRALIA-AS4777_A-LV230      | Australia power grid                    | Supported       | Supported       |
| 40  | AUSTRALIA-AS4777_B-LV230      | Australia power grid                    | Supported       | Supported       |
| 41  | AUSTRALIA-AS4777_C-LV230      | Australia power grid                    | Supported       | Supported       |
| 42  | AUSTRALIA-AS4777_NZ-LV230     | Australia power grid                    | Supported       | Supported       |
| 43  | N/A                           | Default country code                    | Supported       | Supported       |
| 44  | CZECH-EN50549-LV230           | Czech Republic power grid               | Supported       | Supported       |
| 45  | Israel                        | Israel power grid                       | Supported       | Supported       |
| 46  | FINLAND-EN50549-LV230         | Finland power grid                      | Supported       | Supported       |
| 47  | NB/T 32004                    | China Golden Sun low-voltage power grid | Supported       | Supported       |
| 48  | CHINA-LV220/380               | China low-voltage power grid            | Supported       | Supported       |
| 49  | ANRE                          | Romania low-voltage power grid          | Supported       | Supported       |

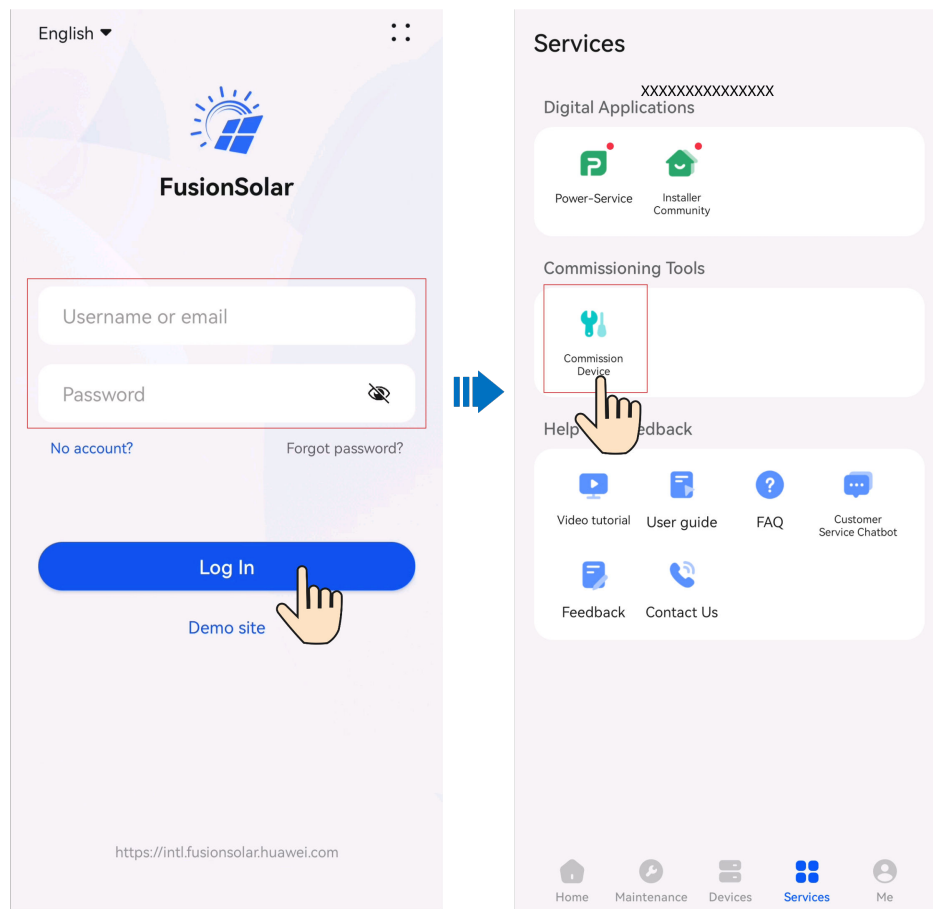
# B Connecting the Inverter on the App

**Step 1** Access the **Commission Device** screen.

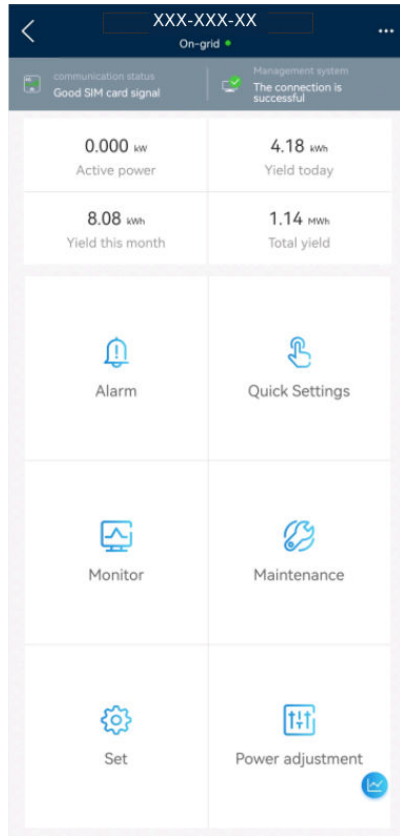
**Figure B-1** Method 1: before login (not connected to the Internet)



**Figure B-2** Method 2: after login (connected to the Internet)



**Step 2** Connect to the inverter WLAN, log in as **Installer**, and access the device commissioning screen.



## NOTICE

- When directly connecting your phone to a device, ensure that your phone is within the WLAN coverage of the device.
- When connecting the device to the router over WLAN, ensure that the device is within the WLAN coverage of the router and the signal is stable and good.
- The router supports WLAN (IEEE 802.11 b/g/n, 2.4 GHz) and the WLAN signal reaches the inverter.
- The WPA, WPA2, or WPA/WPA2 encryption mode is recommended for routers. The Enterprise mode is not supported (such as airport WLAN and other public hotspots that require authentication). WEP and WPA TKIP are not recommended because they have serious security vulnerabilities. If the access fails in WEP mode, log in to the router and change the encryption mode of the router to WPA2 or WPA/WPA2.

 **NOTE**

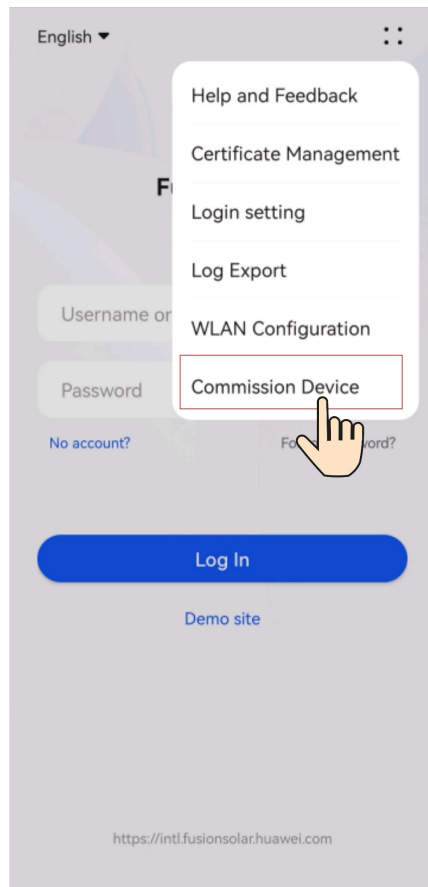
- The last six digits of the product WLAN name are the same as the last six digits of the product SN.
- For the first connection, log in with the initial password. You can obtain the initial password from the label on the device.
- To ensure account security, protect the password by changing it periodically, and keep it secure. Your password might be stolen or cracked if it is left unchanged for extended periods. If a password is lost, devices cannot be accessed. In these cases, the Company shall not be liable for any loss.
- If the login screen is not displayed after you scan the QR code, check whether your phone is correctly connected to the device WLAN. If not, manually select and connect to the WLAN.
- If the **This WLAN network has no Internet access. Connect anyway?** message is displayed when you connect to the built-in WLAN, tap **CONNECT**. Otherwise, you cannot log in to the system. The actual UI and messages may vary with mobile phones.

----End

# C Connecting the EMMA on the App

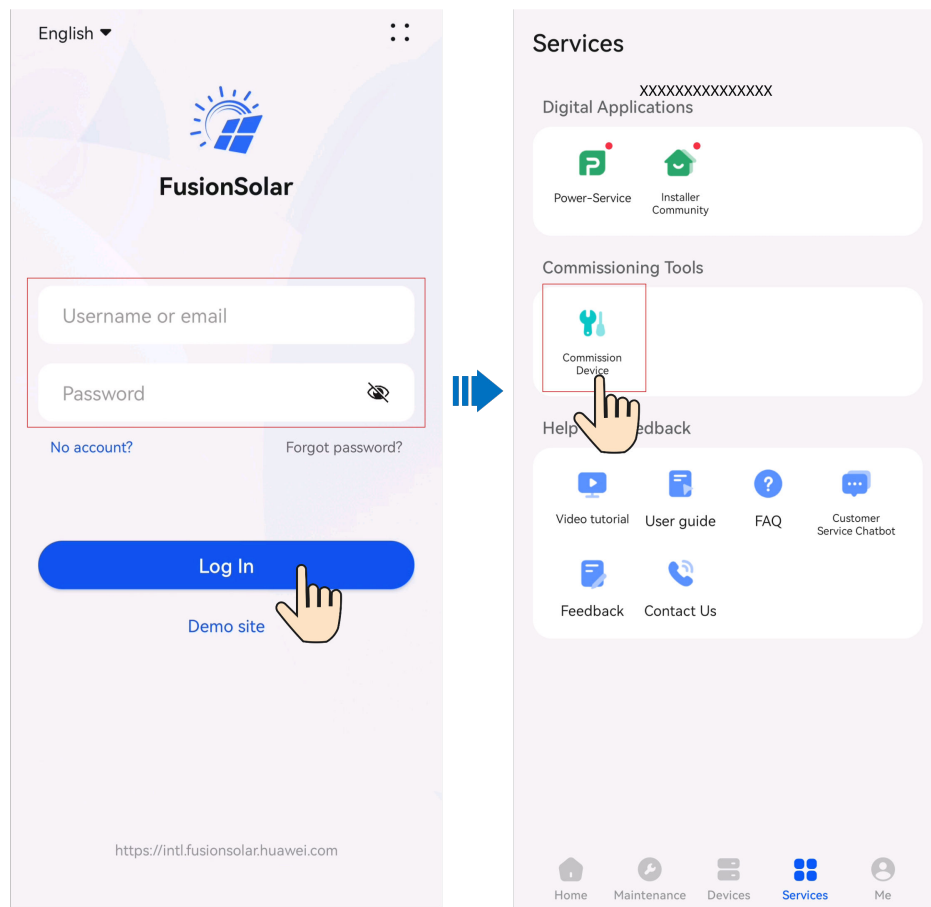
**Step 1** Access the **Commission Device** screen.

**Figure C-1** Method 1: before login (not connected to the Internet)

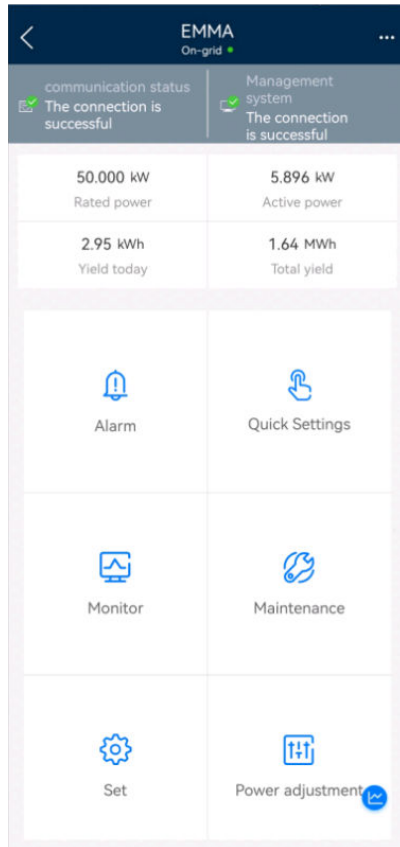




**Figure C-2** Method 2: after login (connected to the Internet)



**Step 2** Connect to the EMMA WLAN, log in as **Installer**, and access the device commissioning screen.



#### NOTICE

- When directly connecting your phone to a device, ensure that your phone is within the WLAN coverage of the device.
- When connecting the device to the router over WLAN, ensure that the device is within the WLAN coverage of the router and the signal is stable and good.
- The router supports WLAN (IEEE 802.11 b/g/n, 2.4 GHz) and the WLAN signal reaches the inverter.
- The WPA, WPA2, or WPA/WPA2 encryption mode is recommended for routers. The Enterprise mode is not supported (such as airport WLAN and other public hotspots that require authentication). WEP and WPA TKIP are not recommended because they have serious security vulnerabilities. If the access fails in WEP mode, log in to the router and change the encryption mode of the router to WPA2 or WPA/WPA2.





 **NOTE**

- The last six digits of the product WLAN name are the same as the last six digits of the product SN.
- For the first connection, log in with the initial password. You can obtain the initial password from the label on the device.
- To ensure account security, protect the password by changing it periodically, and keep it secure. Your password might be stolen or cracked if it is left unchanged for extended periods. If a password is lost, devices cannot be accessed. In these cases, the Company shall not be liable for any loss.
- If the login screen is not displayed after you scan the QR code, check whether your phone is correctly connected to the device WLAN. If not, manually select and connect to the WLAN.
- If the **This WLAN network has no Internet access. Connect anyway?** message is displayed when you connect to the built-in WLAN, tap **CONNECT**. Otherwise, you cannot log in to the system. The actual UI and messages may vary with mobile phones.

----End

# D Resetting a Password

---

- Step 1** Check that the AC and DC sides of the inverter are both powered on, and indicators  and  are steady green or blinking slowly for more than 3 minutes.
- Step 2** Turn off the AC switch, set the DC SWITCH at the bottom of the inverter to OFF, and wait until all indicators on the inverter panel turn off.
- Step 3** Complete the following operations within 4 minutes:
1. Turn on the AC switch and wait for about 90s or until the inverter indicator  blinks.
  2. Turn off the AC switch and wait about 30s or until all LED indicators on the inverter panel turn off.
  3. Turn on the AC switch and wait for about 30s or until all LED indicators on the inverter panel blink and then turn off after about 30s.
- Step 4** Wait until the three green LEDs on the inverter panel blink fast and then the three red LEDs blink fast, which indicates that the password is restored.
- Step 5** Reset the password within 10 minutes. (If no operation is performed within 10 minutes, all parameters of the inverter remain unchanged.)
1. Wait until the indicator  blinks.
  2. Connect to the app using the initial WLAN hotspot name (SSID) and initial password (PSW), which can be obtained from the label on the side of the inverter.
  3. On the login page, set a new password and log in to the app.
- Step 6** Set router and management system parameters to implement remote management.

----End

---

## NOTICE

You are advised to reset the password in the morning or at night when the solar irradiance is low.

---

# E Rapid Shutdown

---

## NOTE

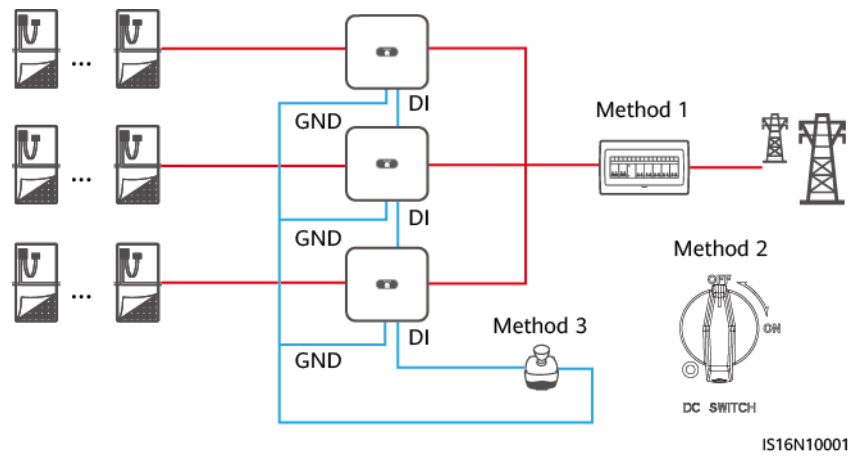
- If method 3 is selected for rapid shutdown, log in to the FusionSolar app as an **installer** user to perform local commissioning, choose **Settings > Feature parameters > Dry contact function**, and set **Dry contact function** to **DI rapid shutdown**.
- The rapid shutdown function is supported only if optimizers are configured for all PV modules.

If optimizers are configured for all PV modules, the PV system can perform a rapid shutdown to decrease the output voltage to below 30 V within 30s.

Perform the following steps to trigger a rapid shutdown:

- Method 1: Turn off the AC switch between the inverter and the power grid (disconnect the voltages of all PV strings connected to the inverter under the AC switch).
- Method 2: Set the **DC SWITCH** of the inverter to **OFF** to trigger a rapid shutdown. The inverter shuts down several minutes later. (Turning off all external switches on the DC side of an inverter can trigger a rapid shutdown, and only the PV strings connected to the inverter is de-energized. Turning off only some external switches cannot trigger a rapid shutdown, and the PV strings may be energized.)
- Method 3: To enable the DI rapid shutdown function, connect a switch to pins DI and GND of the inverter communications terminal. The switch is turned on by default. Turn off the switch to trigger a rapid shutdown. The distance between the switch and the farthest inverter must be less than or equal to 10 m.
- Method 4: If **AFCI** is enabled, the inverter automatically performs arc fault detection and triggers a rapid shutdown when AFCI lock protection is implemented.

**Figure E-1** Methods of triggering a rapid shutdown



# F Baud Rate Negotiation

Baud rate negotiation increases the communications rate between the inverter and devices such as batteries and power meters, and between the inverter and devices such as the Smart Dongles and the EMMA, solving or relieving communication congestion.

- During device search in a new plant, the system automatically negotiates the baud rate.
- When replacing or adding inverters, batteries, power meters, the Smart Dongle, or the EMMA at an existing plant, you need to manually send local commands on the FusionSolar app to reset the baud rate between devices and negotiate a higher rate.

 **NOTE**

Users can send the baud rate negotiation commands on the FusionSolar app in two networking modes: EMMA networking and Smart Dongle networking.

**Table F-1** Manual baud rate negotiation on the app

| Networking Mode | Scenario           | Operation   |
|-----------------|--------------------|---|
| EMMA networking | Replacing the EMMA | <ol style="list-style-type: none"><li>1. Use the FusionSolar app to locally scan the QR code to connect to the EMMA.</li><li>2. Access the <b>Communication settings</b> screen, choose <b>RS485 Settings &gt; Baud Rate Negotiation</b>, and tap <b>9600</b> and <b>Negotiate a higher rate</b>.</li></ol> |

| Networking Mode         | Scenario   | Operation  |
|-------------------------|--|--|
|                         | Replacing or adding an inverter  | <ol style="list-style-type: none"> <li>1. Use the FusionSolar app to locally scan the QR code to connect to the EMMA.</li> <li>2. Access the <b>Communication settings</b> screen, choose <b>RS485 Settings &gt; Baud Rate Negotiation</b>, and tap <b>9600</b> and <b>Negotiate a higher rate</b>.</li> <li>3. Use the FusionSolar app to locally scan the QR code to connect to the inverter.</li> <li>4. Access the <b>Communication configuration</b> screen, choose <b>RS485 &gt; Baud Rate Negotiation &gt; RS485_2 &gt; Baud Rate Negotiation</b>, and tap <b>9600</b> and <b>Negotiate a higher rate</b>.</li> </ol> |
|                         | Replacing or adding an RS485_2 device (such as a battery or power meter) | <ol style="list-style-type: none"> <li>1. Use the FusionSolar app to locally scan the QR code to connect to the inverter.</li> <li>2. Access the <b>Communication configuration</b> screen, choose <b>RS485 &gt; Baud Rate Negotiation &gt; RS485_2 &gt; Baud Rate Negotiation</b>, and tap <b>9600</b> and <b>Negotiate a higher rate</b>.</li> </ol>   |
| Smart Dongle networking | Replacing the Smart Dongle   | <ol style="list-style-type: none"> <li>1. Use the FusionSolar app to locally scan the QR code to connect to the inverter.</li> <li>2. Access the <b>Communication configuration</b> screen, choose <b>RS485 &gt; Baud Rate Negotiation &gt; RS485_1 &gt; Baud Rate Negotiation</b>, and tap <b>9600</b> and <b>Negotiate a higher rate</b>.</li> </ol>   |
|                         | Replacing or adding an inverter  | <ol style="list-style-type: none"> <li>1. Use the FusionSolar app to locally scan the QR code to connect to the inverter.</li> <li>2. Access the <b>Communication configuration</b> screen, choose <b>RS485 &gt; Baud Rate Negotiation &gt; RS485_1 &gt; Baud Rate Negotiation</b>, and tap <b>9600</b> and <b>Negotiate a higher rate</b>.</li> <li>3. Access the <b>Communication configuration</b> screen, choose <b>RS485 &gt; Baud Rate Negotiation &gt; RS485_2 &gt; Baud Rate Negotiation</b>, and tap <b>9600</b> and <b>Negotiate a higher rate</b>.</li> </ol>   |



| Networking Mode | Scenario   | Operation  |
|-----------------|--|--|
|                 | Replacing or adding an RS485_2 device (such as a battery or power meter) | <ol style="list-style-type: none"> <li>1. Use the FusionSolar app to locally scan the QR code to connect to the inverter.</li> <li>2. Access the <b>Communication configuration</b> screen, choose <b>RS485 &gt; Baud Rate Negotiation &gt; RS485_2 &gt; Baud Rate Negotiation</b>, and tap <b>9600</b> and <b>Negotiate a higher rate</b>.</li> </ol> |

## Troubleshooting

If manual baud rate negotiation fails, refer to the following troubleshooting measures.

**Table F-2** Troubleshooting measures

| Scenario           | Troubleshooting   |
|--------------------|---|
| Negotiation failed | <ol style="list-style-type: none"> <li>1. Check whether the device cables are connected properly. If no, connect the device cables correctly.</li> <li>2. Check whether service operations such as upgrade and log export are performed on the management system. If yes, perform baud rate negotiation again after such operations are complete.</li> <li>3. To replace an RS485_2 device (such as a battery or power meter), choose <b>Maintenance &gt; Subdevice management</b> on the home screen, touch and hold the replaced RS485_2 device to delete it.</li> <li>4. Perform baud rate negotiation again.</li> <li>5. When replacing or adding an inverter or an RS485_2 device (such as a battery or power meter), if you tap <b>Negotiate a higher rate</b> and a message "Negotiation failed. The southbound device does not support the rate." is displayed, it indicates that the device does not support baud rate negotiation. In this case, you only need to tap <b>9600</b>.</li> <li>6. If the fault persists, contact your vendor.</li> </ol> |

# G Contact Information

---

If you have any questions about this product, please contact us.



<https://digitalpower.huawei.com>

Path: **About Us > Contact Us > Service Hotlines**

To ensure faster and better services, we kindly request your assistance in providing the following information:

- Model
- Serial number (SN)
- Software version
- Alarm ID or name
- Brief description of the fault symptom

 **NOTE**

EU Representative Information: Huawei Technologies Hungary Kft.  
Add.: HU-1133 Budapest, Váci út 116-118., 1. Building, 6. floor.  
Email: hungary.reception@huawei.com

# H Digital Power Customer Service

---



<https://digitalpower.huawei.com/robotchat/>

# Certificate Management and Maintenance

## I.1 Preconfigured Certificate Risk Disclaimer

The Huawei-issued certificates preconfigured on Huawei devices during manufacturing are mandatory identity credentials for Huawei devices. The disclaimer statements for using the certificates are as follows:

1. Preconfigured Huawei-issued certificates are used only in the deployment phase, for establishing initial security channels between devices and the customer's network. Huawei does not promise or guarantee the security of preconfigured certificates.
2. The customer shall bear consequences of all security risks and security incidents involved in using preconfigured Huawei-issued certificates as service certificates.
3. A preconfigured Huawei-issued certificate is valid until October 11, 2041 starting from the manufacturing date.
4. Services using a preconfigured Huawei-issued certificate will be interrupted when the certificate expires.
5. It is recommended that customers deploy a PKI system to issue certificates for devices and software on the live network and manage the lifecycle of the certificates. To ensure security, certificates with short validity periods are recommended.

### NOTE

You can view the validity period of a preconfigured certificate on the network management system.

## I.2 Application Scenarios of Preconfigured Certificates

| File Path and Name       | Scenario  | Replacement  |
|--------------------------|---|--|
| f:/sun_ca.crt            | Authenticates the validity of the peer mobile app for communication through Modbus TCP. | For details about how to replace a certificate, contact technical support engineers to obtain the corresponding security maintenance manual.<br><br>Certificates for communication between the Company's products can be replaced. |
| f:/sun_tomcat_client.crt |   |  |
| f:/sun_tomcat_client.key |   |  |

---

# J Acronyms and Abbreviations

---

|             |                               |
|-------------|-------------------------------|
| <b>A</b>    |                               |
| <b>AFCI</b> | Arc-fault Circuit Interrupter |
| <b>L</b>    |                               |
| <b>LED</b>  | Light Emitting Diode          |
| <b>M</b>    |                               |
| <b>MPP</b>  | Maximum Power Point           |
| <b>MPPT</b> | Maximum Power Point Tracking  |
| <b>P</b>    |                               |
| <b>PE</b>   | Protective Earthing           |
| <b>PID</b>  | Potential Induced Degradation |
| <b>PV</b>   | Photovoltaic                  |
| <b>R</b>    |                               |
| <b>RH</b>   | Relative Humidity             |
| <b>S</b>    |                               |
| <b>SOC</b>  | State of Charge               |