

## PVN1M2I6S0F3V2O1TXPX10

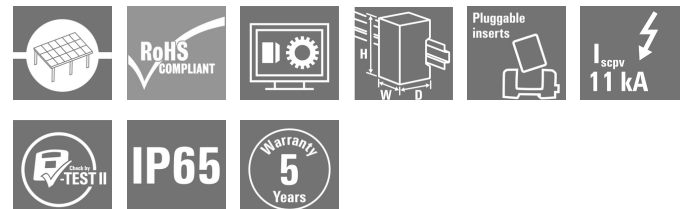
**Weidmüller Interface GmbH & Co. KG**

Klingenbergstraße 26

D-32758 Detmold

Germany

[www.weidmueller.com](http://www.weidmueller.com)



PV Next combiner boxes for inverters with 1 to 12 MPP trackers are used to protect the DC side of a photovoltaic system. The combiner boxes protect the inverter against overvoltages and thus comply with the European Directive EN 51543-32. In addition, these products offer the possibility to protect the system against reverse currents and the possibility to combine strings to save cables during installation.

### General ordering data

Version	Photovoltaics, Combiner Box, 1000 V, 2 MPP's, 3 Inputs / 3 Outputs per MPP, With fuse holder, Surge protection II, Switch disconnecter, WM4C
Order No.	<a href="#">2683300000</a>
Type	PVN1M2I6S0F3V2O1TXPX10
GTIN (EAN)	4050118699999
Qty.	1 pc(s).
Delivery status	<b>This article will no longer be available in the future.</b>
Available until	2024-12-31
Replacement parts	<a href="#">2530660000</a>
Alternative product	<a href="#">2683100000</a>

Creation date April 24, 2024 1:20:23 PM CEST

Catalogue status 20.04.2024 / We reserve the right to make technical changes.

## PVN1M2I6S0F3V201TXPX10

**Weidmüller Interface GmbH & Co. KG**

Klingenbergstraße 26

D-32758 Detmold

Germany

www.weidmueller.com

## Technical data

### Dimensions and weights

Depth	249 mm	Depth (inches)	9.803 inch
Depth with add-on components	250 mm	Height	334 mm
Height (inches)	13.15 inch	Width	558 mm
Width (inches)	21.968 inch	Net weight	6,981 g

### Temperatures

Ambient temperature	-40 °C...+45 °C	Humidity	5 - 90 %, no condensation
---------------------	-----------------	----------	---------------------------

### DC string monitoring

Monitoring function	Non monitored
---------------------	---------------

### Approvals and norms

Approvals	EN 61439-2, IEC 61439-2
-----------	-------------------------

### Guarantee

Time interval	5 years
---------------	---------

### Electrical characteristics

Current per Maximum Power Point, max. 45 A

Rated DC current per connection	Current per string, max.	35 A
Rated short-term current resistance	Rated current	56.25 A
Rated DC voltage	1,000 V	
Switching disconnecter capacity	DC-PV1, IEC 60947-3	

### Enclosure

Connection type string	Plug WM4C	Cover	with cover, removeable
Enclosure attachment	Via mounting feet	Impact resistance	IK08 in accordance with IEC 62208, IK10 in accordance with IEC 62262
Insulating material	Polyester glass-fibre reinforced, Polycarbonate	Switch disconnecter execution	switch in cover
Type of mounting	Wall mounting, 4 screws		

### General data

Installation location	Protected outdoor area (Land and Sea)	Protection degree	IP65
-----------------------	---------------------------------------	-------------------	------

### Inputs

Amount of maximum power points	2 MPP		
DC Input + & -	Wire connection	Type of connection	WM4C plug-in connector
		Compatible cable cross-section	EN 50618:2015, TÜV 2 Pfg1169/08.07
		Wire cross-section, min.	2.5 mm <sup>2</sup>
		Wire cross-section, max.	6 mm <sup>2</sup>

Creation date April 24, 2024 1:20:23 PM CEST

Catalogue status 20.04.2024 / We reserve the right to make technical changes.

**PVN1M2I6S0F3V201TXPX10**
**Weidmüller Interface GmbH & Co. KG**

Klingenbergstraße 26

D-32758 Detmold

Germany

www.weidmueller.com

**Technical data**

Functional earth connector	Cable entry	Number of cable entries	2	
		Cable diameter, min.	5	
		Cable diameter, max.	10	
		Cable glands	M 16	
	Wire connection	Type of connection	Screw connection	
		Flexible, max. H05(07) V-K	25 mm <sup>2</sup>	
	w. wire end ferrule, DIN 46228 pt 1, max.	16 mm <sup>2</sup>		
Fuse type	Empty fuse holder			
Fuse-link standard	IEC 60269-1, IEC 60269-6, gPV (EN 60269-6)			
Max. number of DC inputs	per Maximum Power Point 3 inputs connected in parallel			
Surge protection auxiliary contact	Wire connection	Type of connection	Tension clamp connection with actuator	
		Flexible, max. H05(07) V-K	1.5 mm <sup>2</sup>	
		w. wire end ferrule, DIN 46228 pt 1, max.	1.5 mm <sup>2</sup>	
	Cable entry	Number of cable entries	2	
		Cable diameter, min.	5	
		Cable diameter, max.	10	
	Cable glands	M 16		

**Outputs**

DC Output + & -	Wire connection	Type of connection	WM4C plug-in connector
		Compatible cable cross-section	TÜV 2 Pfg1169/08.07, EN 50618:2015
		Wire cross-section, min.	4 mm <sup>2</sup>
		Wire cross-section, max.	6 mm <sup>2</sup>
Max. number of DC outputs	per Maximum Power Point 3 outputs connected in parallel		

**Surge protection DC side**

Discharge current $I_n$ (8/20 $\mu$ s)	20 kA	Discharge current, max. (8/20 $\mu$ s)	40 kA
Maximum continuous operating voltage DC UCPV mode +/-, -/PE, +/PE	1,100 V	PV system voltage, max. $U_{cpv}$	1,100 V
Protection level $U_p$ (+/-)	$\leq 3.8$ kV	Protection level $U_p$ (+/PE)	$\leq 3.8$ kV
Protection level $U_p$ (-/PE)	$\leq 3.8$ kV	Requirements class	Type II
Short-circuit current $I_{SCP}$	11,000 A	Standby power consumption $P_C$	$< 0.2$ W
Total discharge current $I_{total}$ (8/20 $\mu$ s)	50 kA		

**Classifications**

ETIM 6.0	EC002928	ETIM 7.0	EC002928
ETIM 8.0	EC003857	ETIM 9.0	EC003857
ECLASS 9.0	22-57-92-03	ECLASS 9.1	22-57-02-90
ECLASS 10.0	22-57-02-90	ECLASS 11.0	22-57-02-92
ECLASS 12.0	22-57-02-92	ECLASS 13.0	22-57-02-92

**PVN1M2I6S0F3V201TXPX10**

**Weidmüller Interface GmbH & Co. KG**  
 Klingenbergstraße 26  
 D-32758 Detmold  
 Germany

www.weidmueller.com

**Technical data**

**Tender specification sheets**

Long specification

Combiner box for inverters with 2 MPP tracker, suitable for protecting the DC side of a photovoltaic system according to EN 51543-32.

MPP1:  
 3 inputs, connection via WM4 C connector, compatible with cable type TÜV 2 Pfg1 169/08.07 / EN 50618:2063  
 3 outputs, connection via WM4 C connector, compatible with cable type TÜV 2 Pfg1 169/08.07 / EN 50618:2063  
 MPP2:  
 identical to MPP1

Max. string voltage Uoc: 1000V  
 1 class/type II arrester with signal contact  
 Fuse holders for inputs and outputs (fuses 10x38 to be ordered separately)  
 With load break switch for safe separation of the string lines  
 Connection of the signal contact via cable glands (8-12mmØ) max. conductor cross-section: 1.5mm<sup>2</sup>  
 Connection of the functional earth via cable glands (8-12mmØ) Conductor cross-section: 16-25mm<sup>2</sup>  
 Protection class: IP65  
 All built into a glas fibre reinforced polyester housing. Dimensions HxWxD: 334x558x249 mm

Approval according to low voltage switchgear and controlgear IEC 61439-1:2011 and EN 61439-2:2011

**Environmental Product Compliance**

REACH SVHC	Lead 7439-92-1
SCIP	bdab5698-6a20-4370-8e28-8810d882d01a

## PVN1M2I6S0F3V201TXPX10

**Weidmüller Interface GmbH & Co. KG**

Klingenbergstraße 26

D-32758 Detmold

Germany

[www.weidmueller.com](http://www.weidmueller.com)

## Technical data

### Important note

Product information	<p>Fuses are not included The SCIP number was assigned due to a lead content of more than 0.1 % of the net weight.</p> <p>Safe use instruction according to ECHA: The identification of the hazardous substance is sufficient to allow safe use of the article throughout its life cycle, including the service life, disassembly and waste/recycling phase</p>
---------------------	---

### Approvals

Approvals



### Downloads

Approval/Certificate/Document of Conformity	<a href="#">EU Declaration of Conformity</a>
Engineering Data	<a href="#">CAD data – PV Next Schematic Diagram</a> <a href="#">CAD data – STEP</a>
Technical Documentation	<a href="#">customer drawing</a>
User Documentation	<a href="#">Manual PV Next String Combiner Box</a> <a href="#">MANUAL PV NEXT IT/ES/FR</a>
White paper	<a href="#">Fact Sheet DE PV CB Wie man Gebäude gegen Blitzeinschläge schützt</a> <a href="#">Fact Sheet DE PV Wie man die Lebensdauer eines GAK verlängert</a> <a href="#">Fact Sheet DE PV CB Wann Sicherungen zu installieren sind</a> <a href="#">Fact Sheet DE CB PV NEXT</a> <a href="#">Fact Sheet EN PV CB When DC fuses are mandatory to install</a> <a href="#">Fact Sheet EN CB PV NEXT</a> <a href="#">Fact Sheet EN PV How to protect buildings against lightning strikes</a> <a href="#">Fact Sheet EN PV How to extend the life time of a Combiner Box</a> <a href="#">Fact Sheet DE PV CB Lastentrennschalter</a> <a href="#">Fact Sheet DE CB PV Strings kombinieren</a> <a href="#">Fact Sheet DE PV CB Richtig verbinden</a> <a href="#">Fact-Sheet EN PV CB Load break switch</a> <a href="#">Fact Sheet EN CB Combining PV strings</a> <a href="#">Fact Sheet EN PV CB connection</a> <a href="#">Fact Sheet EN PV Combiner Box earthing</a> <a href="#">Fact Sheet DE PV Combiner Box Erdung</a>
Catalogues	<a href="#">Catalogues in PDF-format</a>

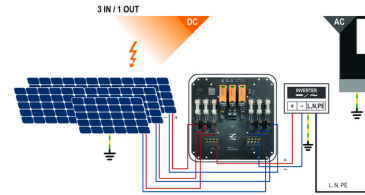
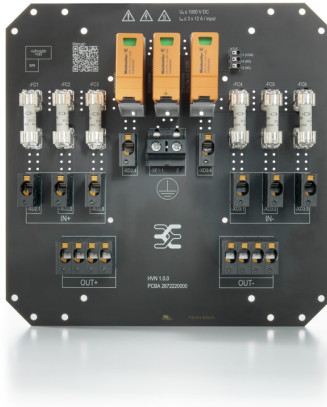
**PVN1M2I6S0F3V2O1TXPX10**

**Weidmüller Interface GmbH & Co. KG**  
 Klingenbergstraße 26  
 D-32758 Detmold  
 Germany

www.weidmueller.com

Drawings

PCB design



<b>PVN 1 M2 I6 S0 F3 V1 O1 TX PX 10</b>	
<p><b>Series</b>                  PVN - PV Next                  VPU - PV Protect</p> <p><b>Level</b>                  1 = DC trunk box (L1)</p> <p><b>Series</b>                  1 = 1 MPPT supported                  2 = 2 MPPT supported                  3 = 3 MPPT supported                  4 = 4 MPPT supported                  6 = 6 MPPT supported</p> <p><b>Inputs</b>                  1..12 inputs</p> <p><b>Switch</b>                  x = n/a                  0 = manual switch                  1 = remote switch</p>	<p><b>Voltage</b>                  10 = 1kV                  11 = 1.1kV                  15 = 1.5kV</p> <p><b>Power supply</b>                  x = n/a</p> <p><b>Monitoring</b>                  x = n/a</p> <p><b>Output Type</b>                  0 = EG                  1 = VMAC                  2 = MCA-Exp 2</p> <p><b>SPD</b>                  0 = TYP II                  1 = TYP I+II                  X = No SPD</p> <p><b>Fuses</b>                  x = n/a                  3 = only fuse holders</p>

**PVN1M2I6S0F3V201TXPX10**

**Weidmüller Interface GmbH & Co. KG**  
Klingenbergstraße 26  
D-32758 Detmold  
Germany

[www.weidmueller.com](http://www.weidmueller.com)

**Replacement parts****Spare Arrester****General ordering data**

Type	VPU PV II 0 1000	Version
Order No.	<a href="#">2530660000</a>	Surge voltage arrester, Low voltage, Accessories, Spare arrester
GTIN (EAN)	4050118540871	
Qty.	9 pc(s).	

## PVN1M2I6S0F3V201TXPX10

**Weidmüller Interface GmbH & Co. KG**  
Klingenbergstraße 26  
D-32758 Detmold  
Germany

www.weidmueller.com

## Accessories

### Y-Connector Cables



The Y or X cable is used to connect three or four elements of a PV system, such as the connection between PV panels, inverters and surge protection boxes. The cables are available in different connection variants.

### General ordering data

Type	PVHYW-XXW+XX06W+15	Version
Order No.	<a href="#">2814180000</a>	Photovoltaics, Y-Connector Cable, 1x WM4 C Male, 2x WM4 C
GTIN (EAN)	4064675298861	Female, 6mm <sup>2</sup> , 1500 V
Qty.	1 pc(s).	
Type	PVHYW+XXW-XX06W-15	Version
Order No.	<a href="#">2814190000</a>	Photovoltaics, Y-Connector Cable, 1x WM4 C Female, 2x WM4 C
GTIN (EAN)	4064675298878	Male, 6mm <sup>2</sup> , 1500 V
Qty.	1 pc(s).	

### External fixing lugs



The enclosures of the TBF series are made of extremely tough glass fibre-reinforced polyester. These enclosures are ideal for applications that call for low weight coupled with high shock resistance. The weather-resistant TBF enclosures are designed for a wide range of applications. Together with their comprehensive range of accessories, they provide universal solutions for accommodating built-in items such as regulators, measuring instruments, valves and other equipment.

Features:

- 9 sizes in 2 versions, with grey and transparent lids
- Cover with nylon screws
- Fixing holes outside the sealed area
- Thread for fitting to terminal rails and mounting plates
- Comprehensive accessories
- Weidmüller can manufacture and supply this enclosure to match customer specifications, fitted with all necessary terminals and cable glands.

### General ordering data

Type	MF TBF	Version
Order No.	<a href="#">0360800000</a>	TBF (polyester empty enclosure), Mounting foot, Fixing lugs, Height:
GTIN (EAN)	4008190108595	72.5 mm, Width: 24 mm, Depth: 12 mm, Material: Polyamide, Deep
Qty.	1 pc(s).	black



## PVN1M2I6S0F3V201TXPX10

**Weidmüller Interface GmbH & Co. KG**  
 Klingenbergstraße 26  
 D-32758 Detmold  
 Germany

[www.weidmueller.com](http://www.weidmueller.com)

## Accessories

## Cutting tools

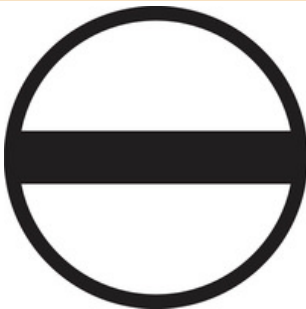


Cutting tools for conductors up to 8 mm, 12 mm, 14 mm and 22 mm outside diameter. The special blade geometry allows pinch-free cutting of copper and aluminium conductors with minimum physical effort. The cutting tools (KT 8 to KT 22) also come with VDE and GS-tested protective insulation up to 1,000 V in accordance with EN/IEC 60900.

## General ordering data

Type	KT 14	Version
Order No.	<a href="#">1157820000</a>	Cutting tools, Cutting tool for one-hand operation
GTIN (EAN)	4032248945344	
Qty.	1 pc(s).	

## Slotted screwdriver



VDE insulated slot-head screwdriver, SDI DIN 7437, ISO 2380/2, drive output acc. to DIN 5264, ISO 2380/1. SoftFinish grip

## General ordering data

Type	SDIS 1.0X5.5X125	Version
Order No.	<a href="#">2749850000</a>	Screwdriver, Blade width (B): 5.5 mm, Blade length: 125 mm, Blade thickness (A): 1 mm
GTIN (EAN)	4050118897050	
Qty.	1 pc(s).	
Type	SDIS 0.6X3.5X100	Version
Order No.	<a href="#">2749810000</a>	Screwdriver, Blade width (B): 3.5 mm, Blade length: 100 mm, Blade thickness (A): 0.6 mm
GTIN (EAN)	4050118897012	
Qty.	1 pc(s).	

## PVN1M2I6S0F3V201TXPX10

**Weidmüller Interface GmbH & Co. KG**  
 Klingenbergstraße 26  
 D-32758 Detmold  
 Germany

[www.weidmueller.com](http://www.weidmueller.com)

## Accessories

### Accessories



The dust protection cap "Dustcap VSSO" protects the Weidmüller and type 4 solar connectors against dust and dirt.

The "SafetyClip" protects the Weidmüller solar connectors against unintentional opening and can only be released using the special multi-tool.

### General ordering data

Type	VSSO WM4 C	Version
Order No.	<a href="#">1254870000</a>	Photovoltaics, Flat design
GTIN (EAN)	4050118047479	
Qty.	100 pc(s).	

### UV-resistant cable ties



UV-resistant polyamide 6.6 ensures long durability of our special cable ties even with strong UV radiation. Ideal for continuous outdoor use.

### General ordering data

Type	CB-UVR 290/4,5 BK	Version
Order No.	<a href="#">2659350000</a>	Cable ties, 4.5 x 290 mm, Polyamide 66, 220 N
GTIN (EAN)	4050118682816	
Qty.	100 pc(s).	

## PVN1M2I6S0F3V201TXPX10

**Weidmüller Interface GmbH & Co. KG**  
 Klingenbergstraße 26  
 D-32758 Detmold  
 Germany

www.weidmueller.com

## Accessories

### PV Sun Covers



#### General ordering data

Type	PV SUN COVER 56/30/21	Version
Order No.	<a href="#">8000087025</a>	Photovoltaics
GTIN (EAN)	4064675845188	
Qty.	1 pc(s).	

### 10x38 gPV



The gPV cylindrical fuse cartridges are designed to provide compact, safe and economical protection of photovoltaic modules (field protection) with voltages up to 1,500 DC. They provide protection against both overload and short circuit (gPV class according to the requirements of IEC60269-6 and UL248-19 standards). Made of a ceramic tube with high internal pressure and thermal shock resistance, allowing high switching capacity in a small space. The contacts are made of silver-plated copper and the fusible elements of pure silver to avoid ageing and thus keep the electrical characteristics invariable. They are available in the sizes 10x38 mm, 10x85 mm and 22x58 mm.

#### General ordering data

Type	FUSE 10X38 10A 1000 VDC ...	Version
Order No.	<a href="#">2783230000</a>	Photovoltaics, Cartridge fuse, 1000 V, 10x38, gPV, 10 A
GTIN (EAN)	4064675059950	
Qty.	10 pc(s).	
Type	FUSE 10X38 4A 1000 VDC ...	Version
Order No.	<a href="#">2783190000</a>	Photovoltaics, Cartridge fuse, 1000 V, 10x38, gPV, 4 A
GTIN (EAN)	4064675059912	
Qty.	10 pc(s).	
Type	FUSE 10X38 6A 1000 VDC ...	Version
Order No.	<a href="#">2783210000</a>	Photovoltaics, Cartridge fuse, 1000 V, 10x38, gPV, 6 A
GTIN (EAN)	4064675059936	
Qty.	10 pc(s).	
Type	FUSE 10X38 8A 1000 VDC ...	Version
Order No.	<a href="#">2783220000</a>	Photovoltaics, Cartridge fuse, 1000 V, 10x38, gPV, 8 A
GTIN (EAN)	4064675059943	
Qty.	10 pc(s).	

Creation date April 24, 2024 1:20:23 PM CEST

## PVN1M2I6S0F3V201TXPX10

**Weidmüller Interface GmbH & Co. KG**

Klingenbergstraße 26

D-32758 Detmold

Germany

[www.weidmueller.com](http://www.weidmueller.com)

## Accessories

Type	FUSE 10X38 16A 1000 VDC ...	Version
Order No.	<a href="#">2783260000</a>	Photovoltaics, Cartridge fuse, 1000 V, 10x38, gPV, 16 A
GTIN (EAN)	4064675059981	
Qty.	10 pc(s).	
Type	FUSE 10X38 5A 1000 VDC ...	Version
Order No.	<a href="#">2783200000</a>	Photovoltaics, Cartridge fuse, 1000 V, 10x38, gPV, 5 A
GTIN (EAN)	4064675059929	
Qty.	10 pc(s).	
Type	FUSE 10X38 15A 1000 VDC ...	Version
Order No.	<a href="#">2783250000</a>	Photovoltaics, Cartridge fuse, 1000 V, 10x38, gPV, 15 A
GTIN (EAN)	4064675059974	
Qty.	10 pc(s).	
Type	FUSE 10X38 1A 1000 VDC ...	Version
Order No.	<a href="#">2783160000</a>	Photovoltaics, Cartridge fuse, 1000 V, 10x38, gPV, 1 A
GTIN (EAN)	4064675059684	
Qty.	10 pc(s).	
Type	FUSE 10X38 20A 1000 VDC ...	Version
Order No.	<a href="#">2783280000</a>	Photovoltaics, Cartridge fuse, 1000 V, 10x38, gPV, 20 A
GTIN (EAN)	4064675060000	
Qty.	10 pc(s).	
Type	FUSE 10X38 2A 1000 VDC ...	Version
Order No.	<a href="#">2783170000</a>	Photovoltaics, Cartridge fuse, 1000 V, 10x38, gPV, 2 A
GTIN (EAN)	4064675059691	
Qty.	10 pc(s).	
Type	FUSE 10X38 3A 1000 VDC ...	Version
Order No.	<a href="#">2783180000</a>	Photovoltaics, Cartridge fuse, 1000 V, 10x38, gPV, 3 A
GTIN (EAN)	4064675059905	
Qty.	10 pc(s).	
Type	FUSE 10X38 12A 1000 VDC ...	Version
Order No.	<a href="#">2783240000</a>	Photovoltaics, Cartridge fuse, 1000 V, 10x38, gPV, 12 A
GTIN (EAN)	4064675059967	
Qty.	10 pc(s).	

## PVN1M2I6S0F3V201TXPX10

**Weidmüller Interface GmbH & Co. KG**  
 Klingenbergstraße 26  
 D-32758 Detmold  
 Germany

[www.weidmueller.com](http://www.weidmueller.com)

## Accessories

## Tools



- For flexible and solid conductors with special insulating materials
- High-quality stripping for industrial applications (complies with aircraft industry requirements)
- Specially shaped blades enable stripping of special types of insulation and conductor configurations
- Stripping length adjustable via end stop
- Very versatile thanks to interchangeable stripping units
- Stripping results reproduced accurately over and over again
- No damage to the conductor
- A long-lasting, reliable tool thanks to its sturdy design
- Integrated cutting function

## General ordering data

Type	MULTI-STRIPAX PV	Version	
Order No.	<a href="#">1190490000</a>	Photovoltaics, Plug-in connector	
GTIN (EAN)	4032248973262		
Qty.	1 pc(s).		

## Crosshead screwdriver Phillips



VDE insulated crosshead screwdriver, for Phillips screws, SDIK PH DIN 7438, ISO 8764/2-PH, output to ISO 8764-PH, SoftFinish grip

## General ordering data

Type	SDIK PH3 X 150	Version	
Order No.	<a href="#">2749910000</a>	Screwdriver, Blade width (B): 3 mm, 150 mm, Blade thickness (A): 3	
GTIN (EAN)	4050118897210		
Qty.	1 pc(s).		

## PVN1M2I6S0F3V201TXPX10

**Weidmüller Interface GmbH & Co. KG**

Klingenbergstraße 26

D-32758 Detmold

Germany

[www.weidmueller.com](http://www.weidmueller.com)

## Accessories

### PV-Stick field connectors



Faster is better. This also applies to the cabling of solar systems. Our handy connectors stay firmly in your grip even in frosty temperatures and can be installed very quickly and easily without a crimping tool.

You don't need crimp contacts and crimping tools and you avoid assembly errors. This saves up to 50% installation time – without affecting quality. The new photovoltaic connectors are TÜV-approved and comply with IEC 62852.

Our "PUSH IN" technology enables safe connections with minimal effort – insert, turn: current!

- 1,500 V DC (DE) / 1,500 V DC (EN)
- PUSH IN technology
- Standard-compliant quality in accordance with IEC 62852
- Ergonomic, prize-winning design
- Fastest PV connector currently available
- Reliable latching

### General ordering data

Type	PV-STICK+ VPE10	Version	
Order No.	<a href="#">1303450000</a>		Photovoltaics, Plug-in connector, PUSH IN connection, female
GTIN (EAN)	4050118102468		
Qty.	10 pc(s).		
Type	PV-STICK- VPE10	Version	
Order No.	<a href="#">1303490000</a>		Photovoltaics, Plug-in connector, PUSH IN connection, male
GTIN (EAN)	4050118102529		
Qty.	10 pc(s).		

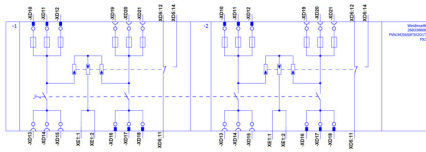
**Data sheet**

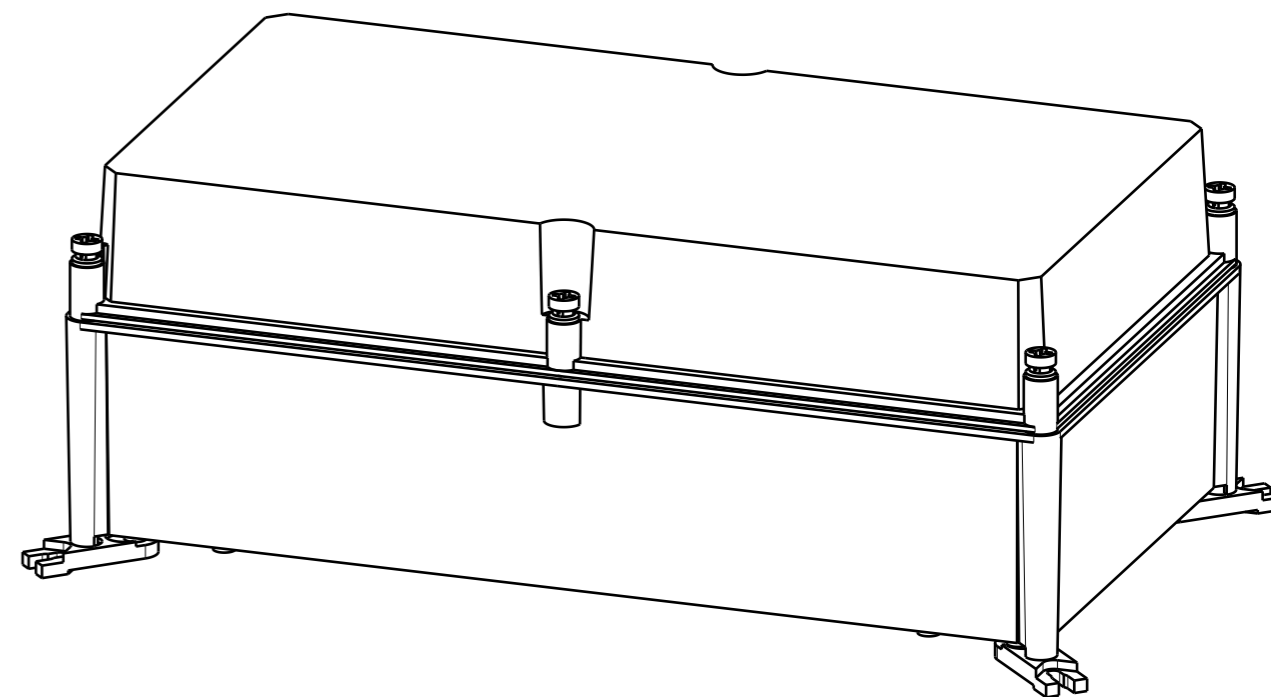
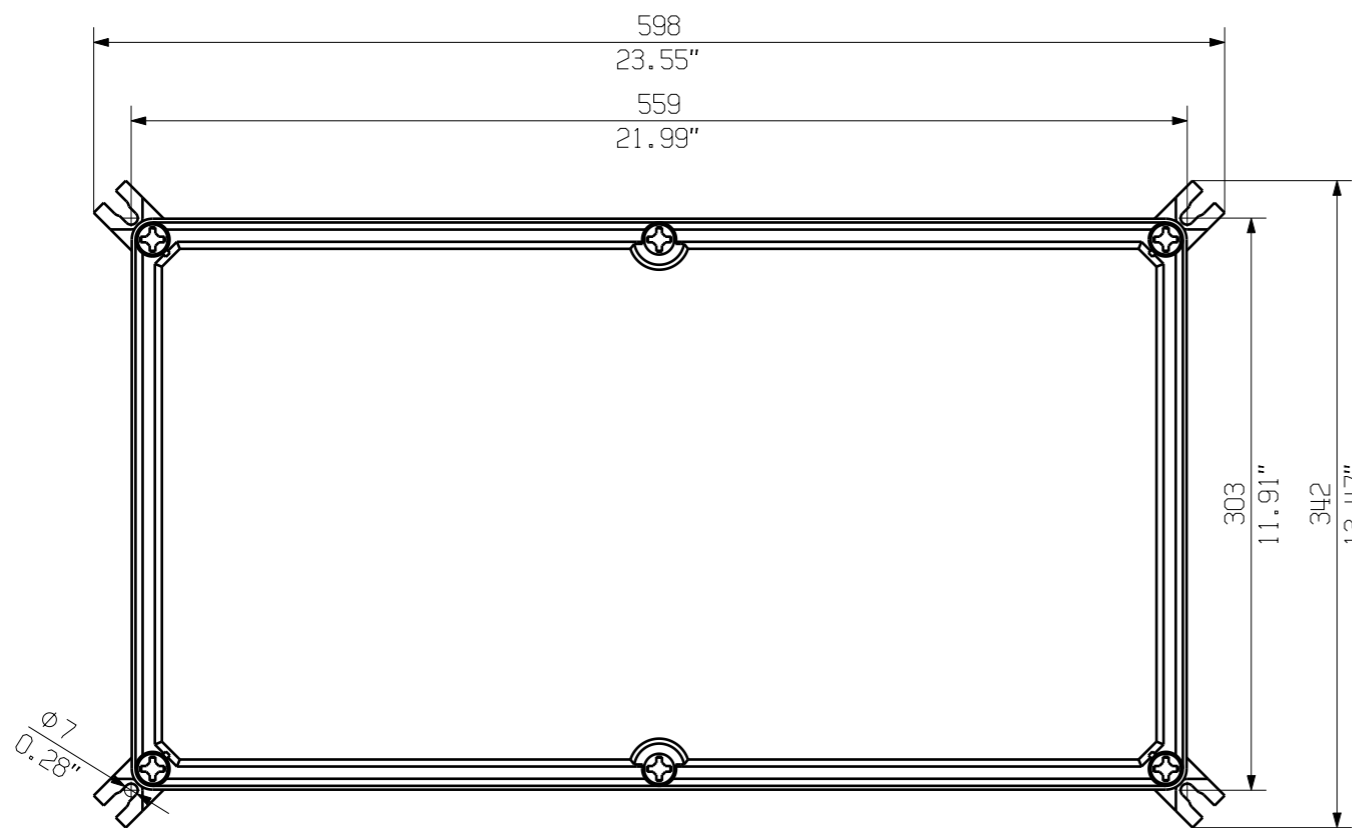
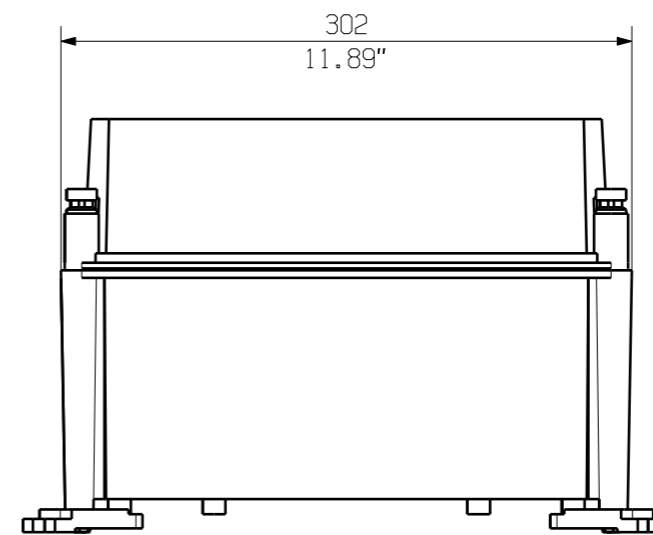
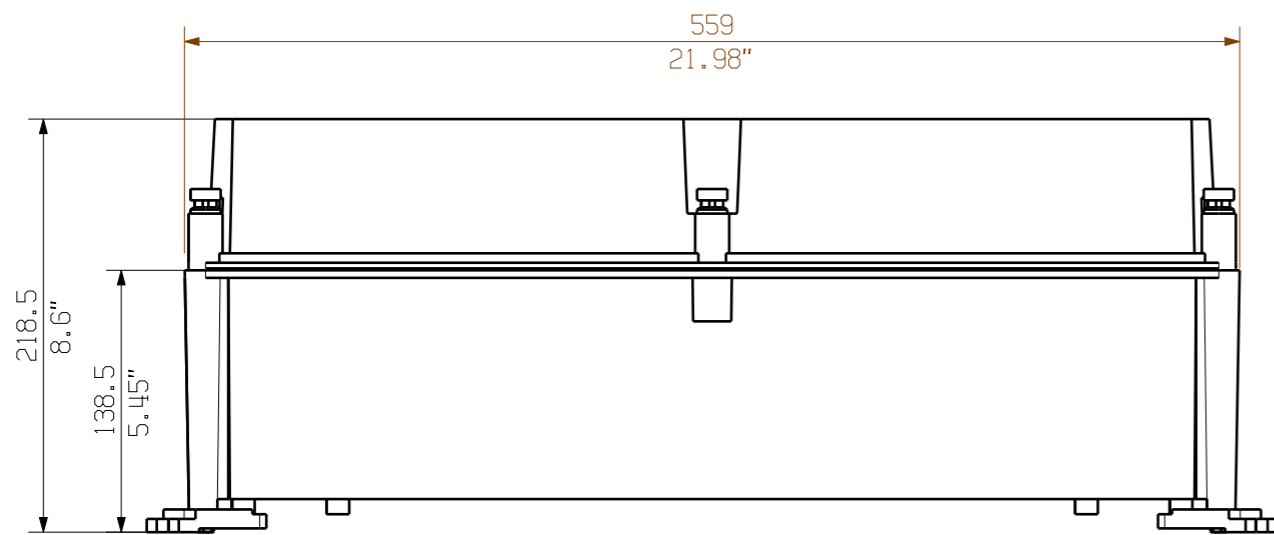
**PVN1M2I6S0F3V201TXPX10**

**Weidmüller Interface GmbH & Co. KG**  
Klingenbergstraße 26  
D-32758 Detmold  
Germany

[www.weidmueller.com](http://www.weidmueller.com)



**Drawings**





Darstellung mit Zubehoer  
Shown with accessory 0360800000 MF TBF

Nicht im Lieferumfang enthalten!  
Not included in delivery!

		Prim PLM Part No.: 1214838		Prim ERP Part No.:	
First Issue Date 28.01.2020		Max. nos. Modification		 <b>71727</b> <span style="float: right;">0</span> Drawing no. Issue no. Sheet 01 of 01 sheets	
		Drawn	28.01.2020	Brüntrup, Anna	
		Responsible		Wohlgemuth, Kl	
Scale: 1/4	Size: A3	Approved	31.01.2020	Püschner, Klau	
Drawings Customer				Product file:	

**PVN TBF 563021**  
COMBINERBOX RESIDENTIAL/COMMERCIAL  
COMBINERBOX RESIDENTIAL/COMMERCIAL