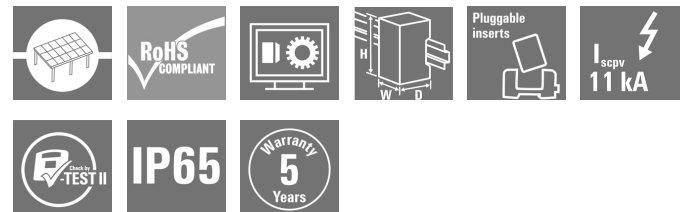


PVN DC 2I 1O 4MPP SPD1R WM4 11

Weidmüller Interface GmbH & Co. KG
 Klingenbergstraße 26
 D-32758 Detmold
 Germany

www.weidmueller.com



PV Next combiner boxes for inverters with 1 to 12 MPP trackers are used to protect the DC side of a photovoltaic system. The combiner boxes protect the inverter against overvoltages and thus comply with the European Directive EN 51543-32. In addition, these products offer the possibility to protect the system against reverse currents and the possibility to combine strings to save cables during installation.

General ordering data

Version	Photovoltaics, Combiner Box, 1000 V, 4 MPP's, 2 Inputs / 1 Output per MPP, Surge protection I / II, WM4C
Order No.	2737600000
Type	PVN DC 2I 1O 4MPP SPD1R WM4 11
GTIN (EAN)	4050118824872
Qty.	1 pc(s).
Replacement parts	2530600000 2534300000

Creation date April 24, 2024 11:10:35 AM CEST

Catalogue status 20.04.2024 / We reserve the right to make technical changes.

PVN DC 2I 10 4MPP SPD1R WM4 11

Weidmüller Interface GmbH & Co. KG
 Klingenbergstraße 26
 D-32758 Detmold
 Germany

www.weidmueller.com

Technical data

Dimensions and weights

Depth	175 mm	Depth (inches)	6.89 inch
Height	334 mm	Height (inches)	13.15 inch
Width	372 mm	Width (inches)	14.646 inch
Net weight	4,812 g		

Temperatures

Ambient temperature	-40 °C...+45 °C	Humidity	5 - 90 %, no condensation
---------------------	-----------------	----------	---------------------------

DC string monitoring

Monitoring function	Non monitored
---------------------	---------------

Approvals and norms

Approvals	EN 61439-2, IEC 61439-2
-----------	-------------------------

Guarantee

Time interval	5 years
---------------	---------

Electrical characteristics

Current per Maximum Power Point, max. 30 A			
Rated DC current per connection	Current per string, max.	30 A	
Rated short-term current resistance	Rated current	37.5 A	
Rated DC voltage	1,000 V		

Enclosure

Connection type string	Plug WM4C	Enclosure attachment	Via mounting feet
Impact resistance	IK08 in accordance with IEC 62208, IK10 in accordance with IEC 62262	Insulating material	Polyester glass-fibre reinforced, Polycarbonate
Switch disconnecter execution	no switch	Type of mounting	Wall mounting, 4 screws

General data

Installation location	Protected outdoor area (Land and Sea)	Protection degree	IP65
-----------------------	---------------------------------------	-------------------	------

Inputs

Amount of maximum power points	4 MPP		
DC Input + & -	Wire connection	Type of connection	WM4C plug-in connector
		Compatible cable cross-section	EN 50618:2015, TÜV 2 Pfg 1169/08.07
		Wire cross-section, min.	4 mm ²
		Wire cross-section, max.	6 mm ²
	Cable entry	Number of cable entries	8

PVN DC 2I 10 4MPP SPD1R WM4 11

Weidmüller Interface GmbH & Co. KG
 Klingenbergstraße 26
 D-32758 Detmold
 Germany

www.weidmueller.com

Technical data

Functional earth connector	Cable entry	Number of cable entries	1
		Cable diameter, min.	5
		Cable diameter, max.	10
		Cable glands	M 16
	Wire connection	Type of connection	Screw connection
		Flexible, max. H05(07) V-K	25 mm ²
	w. wire end ferrule, DIN 46228 pt 1, max.	16 mm ²	
Fuse type	Neither fuse cartridge nor holder		
Max. number of DC inputs	per Maximum Power Point 2 inputs connected in parallel		
Surge protection auxiliary contact	Cable entry	Cable diameter, min.	5
		Cable diameter, max.	10
		Cable glands	M 16
	Wire connection	Type of connection	Tension clamp connection with actuator
		Flexible, max. H05(07) V-K	1.5 mm ²
		w. wire end ferrule, DIN 46228 pt 1, max.	1.5 mm ²

Outputs

DC Output + & -	Wire connection	Type of connection	WM4C plug-in connector
		Compatible cable crossection	TÜV 2 Pfg1169/08.07, EN 50618:2015
		Wire cross-section, min.	4 mm ²
		Wire cross-section, max.	6 mm ²

Max. number of DC outputs per Maximum Power Point 1 output

Surge protection DC side

Discharge current I_n (8/20 μ s)	20 kA	Discharge current, max. (8/20 μ s)	40 kA
Lightning test current I_{imp} (10/350 μ s)	6.25 kA	Maximum continuous operating voltage DC UCPV mode +/-, -/PE, +/-PE	1,100 V
PV system voltage, max. U_{cpv}	1,100 V	Protection level U_p (+/-, -/PE, +/-PE)	≤ 3.8 kV
Protection level U_p (+/-)	≤ 3.8 kV	Protection level U_p (+/PE)	≤ 3.8 kV
Protection level U_p (-/PE)	≤ 3.8 kV	Requirements class	Type I/II
Short-circuit current I_{SCPV}	11,000 A	Standby power consumption P_C	< 0.2 W
Total discharge current I_{total} (8/20 μ s)	50 kA	Total discharge current I_{total} (10/350 μ s)	12.5 kA

Classifications

ETIM 6.0	EC002928	ETIM 7.0	EC002928
ETIM 8.0	EC003857	ETIM 9.0	EC003857
ECLASS 9.0	22-57-92-03	ECLASS 9.1	22-57-02-90
ECLASS 10.0	22-57-02-90	ECLASS 11.0	22-57-02-92
ECLASS 12.0	22-57-02-92	ECLASS 13.0	22-57-02-92

PVN DC 2I 10 4MPP SPD1R WM4 11

Weidmüller Interface GmbH & Co. KG
Klingenbergstraße 26
D-32758 Detmold
Germany

www.weidmueller.com

Technical data

Tender specification sheets

Long specification

Combiner box for inverters with 4 MPP tracker, suitable for protecting the DC side of a photovoltaic system according to EN 51543-32.

MPP1:
2 inputs, connection via WM4 C connector, compatible with cable type TÜV 2 Pfg1 169/08.07 / EN 50618:2063
1 output, connection via WM4 C connector, compatible with cable type TÜV 2 Pfg1 169/08.07 / EN 50618:2063
MPP2 to 4:
identical to MPP1

Max. string voltage Uoc:
1000V
1 class/type I + II combined arrester with signal contact
Connection of the signal contact via cable glands (8-12mmØ) max. conductor cross-section: 1.5mm²
Connection of the functional earth via cable glands (8-12mmØ) Conductor cross-section: 16-25mm²
Protection class: IP65
All built into a glass fibre reinforced polyester housing. Dimensions HxWxD: 334x372x175 mm

Approval according to low voltage switchgear and controlgear IEC 61439-1:2011 and EN 61439-2:2011

Environmental Product Compliance

REACH SVHC	Lead 7439-92-1
SCIP	bdab5698-6a20-4370-8e28-8810d882d01a

Important note

Product information	The SCIP number was assigned due to a lead content of more than 0.1 % of the net weight. Safe use instruction according to ECHA: The identification of the hazardous substance is sufficient to allow safe use of the article throughout its life cycle, including the service life, disassembly and waste/recycling phase
---------------------	--

PVN DC 2I 10 4MPP SPD1R WM4 11

Weidmüller Interface GmbH & Co. KG
 Klingenbergstraße 26
 D-32758 Detmold
 Germany

www.weidmueller.com

Technical data

Approvals

Approvals



Downloads

Approval/Certificate/Document of Conformity

[EU Declaration of Conformity](#)

Engineering Data

[CAD data – PV Next Schematic Diagram 2in1](#)

[CAD data – STEP](#)

Technical Documentation

[Customer Drawing](#)

User Documentation

[Manual PV Next String Combiner Box](#)

[MANUAL PV NEXT IT/ES/FR](#)

White paper

[Fact Sheet DE PV CB Wie man Gebäude gegen Blitzschläge schützt](#)

[Fact Sheet DE PV Wie man die Lebensdauer eines GAK verlängert](#)

[Fact Sheet DE PV CB Wann Sicherungen zu installieren sind](#)

[Fact Sheet DE CB PV NEXT](#)

[Fact Sheet EN PV CB When DC fuses are mandatory to install](#)

[Fact Sheet EN CB PV NEXT](#)

[Fact Sheet EN PV How to protect buildings against lightning strikes](#)

[Fact Sheet EN PV How to extend the life time of a Combiner Box](#)

[Fact Sheet DE CB PV Strings kombinieren](#)

[Fact Sheet DE PV CB Richtig verbinden](#)

[Fact Sheet EN CB Combining PV strings](#)

[Fact Sheet EN PV CB connection](#)

[Fact Sheet EN PV Combiner Box earthing](#)

[Fact Sheet DE PV Combiner Box Erdung](#)

Catalogues

[Catalogues in PDF-format](#)

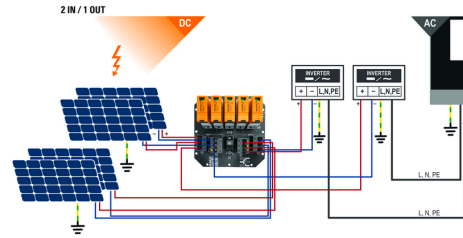
PVN DC 2I 10 4MPP SPD1R WM4 11

Weidmüller Interface GmbH & Co. KG
 Klingenbergstraße 26
 D-32758 Detmold
 Germany

www.weidmueller.com

Drawings

PCB design



PVN 1 M2 I6 S0 F3 V1 Q1 TX PX 10	
Series	Voltage
PVN = PV Next	10 = 1kV
VPU = PV Protect	11 = 1.1kV
	15 = 1.5kV
Level	Power supply
1 = DC trunk box (L1)	x = n/a
Series	Monitoring
1 = 1 MPPT supported	x = n/a
2 = 2 MPPT supported	
3 = 3 MPPT supported	Output Type
4 = 4 MPPT supported	0 = EG
6 = 6 MPPT supported	1 = WMAC
	2 = MCA-Exp 2
Inputs	SPD
1..12 inputs	0 = TYP II
Switch	1 = TYP I+II
x = n/a	X = No SPD
0 = manual switch	Fuses
1 = remote switch	x = n/a
	3 = only fuse holders

PVN DC 2I 10 4MPP SPD1R WM4 11

Weidmüller Interface GmbH & Co. KG
Klingenbergstraße 26
D-32758 Detmold
Germany

www.weidmueller.com

Replacement parts

Spare Arrester



General ordering data

Type	VPU PV I+II 0 1000	Version
Order No.	2530600000	Surge voltage arrester, Low voltage, Accessories, Surge protection I /
GTIN (EAN)	4050118540819	II, Spare arrester
Qty.	9 pc(s).	
Type	VPU PV I+II 0M 1000	Version
Order No.	2534300000	Surge voltage arrester, Low voltage, Surge protection I / II, Spare
GTIN (EAN)	4050118545906	arrester
Qty.	9 pc(s).	

PVN DC 2I 10 4MPP SPD1R WM4 11

Weidmüller Interface GmbH & Co. KG
Klingenbergstraße 26
D-32758 Detmold
Germany

www.weidmueller.com

Accessories

PV Sun Covers



General ordering data

Type	PV SUN COVER 37/30/18	Version
Order No.	8000087024	Photovoltaics
GTIN (EAN)	4064675845171	
Qty.	1 pc(s).	

Cutting tools



Cutting tools for conductors up to 8 mm, 12 mm, 14 mm and 22 mm outside diameter. The special blade geometry allows pinch-free cutting of copper and aluminium conductors with minimum physical effort. The cutting tools (KT 8 to KT 22) also come with VDE and GS-tested protective insulation up to 1,000 V in accordance with EN/IEC 60900.

General ordering data

Type	KT 14	Version
Order No.	1157820000	Cutting tools, Cutting tool for one-hand operation
GTIN (EAN)	4032248945344	
Qty.	1 pc(s).	

PVN DC 2I 10 4MPP SPD1R WM4 11

Weidmüller Interface GmbH & Co. KG
Klingenbergstraße 26
D-32758 Detmold
Germany

www.weidmueller.com

Accessories

PV-Stick field connectors



Faster is better. This also applies to the cabling of solar systems. Our handy connectors stay firmly in your grip even in frosty temperatures and can be installed very quickly and easily without a crimping tool.

You don't need crimp contacts and crimping tools and you avoid assembly errors. This saves up to 50% installation time – without affecting quality. The new photovoltaic connectors are TÜV-approved and comply with IEC 62852.

Our "PUSH IN" technology enables safe connections with minimal effort – insert, turn: current!

- 1.500 V DC (DE) / 1,500 V DC (EN)
- PUSH IN technology
- Standard-compliant quality in accordance with IEC 62852
- Ergonomic, prize-winning design
- Fastest PV connector currently available
- Reliable latching

General ordering data

Type	PV-STICK- VPE10	Version
Order No.	1303490000	Photovoltaics, Plug-in connector, PUSH IN connection, male
GTIN (EAN)	4050118102529	
Qty.	10 pc(s).	
Type	PV-STICK+ VPE10	Version
Order No.	1303450000	Photovoltaics, Plug-in connector, PUSH IN connection, female
GTIN (EAN)	4050118102468	
Qty.	10 pc(s).	

Tools



- For flexible and solid conductors with special insulating materials
- High-quality stripping for industrial applications (complies with aircraft industry requirements)
- Specially shaped blades enable stripping of special types of insulation and conductor configurations
- Stripping length adjustable via end stop
- Very versatile thanks to interchangeable stripping units
- Stripping results reproduced accurately over and over again
- No damage to the conductor
- A long-lasting, reliable tool thanks to its sturdy design
- Integrated cutting function

General ordering data

Type	MULTI-STRIPAX PV	Version
Order No.	1190490000	Photovoltaics, Plug-in connector
GTIN (EAN)	4032248973262	
Qty.	1 pc(s).	

PVN DC 2I 10 4MPP SPD1R WM4 11

Weidmüller Interface GmbH & Co. KG
 Klingenbergstraße 26
 D-32758 Detmold
 Germany

www.weidmueller.com

Accessories

Crosshead screwdriver Phillips

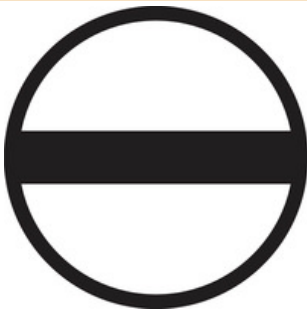


VDE insulated crosshead screwdriver, for Phillips screws, SDIK PH DIN 7438, ISO 8764/2-PH, output to ISO 8764-PH, SoftFinish grip

General ordering data

Type	SDIK PH3 X 150	Version
Order No.	2749910000	Screwdriver, Blade width (B): 3 mm, 150 mm, Blade thickness (A): 3
GTIN (EAN)	4050118897210	
Qty.	1 pc(s).	

Slotted screwdriver



VDE insulated slot-head screwdriver, SDI DIN 7437, ISO 2380/2, drive grip output acc. to DIN 5264, ISO 2380/1. SoftFinish grip

General ordering data

Type	SDIS 1.0X5.5X125	Version
Order No.	2749850000	Screwdriver, Blade width (B): 5.5 mm, Blade length: 125 mm, Blade thickness (A): 1 mm
GTIN (EAN)	4050118897050	
Qty.	1 pc(s).	
Type	SDIS 0.6X3.5X100	Version
Order No.	2749810000	Screwdriver, Blade width (B): 3.5 mm, Blade length: 100 mm, Blade thickness (A): 0.6 mm
GTIN (EAN)	4050118897012	
Qty.	1 pc(s).	

PVN DC 2I 10 4MPP SPD1R WM4 11

Weidmüller Interface GmbH & Co. KG
 Klingenbergstraße 26
 D-32758 Detmold
 Germany

www.weidmueller.com

Accessories

Accessories



The dust protection cap "Dustcap VSSO" protects the Weidmüller and type 4 solar connectors against dust and dirt.

The "SafetyClip" protects the Weidmüller solar connectors against unintentional opening and can only be released using the special multi-tool.

General ordering data

Type	VSSO WM4 C	Version
Order No.	1254870000	Photovoltaics, Flat design
GTIN (EAN)	4050118047479	
Qty.	100 pc(s).	

Y-Connector Cables



The Y or X cable is used to connect three or four elements of a PV system, such as the connection between PV panels, inverters and surge protection boxes. The cables are available in different connection variants.

General ordering data

Type	PVHYM-M-XXXX6W+15	Version
Order No.	2877850000	Photovoltaics, Y-Connector Cable, 1x WM4 C Female, 2x MC4 Male,
GTIN (EAN)	4064675666417	6mm ² , 1500 V
Qty.	1 pc(s).	
Type	PVHYM+M+XXXX6W-15	Version
Order No.	2877860000	Photovoltaics, Y-Connector Cable, 1x WM4 C Male, 2x MC4 Female,
GTIN (EAN)	4064675666424	6mm ² , 1500 V
Qty.	1 pc(s).	

PVN DC 2I 10 4MPP SPD1R WM4 11

Weidmüller Interface GmbH & Co. KG
Klingenbergstraße 26
D-32758 Detmold
Germany

www.weidmueller.com

Accessories

External fixing lugs



The enclosures of the TBF series are made of extremely tough glass fibre-reinforced polyester. These enclosures are ideal for applications that call for low weight coupled with high shock resistance. The weather-resistant TBF enclosures are designed for a wide range of applications. Together with their comprehensive range of accessories, they provide universal solutions for accommodating built-in items such as regulators, measuring instruments, valves and other equipment.

Features:

- 9 sizes in 2 versions, with grey and transparent lids
- Cover with nylon screws
- Fixing holes outside the sealed area
- Thread for fitting to terminal rails and mounting plates
- Comprehensive accessories
- Weidmüller can manufacture and supply this enclosure to match customer specifications, fitted with all necessary terminals and cable glands.

General ordering data

Type	MF TBF	Version
Order No.	0360800000	TBF (polyester empty enclosure), Mounting foot, Fixing lugs, Height:
GTIN (EAN)	4008190108595	72.5 mm, Width: 24 mm, Depth: 12 mm, Material: Polyamide, Deep
Qty.	1 pc(s).	black

UV-resistant cable ties



UV-resistant polyamide 6.6 ensures long durability of our special cable ties even with strong UV radiation. Ideal for continuous outdoor use.

General ordering data

Type	CB-UVR 290/4,5 BK	Version
Order No.	2659350000	Cable ties, 4.5 x 290 mm, Polyamide 66, 220 N
GTIN (EAN)	4050118682816	
Qty.	100 pc(s).	

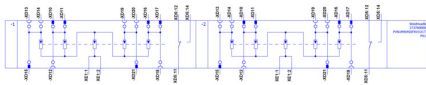
Data sheet

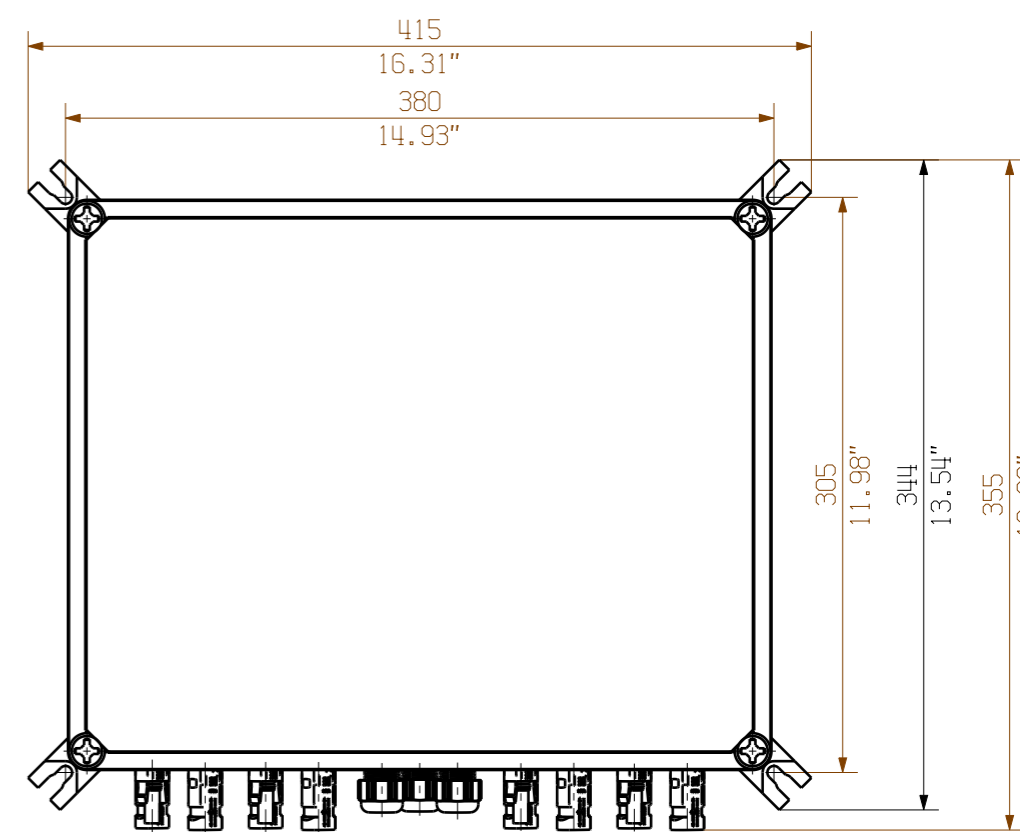
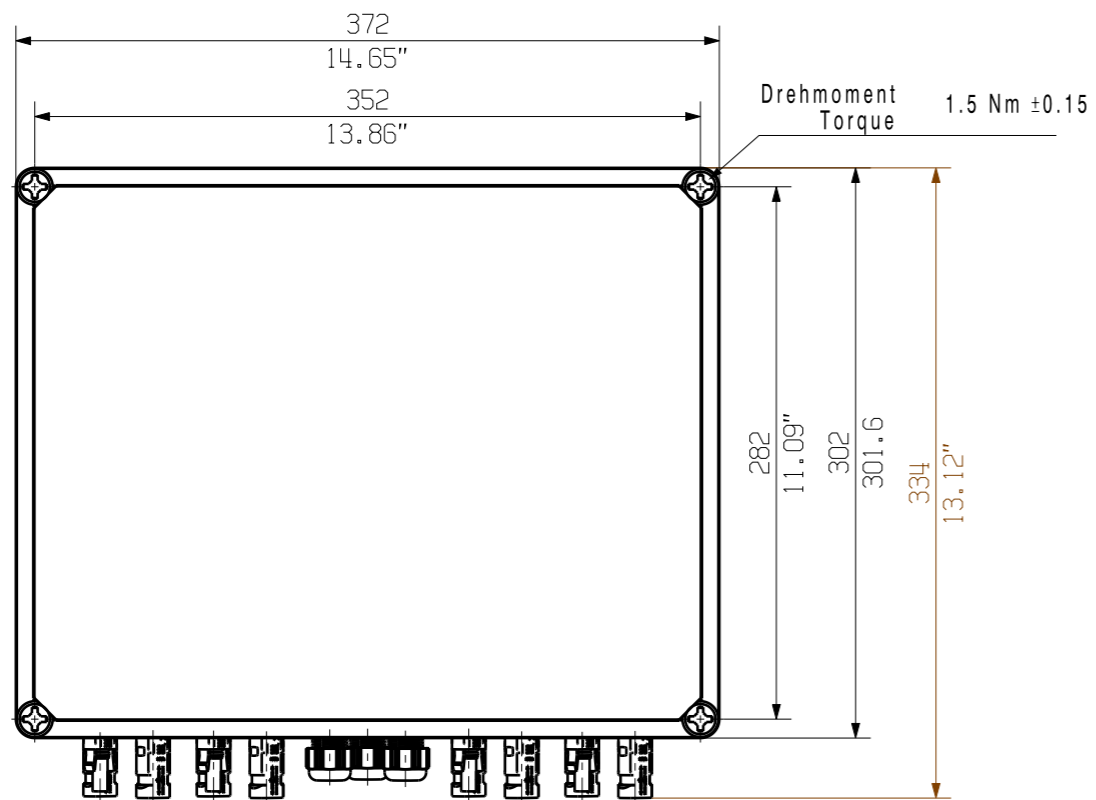
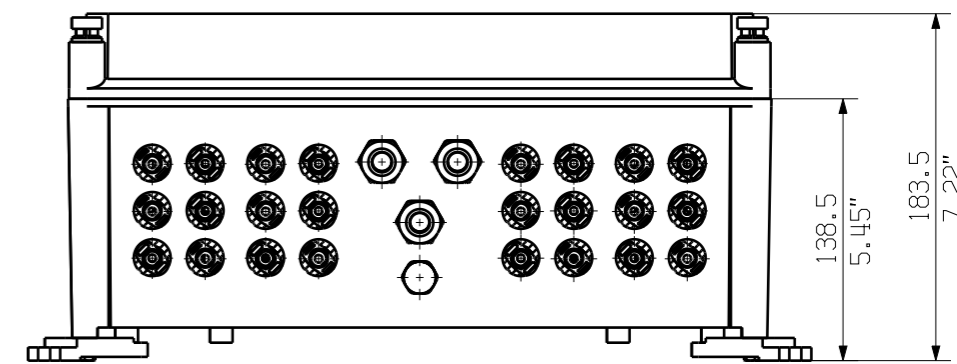
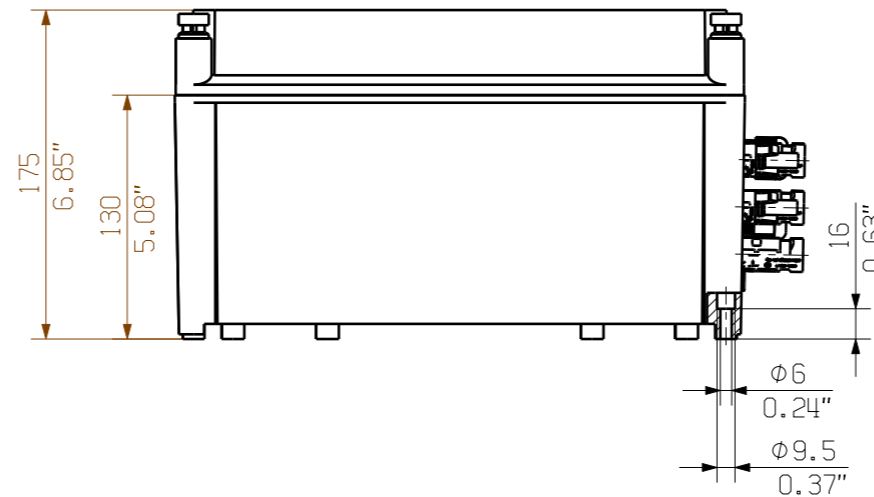
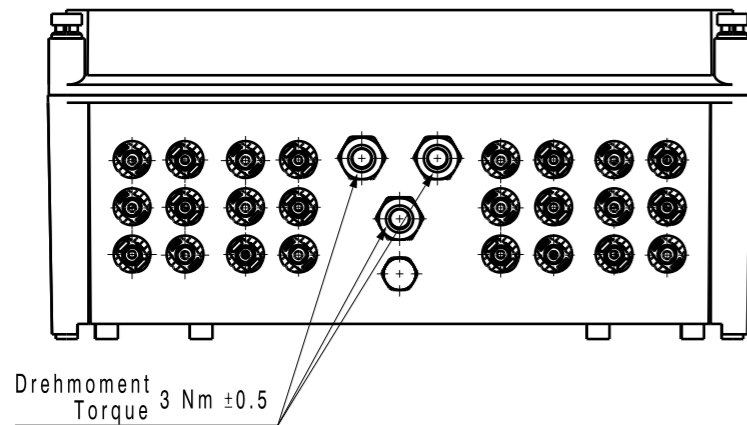
PVN DC 2I 10 4MPP SPD1R WM4 11

Weidmüller Interface GmbH & Co. KG
Klingenbergstraße 26
D-32758 Detmold
Germany

www.weidmueller.com

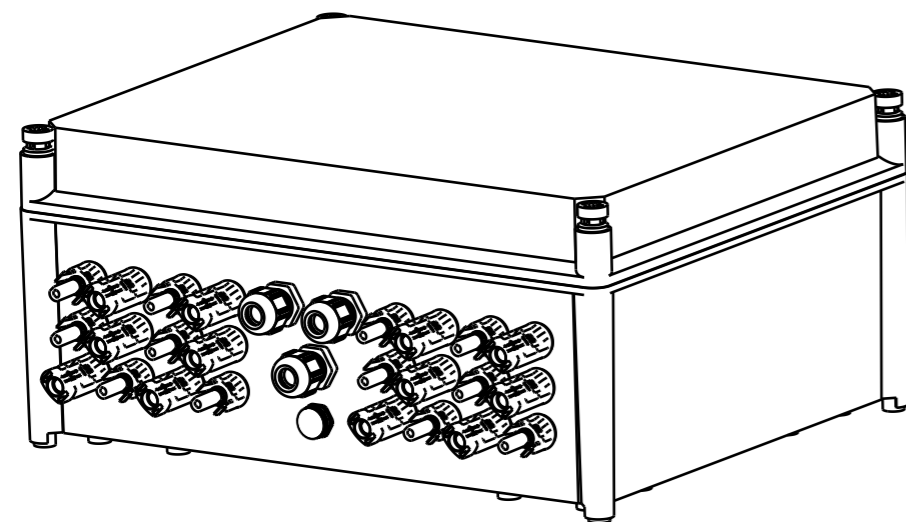
Drawings





Darstellung mit Zubehoer
Shown with accessory 0360800000 MF TBF

Nicht im Lieferumfang enthalten!
Not included in delivery!



EC00004112	Prim PLM Part No.: 1230340	Prim ERP Part No.: 2737600000
First Issue Date 02.04.2020	Max. nos. Modification	Weidmüller
	Date 22.10.2020	Name Brüntrup, Anna
Scale: 1/4	Size: A3	Responsible Wohlgemuth, Kl
Drawing customer	Approved 22.10.2020	Name Püschner, Klau
		72147 1
		Drawing no. 72147 Issue no. 1
		Sheet 03 of 03 sheets
2737600000 PVN1M4I8SXFV101TXX10		
Combinerbox Residential/Commercial Combinerbox Residential/Commercial		
Product file:		