



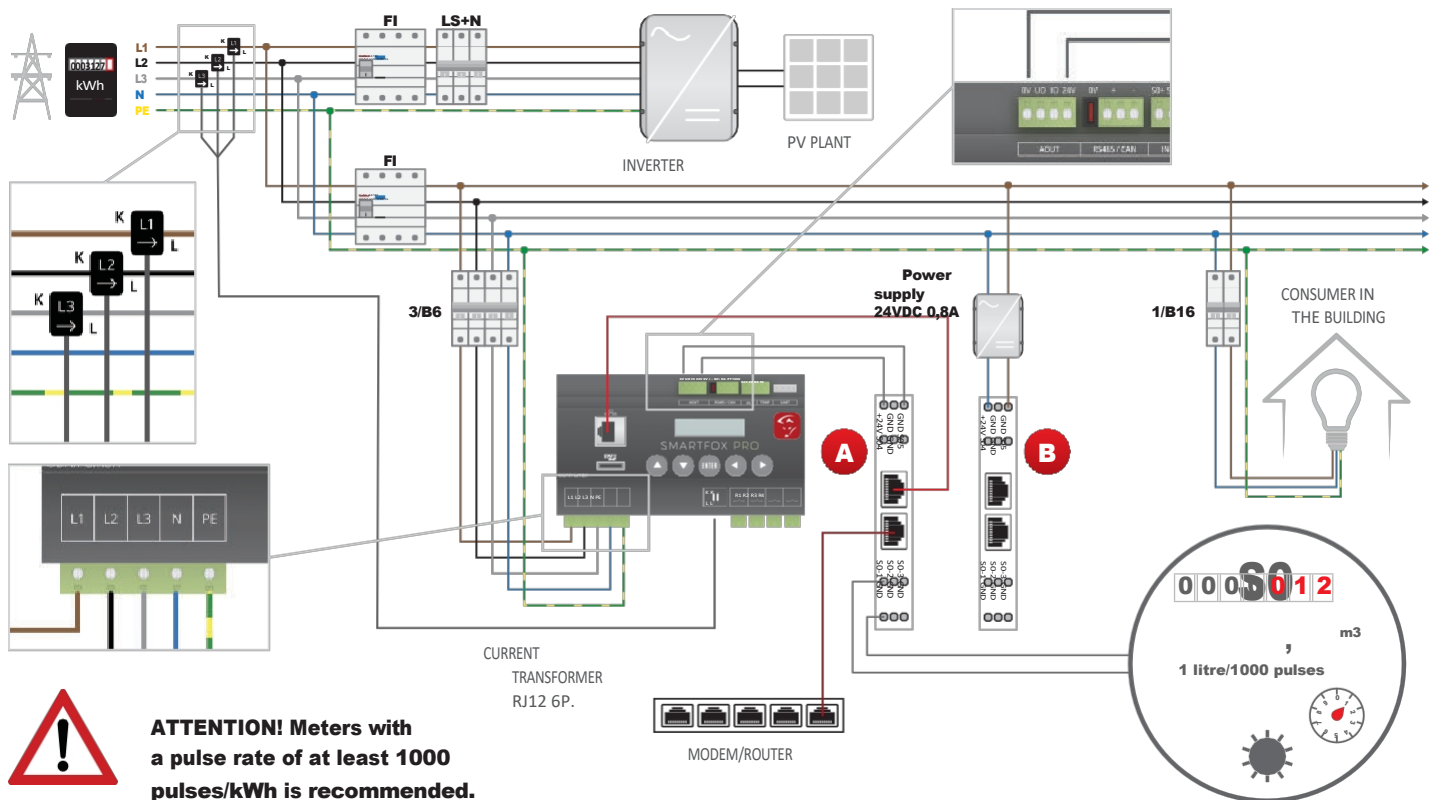
SMARTFOX

INSTRUCTION SMARTFOX Meter

Options

A. If the SMARTFOX Meter is operated with a SMARTFOX PRO, the power can be supplied directly via the 24V output of the SMARTFOX PRO.

B. If the 24V output of the SMARTFOX PRO is already used for the power supply of a power controller 3-phase or the SMARTFOX Meter without SMARTFOX PRO, an external 24V DC 0.8A power supply unit is mandatory.



Connection SMARTFOX Meter:

1. Connect the network cable from the router/switch to the SMARTFOX Meter.
2. In the next step, connect the 24V DC supply voltage and the GND of the voltage source.
3. Depending on the application, connect the individual S0 inputs S01 to S05 with their corresponding GND connections.

ATTENTION! Meters with a pulse rate of at least 1000 pulses/kWh are recommended.

Integration of SMARTFOX meters into monitoring:

To determine the MAC address, open the Internet browser and enter the following address <http://dafi-meter>.

www.smartfox.at

DATUM: 2017/07/12, ZEIT: 08:45:14

MAC ADRESSE: 001EC08472AF, FW: 5xS0_eth 1v4

Input1 counter: 467

Input2 counter: 3322

Input3 counter: 2510

Input4 counter: 0

Input5 counter: 0

IMPORTANT! PC and SMARTFOX Meter must be connected to the same network.

If the SMARTFOX Meter has a functioning Internet connection, the network parameterisation opens.
(can take up to 15min after connecting the power supply).

Under "Settings", a static Ip address can be assigned to the SMARTFOX Meter.

To do this, click on DHCP - static and enter the desired IP address, netmask and gateway. DHCP - dynamic is selected by default. The SMARTFOX Meter will then automatically search for a free IP address.

Settings:

DHCP: dynamic
 static

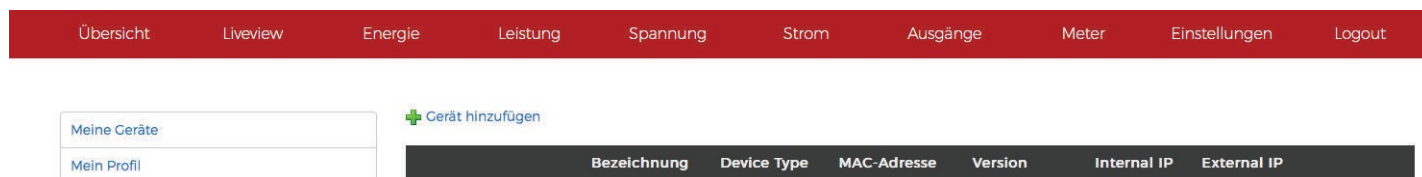
IP Adresse:

Netmask:

Gateway:

Copy the MAC address and open my.smartfox.at. Log in with your existing account or create a user.

Click Settings > My Devices > Add Device.



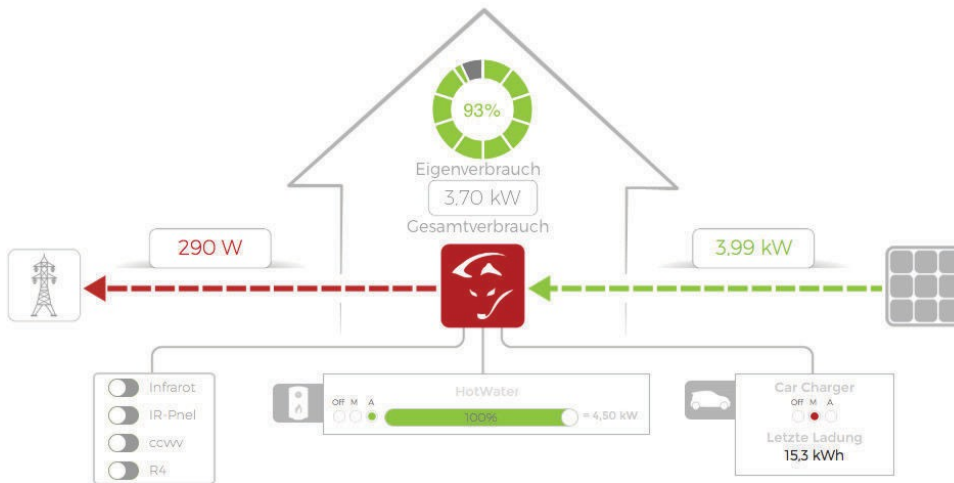
1. Enter a name for the device under "Designation", e.g. SMARTFOX Meter.
2. Paste the MAC address you copied earlier.
3. Select SMARTFOX Meter under "Device group".
4. In the item "Assign SMARTFOX", the SMARTFOX Meter can be assigned to a SMARTFOX Reg.
5. Set the number of occupied SO inputs.
6. Set the name, colour and unit of the input.
7. Enter the pulse rate and the date from which the counter is active.

Additional parameters

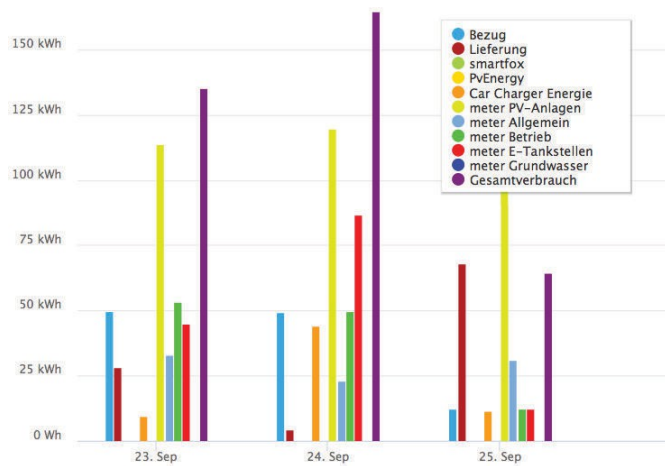
- A. If the check mark "Activate as PV system" is set, the input is displayed as a PV system in the live view. In addition, the production data of the PV system is displayed in the energy diagram.
- B. If the check mark "Activate power display" is set, the input is displayed in the power diagram.
- C. If the meter is changed to a new one with a different pulse rate, a new pulse rate can be added from this date.

SMARTFOX Meter Monitoring:

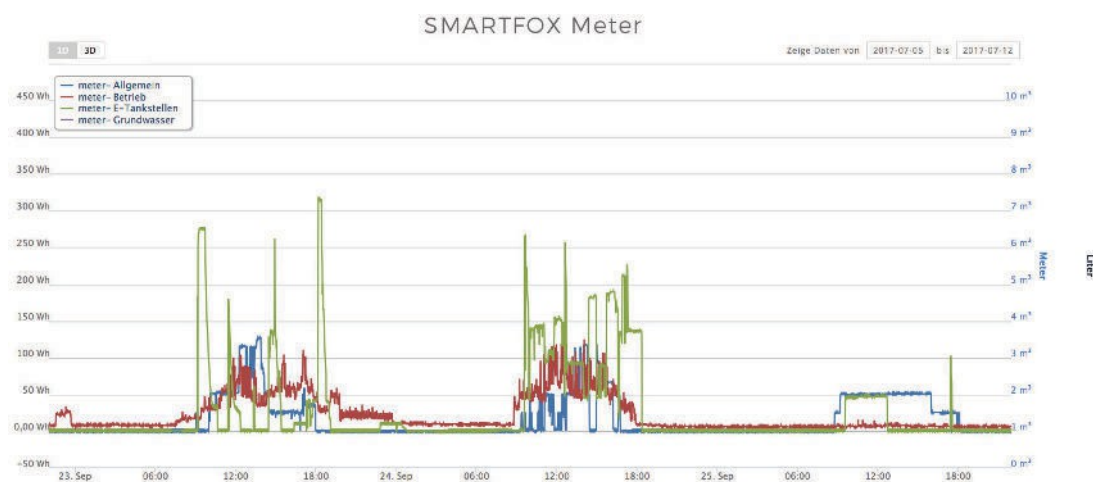
Liveview



Energy diagram



Power diagram



DAfi GmbH

Niedernfritzerstraße 120
A-5531 Eben im Pongau

Support +43 (0) 6458 / 20 160